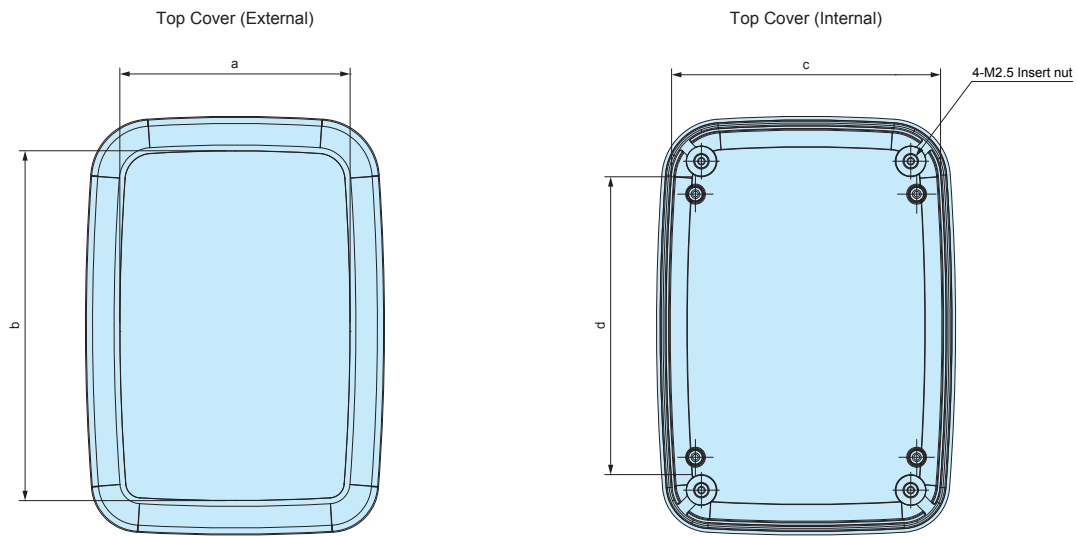
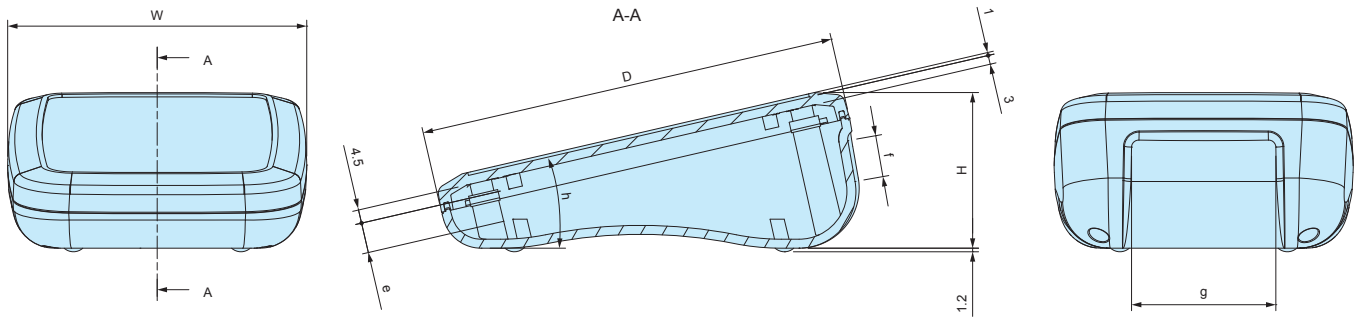


WSC dimensions

■ Drawings below are reference examples only.  
DXF/DWG/PDF drawings available on our website.

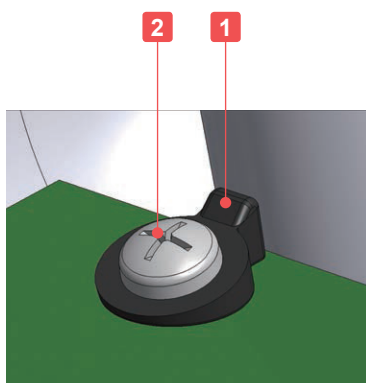


Product no. / Dimensions

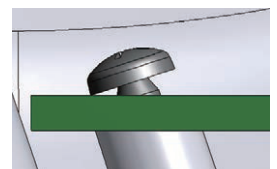
Product no.		Dimensions										Face angle	
● Off white	● Black	W	D	H	a	b	c	d	e	f	g	h	
<b>NEW</b> WSC10-14-5W	<b>NEW</b> WSC10-14-5B	100	140	52	77	117	87	100	10	13.9	48.2	13°	
<b>NEW</b> WSC10-14-7W	<b>NEW</b> WSC10-14-7B	100	140	72	77	117	87	100	22	27.4	48.2	18°	
<b>NEW</b> WSC14-14-5W	<b>NEW</b> WSC14-14-5B	140	140	52	117	117	128	100	10	13.8	80.5	13°	
<b>NEW</b> WSC14-14-7W	<b>NEW</b> WSC14-14-7B	140	140	72	117	117	128	100	22	27.4	80.5	18°	
<b>NEW</b> WSC18-14-5W	<b>NEW</b> WSC18-14-5B	175	140	52	152	117	163	95	11.3	13.8	103.5	13°	
<b>NEW</b> WSC18-14-7W	<b>NEW</b> WSC18-14-7B	175	140	72	152	117	163	95	23.7	27.4	103.5	18°	

WSP-M2.3

INCLINED SPACER



- Due to the sloped shape of the WSC series, boss-tops are also angled. So when mounting PCB on, some gap between the screw head and PCB surface will be generated as shown the diagram. WSP-M2.3 helps to fill the gap.
- EM-2.3-8 as PCB mounting screws are available for bosses in bottom base. (See page 22)



Components

No.	Part name	Pcs	Material	Color / Finish
1	Inclined spacer	4	POM	Black
2	Screw (Tapping M2.3-8)	4	Steel	Trivalent chromate

■ Torque 0.1N · m

Product no. / Details

Product no.	Suitable enclosures	Pcs
<b>NEW</b> WSP-M2.3	WSC (for bottom base PCB boss)	4