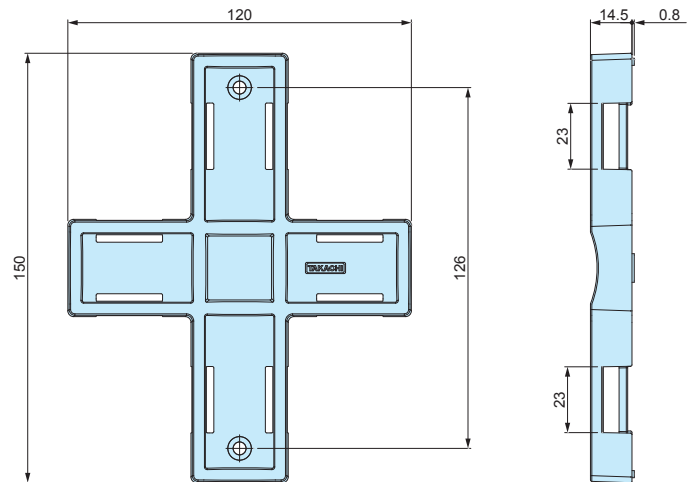
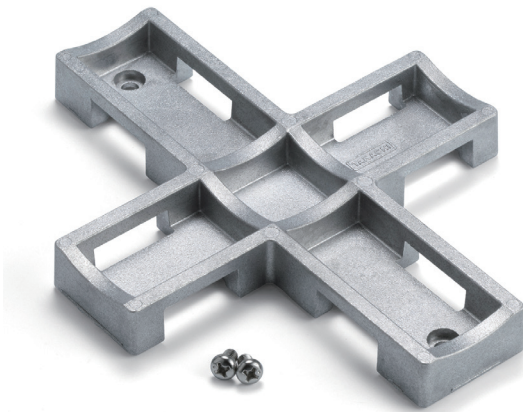


# WGMB-2N

# DIECAST ALUMINIUM POLE MOUNTING BRACKET for WG • WGV



■ DXF/DWG/PDF/STP drawings available on our website.

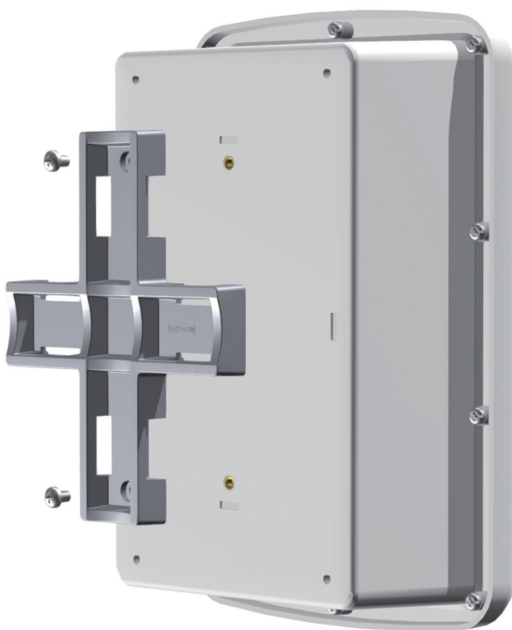
- Pole mount bracket made from robust diecast aluminium.
- Hole milling is not required when installing the mount bracket, thus allowing the enclosure to maintain its protection class.
- Can be used for WG • WGV17-25-□, WG • WGV23-25-□ models.
- Pole mounting belt can be installed in either W or D direction.
- Pole mount is possible with the use of SNB or PKB series mounting belt. (See page 323 ~ 324)

### Product no. / Details

■ Stainless steel mounting screws included.

Product no.	Suitable models	Material / Finish	Weight (g)	Pack of
WGMB-2N	WG • WGV17-25-□ WG • WGV23-25-□	Diecast aluminium ADC12 / Shot blast	126	1

### Installation example



Vertical mounting

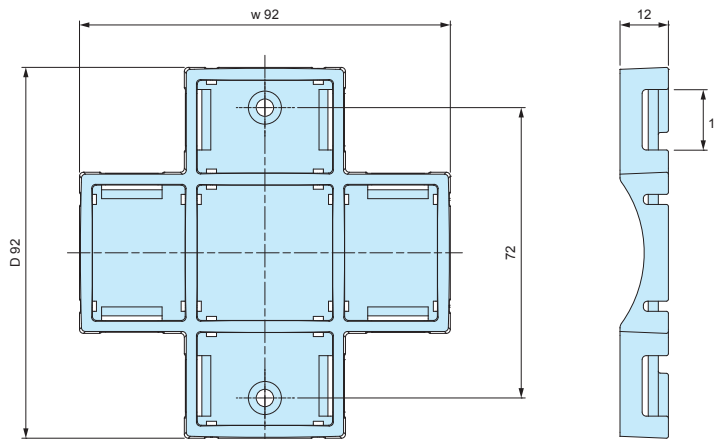
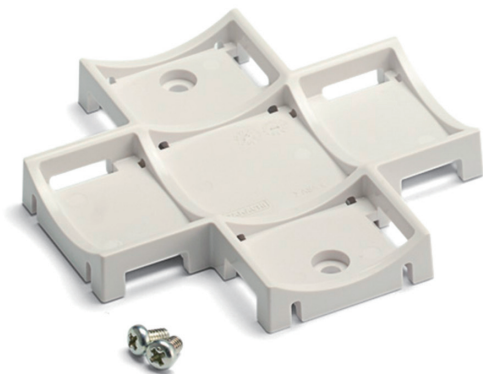


Horizontal mounting



# WPMB-M4-2 POLE MOUNTING BRACKET

WPMB-M4-2 dimensions



■ DXF/DWG/PDF/STP drawings available on our website.

- Pole mount bracket made from weather resistant ASA material.
  - Pole mounting belt can be installed either W or D direction.
  - Pole mount is possible with the use of PKB series mounting belt. (See page 324)
  - Hole milling is not required when installing the mount bracket, thus allowing the enclosure to maintain its protection class.
- \*Stainless steel screw belt SNB series is not usable on WPMB-M4-2 series.

Color
White gray

**Product no. / Dimensions**

Product no.	Suitable models	Recommended torque (N · m)	Weight (g)	Pack of
WPMB-M4-2G	WG · WGV15-21-6, WG · WGV15-21-9	0.45 ~ 0.5	24	1

■ Recommended torque listed is for reference only; actual may differ. Assemble after testing torque.

**Installation example**



Vertical mounting

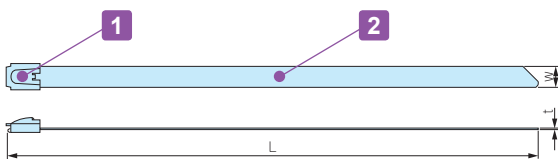


Horizontal mounting



SCT series

STAINLESS STEEL TIES for POLE MOUNTING



- Corrosion resistant stainless steel (SUS304) cable tie.
- Can be used to bundle cables or mounting enclosures to poles.
- Self-locking bracket allows easy mounting / cable bundling.
- Designed for one time use only (not reusable).
- Suitable for easy mounting.
- Wear gloves or other protections while installation.

Components

No.	Part name	Pcs	Material	Finish
1	Bracket	1	Stainless steel SUS304	Polished
2	Strap	1	Stainless steel SUS304	Polished

Product no. / Details

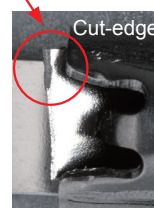
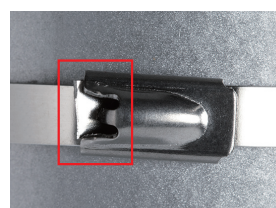
Product no.	W	L	t	Pack of
SCT 4.6- 100	4.6	100	0.25	10
SCT 4.6- 150	4.6	150	0.25	10
SCT 4.6- 200	4.6	200	0.25	10
SCT 4.6- 300	4.6	300	0.25	10
SCT 4.6- 500	4.6	500	0.25	2
SCT 4.6-1000	4.6	1,000	0.25	2
SCT 4.6-1500	4.6	1,500	0.25	2
SCT 7.9- 100	7.9	100	0.25	10
SCT 7.9- 150	7.9	150	0.25	10
SCT 7.9- 200	7.9	200	0.25	10
SCT 7.9- 300	7.9	300	0.25	10
SCT 7.9- 500	7.9	500	0.25	2
SCT 7.9-1000	7.9	1,000	0.25	2
SCT 7.9-1500	7.9	1,500	0.25	2

G3388

TIGHTEN GUN for SCT



- Tool for cutting and tightening stainless steel strap.
- \*Be careful of the sharp cut-edge of strap.



Note: Tighten gun is not subject to RoHS regulations.

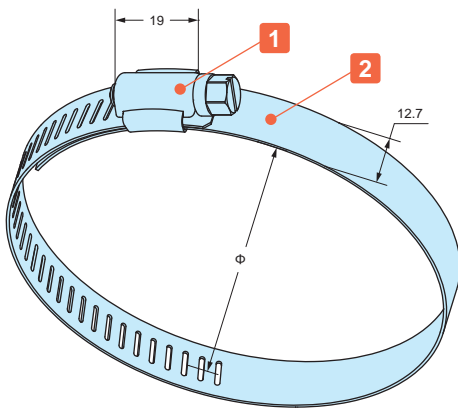
Product no.
G3388

SNB series

STAINLESS STEEL POLE MOUNTING STRAP



SNB dimensions



- Corrosion resistant stainless steel (SUS304) belt clamp.
- It can be installed securely by tightening the screw.
- 8 mm nut driver (box driver) is recommended for tightening. Minus screw driver can also be used.

Components

No.	Part name	Pcs	Material	Finish
1	Bracket	1	Stainless steel SUS304	Polished
2	Strap	1	Stainless steel SUS304	Polished

Product no. / Dimensions

Product no.	Applicable diameter (Φ)	Strap width	Strap thickness	Recommended torque N · m	Weight (g)	Pack of
SNB 52- 76	52 ~ 76	12.7	0.6	0.7 ~ 1.0	27.5	1
SNB 72- 95	72 ~ 95	12.7	0.6	0.7 ~ 1.0	30	1
SNB 91-114	91 ~ 114	12.7	0.6	0.7 ~ 1.0	34.5	1
SNB105-127	105 ~ 127	12.7	0.6	0.7 ~ 1.0	37.5	1
SNB117-140	117 ~ 140	12.7	0.6	0.7 ~ 1.0	39.5	1
SNB130-153	130 ~ 153	12.7	0.6	0.7 ~ 1.0	41.5	1
SNB142-165	142 ~ 165	12.7	0.6	0.7 ~ 1.0	43.5	1
SNB155-178	155 ~ 178	12.7	0.6	0.7 ~ 1.0	46.5	1
SNB168-191	168 ~ 191	12.7	0.6	0.7 ~ 1.0	49	1
SNB181-204	181 ~ 204	12.7	0.6	0.7 ~ 1.0	51	1
SNB194-217	194 ~ 217	12.7	0.6	0.7 ~ 1.0	52.5	1
SNB207-230	207 ~ 230	12.7	0.6	0.7 ~ 1.0	57	1
SNB220-243	220 ~ 243	12.7	0.6	0.7 ~ 1.0	59.5	1
SNB233-256	233 ~ 256	12.7	0.6	0.7 ~ 1.0	62.5	1
SNB246-269	246 ~ 269	12.7	0.6	0.7 ~ 1.0	64	1
SNB259-282	259 ~ 282	12.7	0.6	0.7 ~ 1.0	67.5	1
SNB272-295	272 ~ 295	12.7	0.6	0.7 ~ 1.0	70	1
SNB285-308	285 ~ 308	12.7	0.6	0.7 ~ 1.0	71	1

■ Recommended torque listed is for reference only; actual may differ. Assemble after testing torque.

SNB Strap required

Suitable series	Suitable models						Required
SSK series	SSK-S1	SSK-160	SSK-170	SSK-200	SSK-210	SSK-250	2
	SSK-280	SSK-300	SSK-350	SSK-400	SSK-530		
WGMB series	WGMB-1W						1

PKB series

POLE MOUNTING BELT



PKB-10PM, 10P



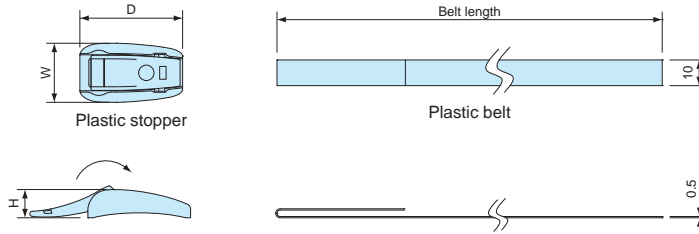
PKB-10S, 20S

- Pole mounting belt for attachment of enclosures with suitable pole mount brackets or construction onto poles.
- Designed for one time use only (not reusable).
- Strong stainless steel clamping type and easy installation plastic type are available.

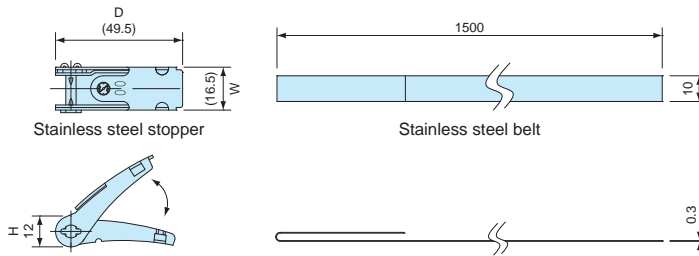
PKB dimensions

■ DXF/DWG/PDF drawings available on our website.

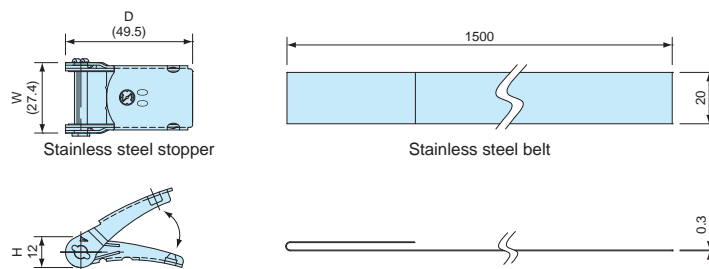
PKB-10PM, 10P



PKB-10S



PKB-20S



Components

No.	Part name	Material	Color / Finish
1	Stopper	Stainless steel SUS304 • POM	Barrel finish • Black
2	Belt	Stainless steel SUS430 • PET	Bright annealed finish • Gray

Product no. / Dimensions

Product no.	W	D	H	Belt length	Belt material	Tensile strength (horizontal)	Weight (g)	Pack of
PKB-10PM	24	23	11	500 mm	PET	0.8kN	14	2
PKB-10PM	23	40	11	1,500 mm	PET	1.3kN	31.8	2
PKB-10S	16.5	49.5	12	1,500 mm	Stainless steel SUS304	1.4kN	101.6	2
PKB-20S	27.4	49.5	12	1,500 mm	Stainless steel SUS430	2.9kN	182.2	2