

V series

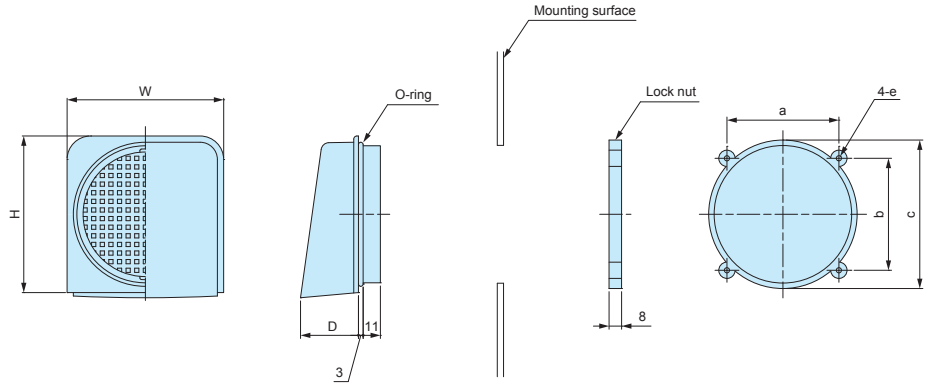
VENTILATION LOUVER



- Recommended for condensation prevention and heat dissipation.
- 2 models available : ABS V60, V80 match the color for BCAP and BCAR series, and polycarbonate V60S and V80S match the color for BCPC, BCPK, and BCAR series.
- Suitable to be used on a variety of enclosure types, series and models.

V dimensions

■ DXF/DWG/PDF drawings available on our website.



Product no. / Dimensions

| Product no. | Material | Color | Mount hole | W | H | D | a | b | c | e |
|-------------|---------------|------------|------------|-----|-----|------|------|------|------|------|
| V60 | ABS | White gray | Φ63 | 74 | 74 | 31.8 | 50.5 | 50.5 | 70 | Φ3.8 |
| V80 | ABS | White gray | Φ88 | 100 | 100 | 37 | 71.5 | 71.5 | 94.8 | Φ3.3 |
| V60S | Polycarbonate | Light gray | Φ63 | 74 | 74 | 31.8 | 50.5 | 50.5 | 70 | Φ3.8 |
| V80S | Polycarbonate | Light gray | Φ88 | 100 | 100 | 37 | 71.5 | 71.5 | 94.8 | Φ3.3 |

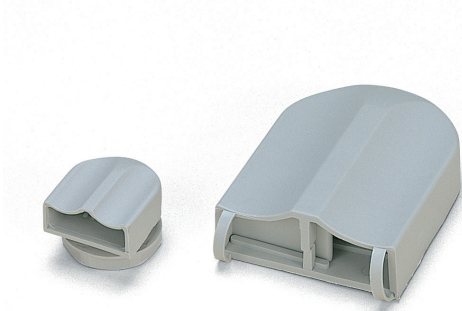
■ O-ring material : NBR / Black

VF series

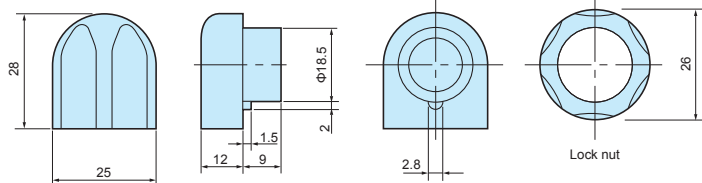
VENTILATION PARTS

VF dimensions

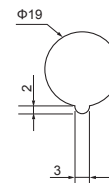
■ DXF/DWG/PDF drawings available on our website.



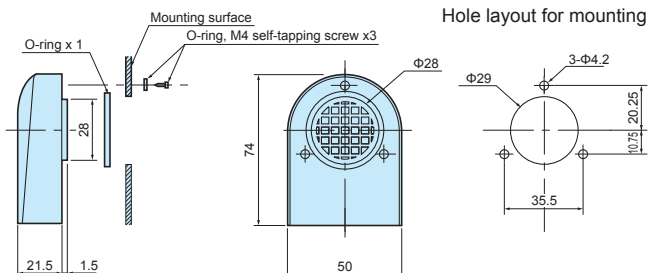
VF-1



Hole layout for mounting



VF-2



Hole layout for mounting

Technical Data

Protection class : VF-1 IP33
VF-2 IP24

Product no. / Dimensions

| Product no. | Material / Color |
|-------------|------------------------|
| VF-1 | Polyamide / White gray |
| VF-2 | Polyamide / White gray |