

NOTICE

TERMINAL BLOCK JUNCTION BOX - TMB Series Discontinued / Alternative Products

- Affected series / models : TMB-15PS, TMB-20P, and TMB-20PL

(Discontinued)

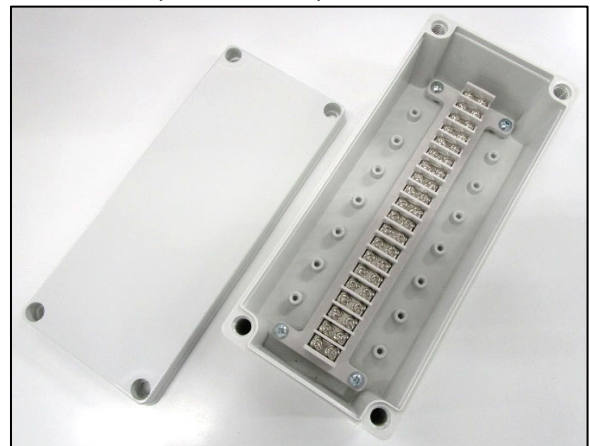
TMB-15PS, TMB-20P, and TMB-20PL



- Material (top cover, body)
ABS UL94V-0
- Color (top cover, body)
Light Gray (Similar to Munsell 5R8/0.5)

(Alternative)

TMB-15PCS, TMB-20PC, and TMB-20PCL



- Material (top cover, body)
Polycarbonate UL94V-0
- Color (top cover, body)
White Gray (Similar to Munsell 5GY8.5/0.5)

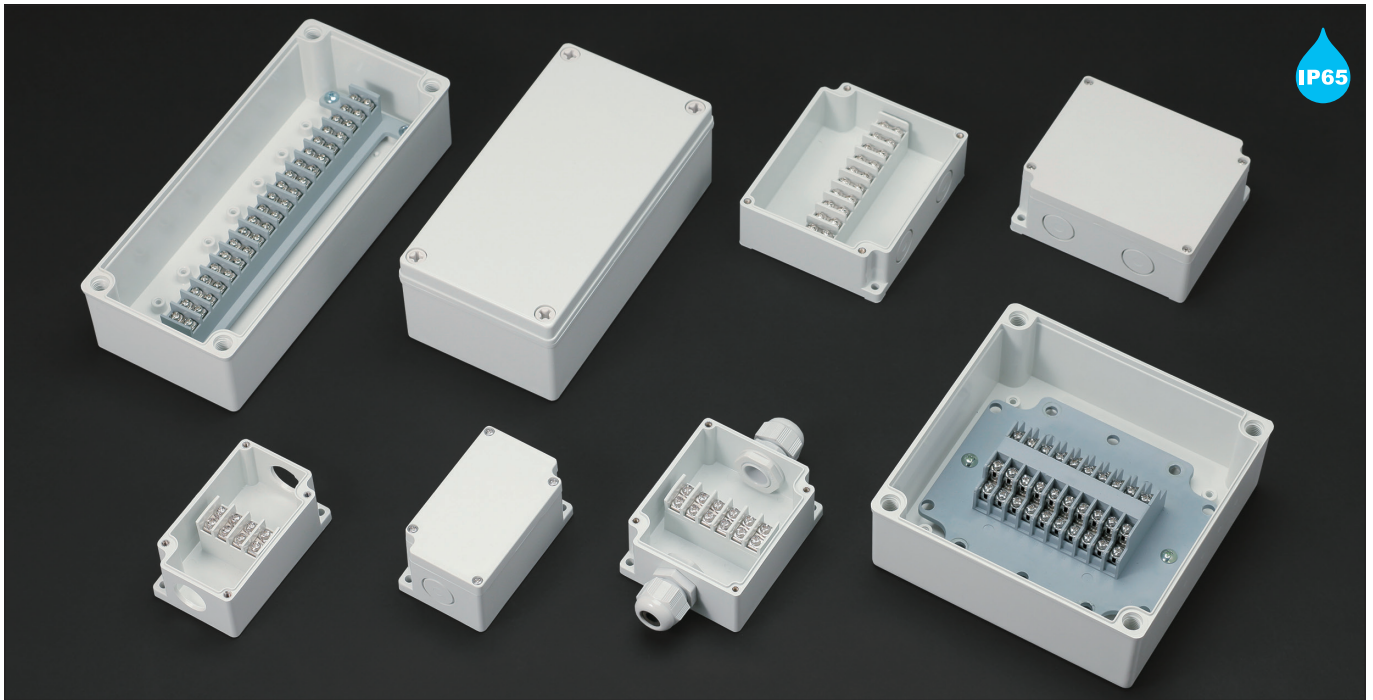
- Purpose: To ensure consistent quality throughout via streamlined supply chain and materials.
- Effective date : Once present inventory has run out / been depleted. - **TMB-20P and TMB-20PL models have already been discontinued/sold-out.**
- Alternative : TMB-15PCS, TMB-20PC, and TMB-20PCL.
- Product Specification Changes : Material and Color (top cover, body).

Thank you for your understanding.

For more information, kindly contact us at: sales@takachi-el.co.jp

TMB SERIES

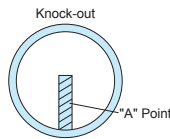
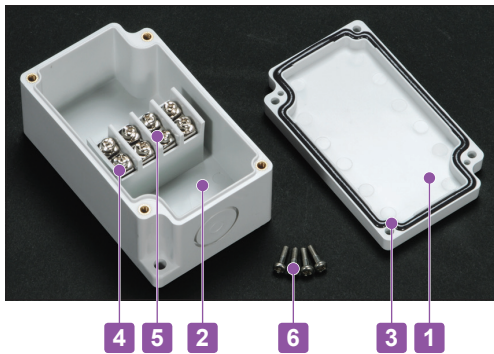
TERMINAL JUNCTION BOX



- Terminal junction box with built-in terminal block.
- IP65 protection class.
- Made of flame-resistant ABS plastic (UL94V-0).
- TMB-4P • 6P • 10P is molded with $\Phi 21.0\text{mm}$ metric knock-outs for M20 cable glands.
- To knock out the hole covers, rest a flathead screwdriver at the "A" points, and punch out the knock-outs by hammering on the rear end of the screwdriver handle with a hammer.

Technical Data

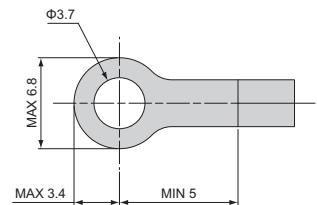
Protection class: IP65
 Operating temperature: $-10^{\circ}\text{C} \sim +60^{\circ}\text{C}$
 Recommended torque:
 TMB-4P • 6P • 10P : $0.6\text{N} \cdot \text{m}$
 TMB-15PS • 20P • 20PL : $1\text{N} \cdot \text{m}$



Terminal Block Specification

Rated voltage	400V
Rated current	17.5A
Applicable wire	1.5mm^2
Standard tightening torque	$0.8\text{N} \cdot \text{m}$

Applicable crimp terminal R1.25-3.5



Components

No.	Part name	Pcs	Material	Color / Finish
1	Top cover	1	ABS UL94V-0	Light gray
2	Body	1	ABS UL94V-0	Light gray
3	Gasket	1	Polyurethane	Black
4	Conductive plate	4 ~ 20	Brass	Nickel plated
5	Terminal screw	8 ~ 40	Steel (M3.5)	Nickel plated
-	Terminal mount screw (15PS, 20P, 20PL models only)	2 ~ 4	Steel	Trivalent chromate
6	Cover screw	4	Stainless steel • Nylon	Unfinished

※ Cover screw material : Stainless steel - 4P, 6P, and 10P models • Nylon - 15PS, 20P, and 20PL models.

Accessories (Optional parts)



Shorting bar SBR series
See page SBR-1



Cable gland
See cable gland pages



Mounting bracket CK-34Z
See page BCAS • BCAL-ACC-2

Product no. / Dimensions

Product no.	L	W	H	Number of poles	Weight (g)
TMB- 4P	91	55	43	4P	102
TMB- 6P	91	75	43	6P	134
TMB-10P	91	110	43	10P	190
TMB-15PS	185	100	70	15P	412
TMB-20PC TMB-20P	160	160	70	10P x 2	560
TMB-20PCL TMB-20PL	230	100	70	20P	484

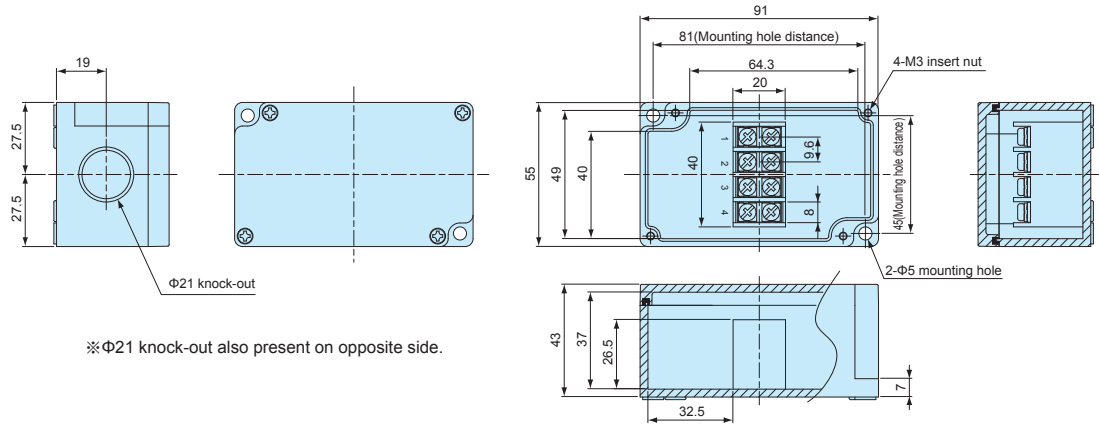
TMB-20PC
TMB-20PCL

TMB-20P and TMB-20PL models have already been discontinued/sold-out. Ask for TMB-20PC and TMB-20PCL as alternatives.

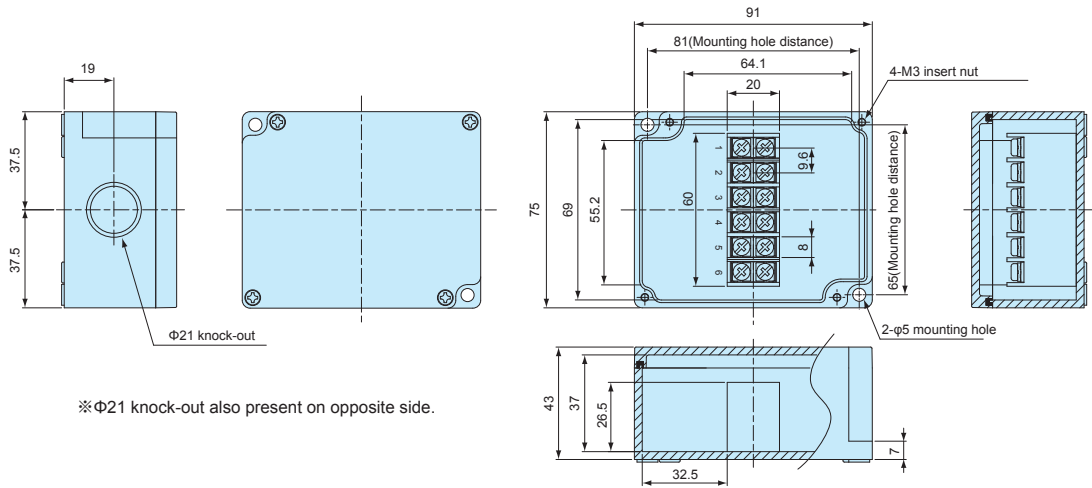
TMB dimensions

■ Drawings below are reference examples only.
DXF/DWG/PDF drawings available on our website.

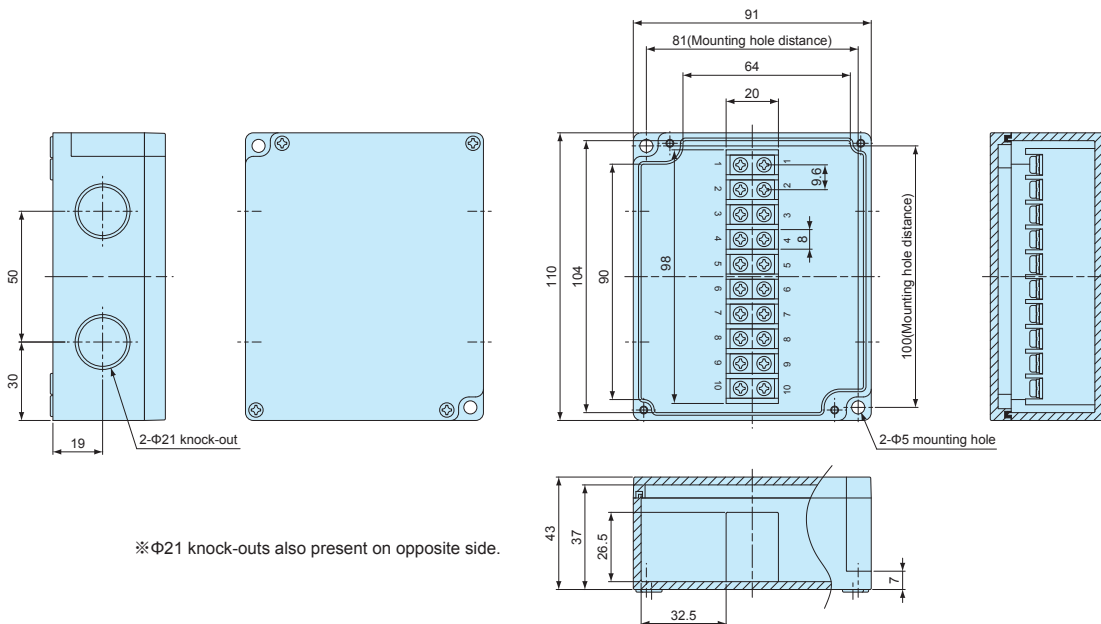
TMB-4P

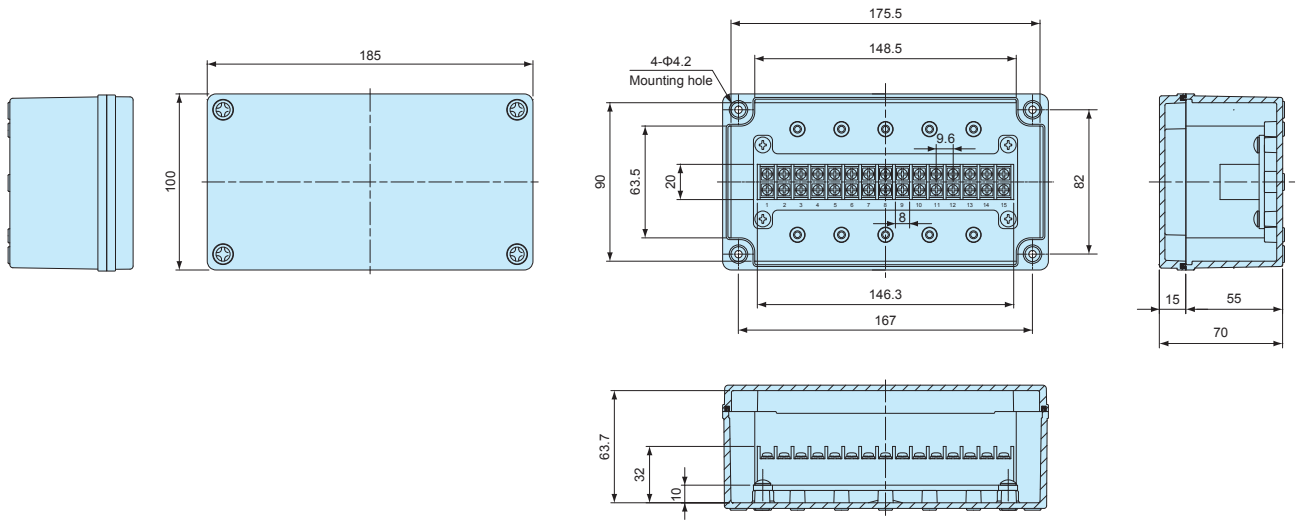
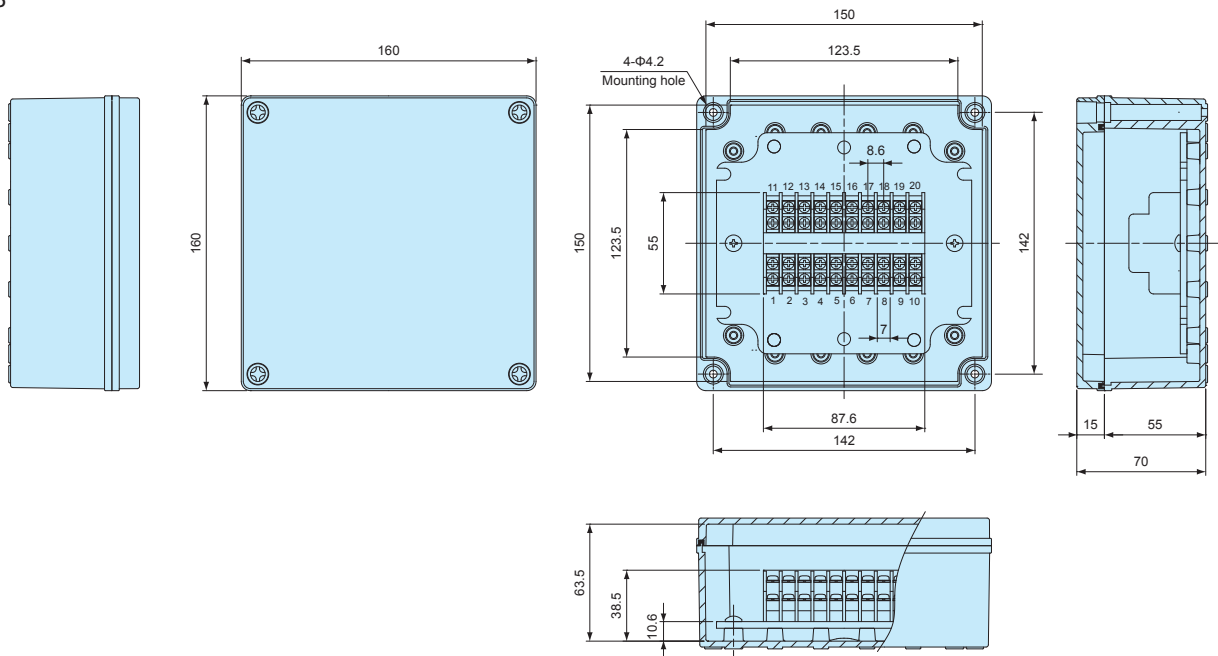
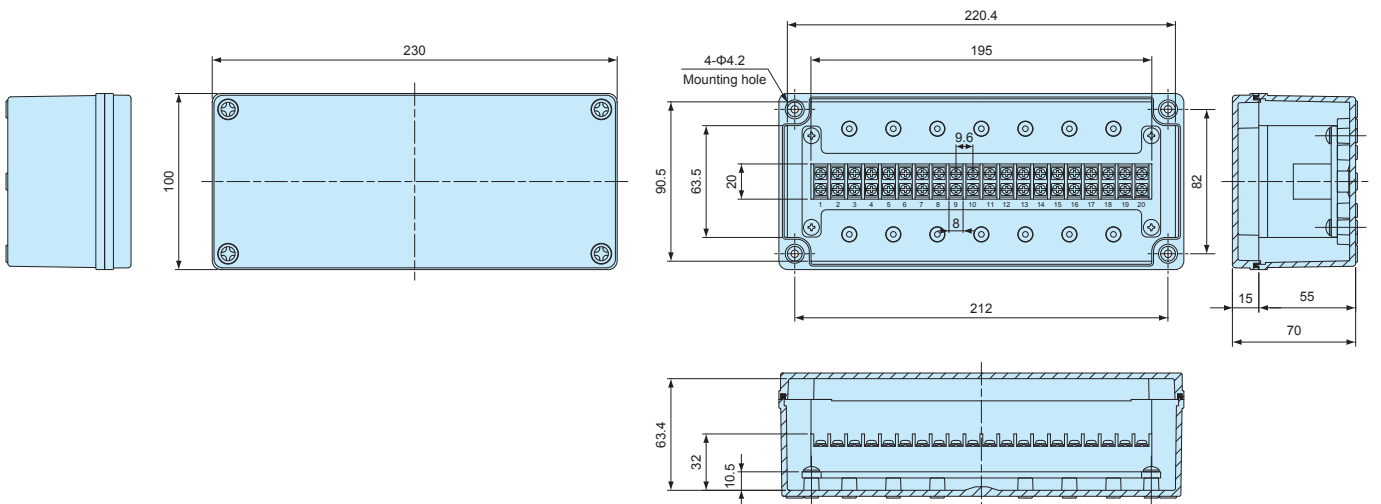


TMB-6P



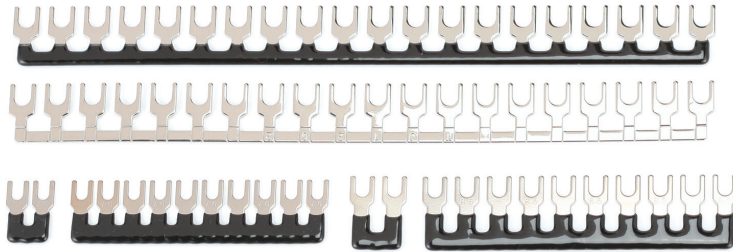
TMB-10P



TMB-15PS**TMB-20P****TMB-20PL**

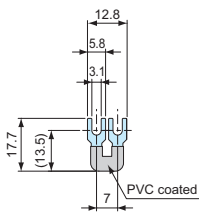
SBR SERIES

SHORTING BAR

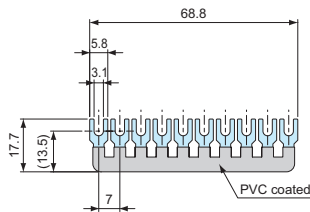


- Shorting bar for common-wiring.
- SBR70-10P, SBR85-10P, SBR95-20P, and SBR95-20N can be cut accordingly into required poles.
- PVC coated. SBR95-20 available in both PVC coated (SBR95-20P) and non PVC coated (SBR95-20N) models.
- See chart below for suitable box.

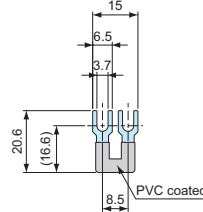
SBR70-2P



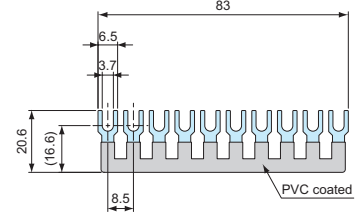
SBR70-10P



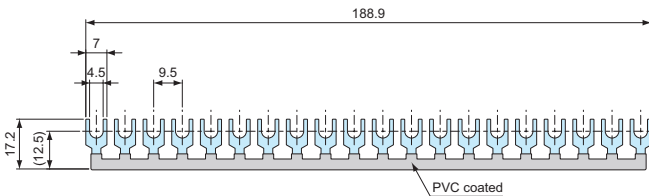
SBR85-2P



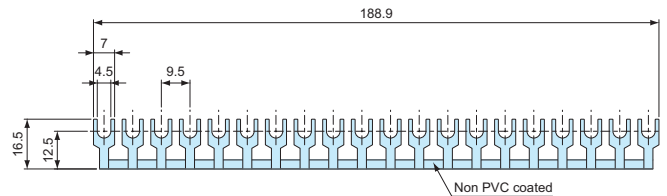
SBR85-10P



SBR95-20P



SBR95-20N



Suitable Box Chart

Product no.	Number of poles	Pole distance	Suitable box
SBR70 - 2P	2P	7.0mm	TMC series
SBR70 -10P	10P	7.0mm	TMC series
SBR85 - 2P	2P	8.6mm	TMB-20P, TMA-20P-AS, TMA30P-AS
SBR85 -10P	10P	8.6mm	TMB-20P, TMA-20P-AS, TMA30P-AS
SBR95 -20P	20P	9.6mm	TMA • TMB series (Not applicable for TMB-20P, TMA20P-AS, and TMA30P-AS models)
SBR95 -20N	20P	9.6mm	TMA • TMB series (Not applicable for TMB-20P, TMA20P-AS, and TMA30P-AS models)

Product no. / Feature

■ Pack quantity differs by models.

Product no.	Number of poles	Material	Finish	PVC coating	Pack of
SBR70 - 2P	2P	Brass	Nickel plated	Yes	10
SBR70 -10P	10P	Brass	Nickel plated	Yes	1
SBR85 - 2P	2P	Brass	Nickel plated	Yes	10
SBR85 -10P	10P	Brass	Nickel plated	Yes	1
SBR95 -20P	20P	Brass	Nickel plated	Yes	1
SBR95 -20N	20P	Brass	Nickel plated	No	1

BCM SERIES

BLIND PLUG for BCAS • BCAL



- Blind plug for BCAS • BCAL when installing hinges and latches.
Not usable when using cover screws.

Components

Part name	Material	Color
Blind plug	ABS	White gray

Product no. / Suitable box

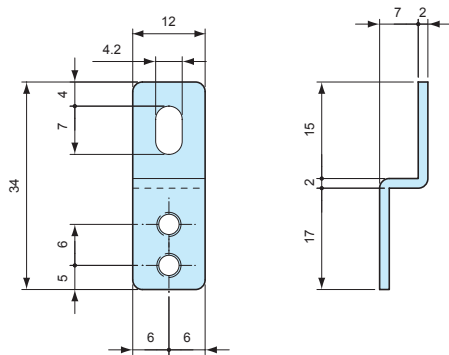
Product no.	Suitable box	Pack of
BCM-1	BCAS series (Not available for BCAS050604, 050605 models)	1
BCM-2	BCAL series	1

CK SERIES

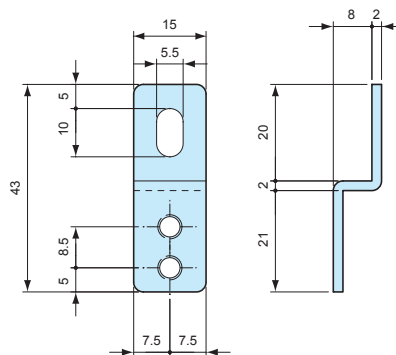
STAINLESS STEEL MOUNT BRACKET



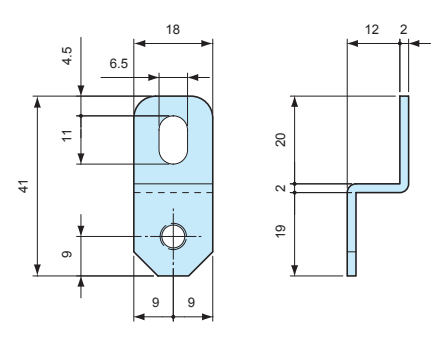
CK-34Z dimensions



CK-35P dimensions



CK-26P dimensions



- CK-34Z model requires the use of MT4-10 screw.

Product no. / Suitable box

Product no.	Material	Finish	Suitable box	Included screw	Pack of
CK-34Z	Stainless steel SUS304	Barrel finish	BCAS series (Not applicable for BCAS050604, 050605 models)	-	4
CK-35P	Stainless steel SUS304	Barrel finish	BCAS050604G, BCAS050605G	Pan head tapping M4-10	4
CK-26P	Stainless steel SUS304	Barrel finish	BCAL series	Pan head M5-10	4

MT4-10

MOUNTING SCREW

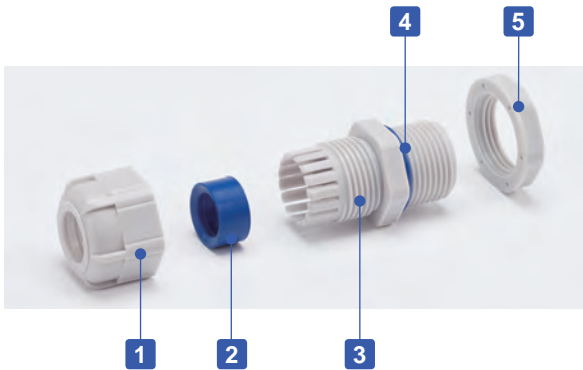
- Use together with CK-34Z.

Product no. / Feature

Product no.	Material	Finish	Pack of
MT4-10 (Pan head M4-10)	Stainless steel	Unfinished	4



- Weatherproof cable gland equipped with high ultraviolet and degradation resistant silicone sealing insert and O-ring.
- Recommended to use outdoors where waterproofing is critical.
- IP67 protection class.



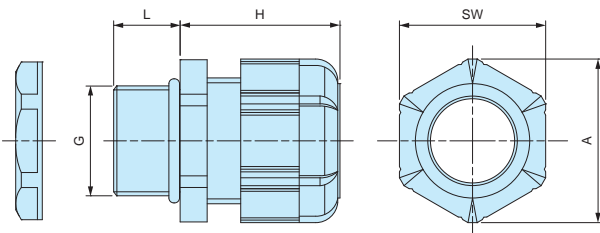
Components

■ PA = Polyamide

No.	Part name	Material
1	Cap	PA66 UL94V-2
2	Sealing insert	Silicone
3	Connector	PA66 UL94V-2
4	O-ring	Silicone
5	Lock nut	PA66 UL94V-2

RMW dimensions

■ DXF/DWG/PDF drawings available on our website.



Technical Data

Protection class: IP67
Operating temperature: -20°C ~ +80°C

- Lock nut is not included for RMW10S-6.
Please drill a proper thread hole into the enclosure for installation.

Product no. / Dimensions

Product no.		G		Cable range		L	H Max	SW	A	Pack of
● Black	● Light gray	Thread size	Mounting hole	Min	Max					
RMW8L-2.5B	RMW8L-2.5S	M8x1.25	Φ8.2	1	2.5	13	19.5	11.8	13.5	1
RMW8L-4B	RMW8L-4S	M8x1.25	Φ8.2	2.5	4	13	19.5	11.8	13.5	1
RMW10S-6B	RMW10S-6S	M10x1.5	—	3	6	8	20.5	13	14.4	1
RMW10L-6B	RMW10L-6S	M10x1.5	Φ10.2	3	6	13	20.5	13	14.4	1
RMW12S-7B	RMW12S-7S	M12x1.5	Φ12.2	3.5	7	9	20.5	16	17.6	1
RMW12L-7B	RMW12L-7S	M12x1.5	Φ12.2	3.5	7	14.5	20.5	16	17.7	1
RMW16S-8B	RMW16S-8S	M16x1.5	Φ16.2	4	8	9	23.5	19	21	1
RMW16L-8B	RMW16L-8S	M16x1.5	Φ16.2	4	8	15	24	19	21	1
RMW20S-12B	RMW20S-12S	M20x1.5	Φ20.2	6	12	10	29	24	26.2	1
RMW20L-12B	RMW20L-12S	M20x1.5	Φ20.2	6	12	15	28.5	24	26.2	1
RMW25L-17B	RMW25L-17S	M25x1.5	Φ25.2	11	17	15	35	33	36.2	1
RMW32L-21B	RMW32L-21S	M32x1.5	Φ32.3	13	21	15	38	36	39.5	1
RMW40L-27B	RMW40L-27S	M40x1.5	Φ40.3	18	27	18	43.5	45.7	50.5	1
RMW50L-38B	RMW50L-38S	M50x1.5	Φ50.4	27	38	20	50.5	60	66.5	1
RMW10L-6B-P	RMW10L-6S-P	M10x1.5	Φ10.2	3	6	13	20.5	13	14.4	100
RMW12S-7B-P	RMW12S-7S-P	M12x1.5	Φ12.2	3.5	7	9	20.5	16	17.6	100
RMW12L-7B-P	RMW12L-7S-P	M12x1.5	Φ12.2	3.5	7	14.5	20.5	16	17.7	100
RMW16S-8B-P	RMW16S-8S-P	M16x1.5	Φ16.2	4	8	9	23.5	19	21	100
RMW16L-8B-P	RMW16L-8S-P	M16x1.5	Φ16.2	4	8	15	24	19	21	100
RMW20S-12B-P	RMW20S-12S-P	M20x1.5	Φ20.2	6	12	10	29	24	26.2	100
RMW20L-12B-P	RMW20L-12S-P	M20x1.5	Φ20.2	6	12	15	28.5	24	26.2	100

RMW series silicone sealing insert weatherproof test report

Object: Cut into a piece of the silicone sealing insert from RMW series and attach it onto an aluminium plate.
 For comparison, NBR sealing insert from our RM and EPDM sealing insert from another manufacturer is also attached for comparison purposes.



Before

After

Testing conditions

Equipment : 7.5kW Super Xenon Weather Meter SX75 (Suga Test Instruments Co., Ltd.- <http://www.sugatest.co.jp/english/>)
Conditions : JIS B7754 : 1991
 Testing with an authorized Xenon arc lamp weathering test equipment under the conditions denoted below.
 Irradiance : 180W/m² at 300-400nm
 Black Panel Temperature : 63±3°C Humidity Range : 50±10%
 Cycle Conditions : 120 minutes cycle (18 minutes irradiation + water spray - 102 minutes irradiation)
Time period : 2,000 hours (equivalent to a period of 4 years under natural conditions)
Total radiant exposure : 1296MJ/m²

Test result (visual / touch inspection)

Silicone sealing insert material : No cracks, no gloss transition, no powder - no appearance change at all. Flexibility remains unchanged.

Before



After



NBR material from our RM series : Lost glossiness on the surface and material is stiffened.

Before



After

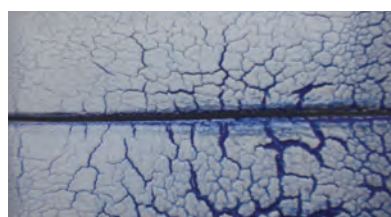


EPDM material from weatherproof cable gland of another manufacturer : Cracked, color drastically faded and powder appeared on the surface.

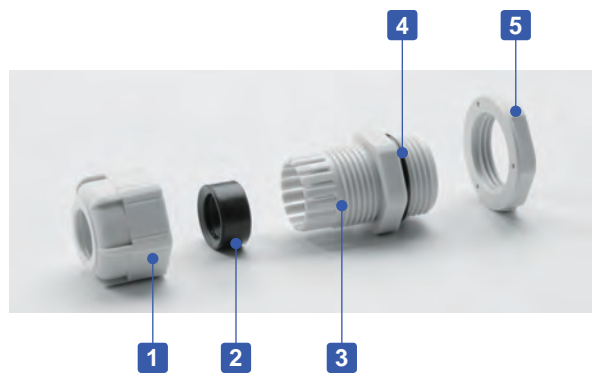
Before



After



RM series POLYAMIDE CABLE GLAND



- Low cost cable glands made from polyamide material.
- Wide selection, for M8 ~ M63, suitable for $\Phi 1\text{mm} \sim \Phi 44\text{ mm}$ cable.
- High oil resistant NBR rubber sealing and O-ring.
- IP67 protection class.

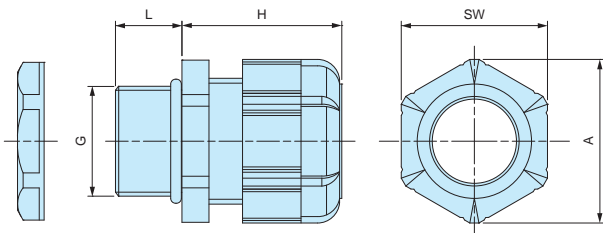
Components

■ PA = Polyamide

No.	Part name	Material
1	Cap	PA66 UL94V-2
2	Sealing insert	NBR
3	Connector	PA66 UL94V-2
4	O-ring	NBR
5	Lock nut	PA66 UL94V-2

RM dimensions

■ DXF/DWG/PDF drawings available on our website.



Technical Data
Protection class: IP67
Operating temperature: -20°C ~ +80°C

- Lock nut is not included for RM8S-2.5, 8S-4, and 10S-6 models. Please drill a proper thread hole into the enclosure for installation.

Product no. / Dimensions

Product no.		G		Cable range		L	H Max	SW	A	Pack of
● Black	● Light gray	Thread size	Mounting hole	Min	Max					
RM8S-2.5B	RM8S-2.5S	M8x1.25	—	1	2.5	7.5	19.5	11.8	13.5	1
RM8L-2.5B	RM8L-2.5S	M8x1.25	$\Phi 8.2$	1	2.5	13	19.5	11.8	13.5	1
RM8S-4B	RM8S-4S	M8x1.25	—	2.5	4	7.5	19.5	11.8	13.5	1
RM8L-4B	RM8L-4S	M8x1.25	$\Phi 8.2$	2.5	4	13	19.5	11.8	13.5	1
RM10S-6B	RM10S-6S	M10x1.5	—	3	6	8	20.5	13	14.4	1
RM10L-6B	RM10L-6S	M10x1.5	$\Phi 10.2$	3	6	13	20.5	13	14.4	1
RM12S-7B	RM12S-7S	M12x1.5	$\Phi 12.2$	3.5	7	9	20.5	16	17.6	1
RM12L-7B	RM12L-7S	M12x1.5	$\Phi 12.2$	3.5	7	14.5	20.5	16	17.7	1
RM16S-8B	RM16S-8S	M16x1.5	$\Phi 16.2$	4	8	9	23.5	19	21	1
RM16L-8B	RM16L-8S	M16x1.5	$\Phi 16.2$	4	8	15	24	19	21	1
RM20S-12B	RM20S-12S	M20x1.5	$\Phi 20.2$	6	12	10	29	24	26.2	1
RM20L-12B	RM20L-12S	M20x1.5	$\Phi 20.2$	6	12	15	28.5	24	26.2	1
RM25L-17B	RM25L-17S	M25x1.5	$\Phi 25.2$	11	17	15	35	33	36.2	1
RM32L-21B	RM32L-21S	M32x1.5	$\Phi 32.3$	13	21	15	38	36	39.5	1
RM40L-27B	RM40L-27S	M40x1.5	$\Phi 40.3$	18	27	18	43.5	45.7	50.5	1
RM50L-38B	RM50L-38S	M50x1.5	$\Phi 50.4$	27	38	20	50.5	60	66.5	1
RM63L-44B	RM63L-44S	M63x1.5	$\Phi 63.4$	37	44	20	53	68	75.5	1
RM10L-6B-P	RM10L-6S-P	M10x1.5	$\Phi 10.2$	3	6	13	20.5	13	14.4	100
RM12S-7B-P	RM12S-7S-P	M12x1.5	$\Phi 12.2$	3.5	7	9	20.5	16	17.6	100
RM12L-7B-P	RM12L-7S-P	M12x1.5	$\Phi 12.2$	3.5	7	14.5	20.5	16	17.7	100
RM16S-8B-P	RM16S-8S-P	M16x1.5	$\Phi 16.2$	4	8	9	23.5	19	21	100
RM16L-8B-P	RM16L-8S-P	M16x1.5	$\Phi 16.2$	4	8	15	24	19	21	100
RM20S-12B-P	RM20S-12S-P	M20x1.5	$\Phi 20.2$	6	12	10	29	24	26.2	100
RM20L-12B-P	RM20L-12S-P	M20x1.5	$\Phi 20.2$	6	12	15	28.5	24	26.2	100
RM25L-17B-P	RM25L-17S-P	M25x1.5	$\Phi 25.2$	11	17	15	35	33	36.2	100



RSP series

STRAIN RELIEF CABLE GLAND



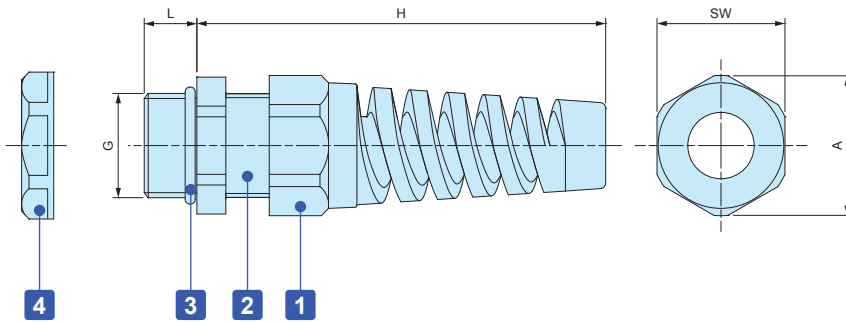
- New sizes added for a total of 14 models available for selection.
- Strain relief cap protects cables by preventing it from bending beyond its limit and breaking.
- Economical price but high waterproofing capability equivalent to IP67.

Technical Data
Protection class : Equivalent to IP67*
Operating temperature : -20°C ~ +80°C

*In-house test

RSP dimensions

■ DXF/DWG/PDF drawings available on our website.



Components

■ PA = Polyamide

No.	Part name	Material
1	Strain relief cap	PA66 UL94V-2
-	Sealing insert	NBR
2	Connector	PA66 UL94V-2
3	O-ring	NBR
4	Lock nut	PA66 UL94V-2

Product no. / Details

Product no.		G		Cable range		L	H	SW	A	Pack of
● Black	● Light gray	Thread size	Mounting hole	Min	Max					
NEW RSP 8-2.5B	NEW RSP 8-2.5S	M 8×1.25	Φ 8.2	1	2.5	10.5	48	12.1	13.8	1
NEW RSP 8-4B	NEW RSP 8-4S	M 8×1.25	Φ 8.2	2.5	4	10.5	48	12.1	13.8	1
NEW RSP10-6B	NEW RSP10-6S	M10×1.5	Φ10.2	3	6	12.2	54	13.1	14.5	1
RSP12-6B	RSP12-6S	M12×1.5	Φ12.2	3.5	6	9	62	16	17	1
RSP16-8B	RSP16-8S	M16×1.5	Φ16.2	4	8	9	69	19.5	21	1
RSP20-11B	RSP20-11S	M20×1.5	Φ20.2	6	11	10	82	24	26	1
RSP25-16B	RSP25-16S	M25×1.5	Φ25.2	11	16	12	102	33	36	1



- High water protection IP68 (1bar / 30min) polyamide cable gland.
- Wide selection, for M8 ~ M50, suitable for Φ 2.5mm ~ Φ 42 mm cable.
- Super tough and superior heat resistant PA6GF (glass fiber filled PA6) material on cap and connector.
- Safer halogen free, eco-friendly product.

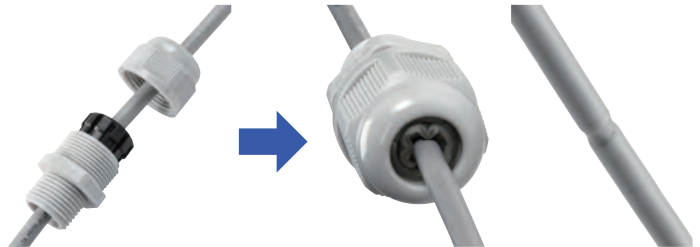
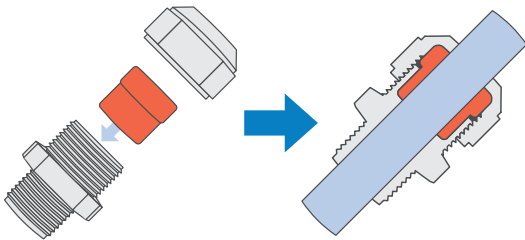
Technical Data
Protection class: IP68 1bar / 30min
Operating temperature: -20°C ~ +100°C
Compliant with EN50262 Ver. A

AG series

Thicker sealing insert evenly hold a cable by having a larger holding area. Remains durable even after repeated tightening / loosening.

Lamellar insert type

If over-tightened, it can cause the rubber bush or cable to deform, which can allow water to seep in.



Components

■ PA6GF = Polyamide6 Glass Fiber Filled

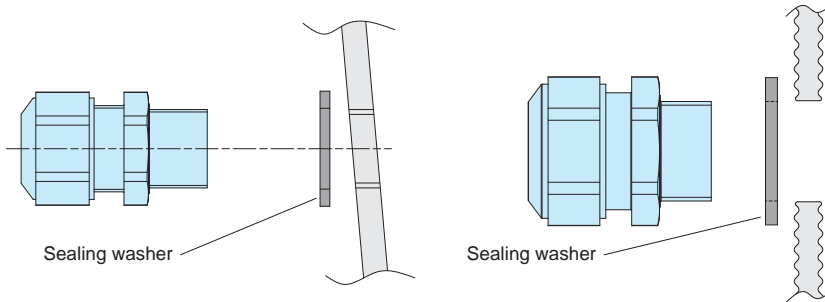
No.	Part name	Material
1	Cap	PA6GF
2	Sealing insert	TPE
3	Connector	PA6GF
4	Lock nut	PA6

- Lock nut is not included for M8 and M10 sizes. Please drill a proper thread hole into the enclosure for installation.

- Proper tightening torque varies by each cable diameter. Tighten the cap until top of the sealing insert forms a small bead between the cap and the cable.

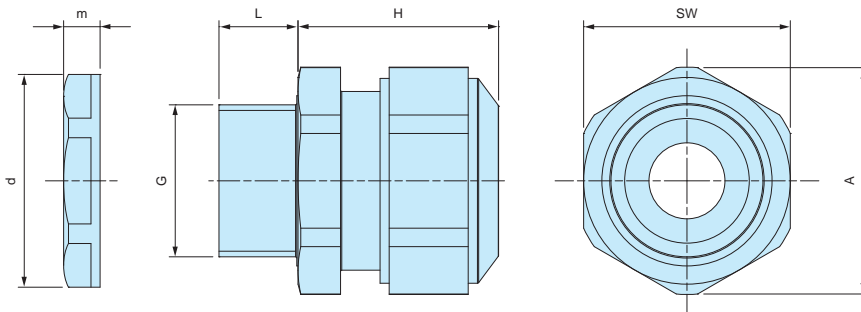


- No optional sealing washer is required when installing on an even surface because of the built-in waterproof rib.
- An optional sealing washer is required when installing on an uneven surface. (See website for more information on the optional sealing washer)



AG dimensions

- DXF/DWG/PDF drawings available on our website.



- Lock nut is not included for M8 and M10 sizes. Please drill a proper thread hole into the enclosure for installation.

Product no. / Dimensions

Product no.		G		Cable range		L	H Max	SW	A	d	m	Pack of
● Black	● Light gray	Thread size	Mounting hole	Min	Max							
AG8-3.5B	AG8-3.5S	M8x1.0	—	2.5	3.5	10	17	12	13.2	—	—	1
AG8-5B	AG8-5S	M8x1.0	—	3.5	4.7	10	17	12	13.2	—	—	1
AG10-6B	AG10-6S	M10x1.0	—	4	6	10	19	15	16.5	—	—	1
AG12-5B	AG12-5S	M12x1.5	Φ12.2	3.5	4.7	12	23.5	17	18.7	18.8	5	1
AG12-6.5B	AG12-6.5S	M12x1.5	Φ12.2	5	6.5	12	23	17	18.7	18.8	5	1
AG12-8B	AG12-8S	M12x1.5	Φ12.2	6.5	7.8	12	23	17	18.7	18.8	5	1
AG16-10B	AG16-10S	M16x1.5	Φ16.2	8	10	12	26	21	23.1	24.3	5	1
AG20-15B	AG20-15S	M20x1.5	Φ20.2	11	15	13	27	27	29.7	29	6	1
AG25-16B	AG25-16S	M25x1.5	Φ25.2	12.5	16	13	34	34	37.4	36	6.7	1
AG25-20B	AG25-20S	M25x1.5	Φ25.2	16	20	13	34	34	37.4	36	6.7	1
AG32-25.5B	AG32-25.5S	M32x1.5	Φ32.3	21	25.5	15	36	41	45.6	46	8	1
AG40-28.5B	AG40-28.5S	M40x1.5	Φ40.3	24	28.5	15	41	50	55.4	53.5	9	1
AG40-33B	AG40-33S	M40x1.5	Φ40.3	28.5	33	15	41	50	55.4	53.5	9	1
AG50-37B	AG50-37S	M50x1.5	Φ50.4	33	37	16	45	60	65.5	66	9.6	1
AG50-42B	AG50-42S	M50x1.5	Φ50.4	37	42	16	45	60	65.5	66	9.6	1

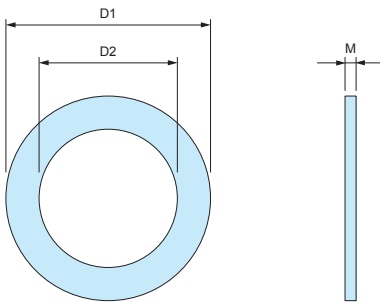
AGP SERIES

SEALING WASHER for AG • AGSP



- Sealing washer for AG series.
- Made from oil resistant NBR material.
- Use in the case of installation on a rough or uneven surfaces.
- Selectable in 7 sizes (from M12 to M50)
- Sealing washer is not necessary for installation on flat surfaces.

AGP Dimensions



- Material : NBR

Product no. / Dimensions

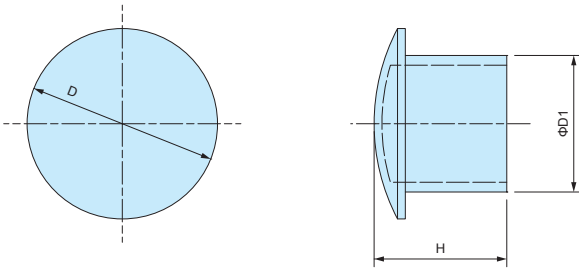
Product no.	D1	D2	M	Suitable cable gland	Pack of
AGP-12	20	12	1.6	AG12	10
AGP-16	23.5	16.5	2.0	AG16	10
AGP-20	29	20	2.0	AG20	10
AGP-25	37	25	2.0	AG25	10
AGP-32	44	32	2.2	AG32	5
AGP-40	52	40	2.2	AG40	5
AGP-50	64	50	3.1	AG50	5

SP SERIES

SEALING PLUG



SP dimensions



■ Material : Nylon

- Sealing plug for cable glands when not in use.
- Maintain a waterproof seal when plugged into the sealing insert on cable glands.

Product no. / Dimensions

Product no.	D	D1	H	Suitable cable glands	Pack of
SP-12	10.2	6	15.5	RMW12, RM12, RMW16, RM16, RPG7, RPG9	10
SP-16	15.6	9.5	15.5	RMW20, RM20, RPG11, RPG13.5	10
SP-20	19.6	13.5	16.5	RPG16	10
SP-25	24.4	17.5	17	RMW25, RM25, RMW32, RM32, RPG21	5
SP-40	32.5	24.5	17.5	RMW40, RM40, RPG29	5
SP-50	47.2	38.9	17.6	RMW50, RM50	5