

# TLW series TILT LEG



APPLICATION EXAMPLE

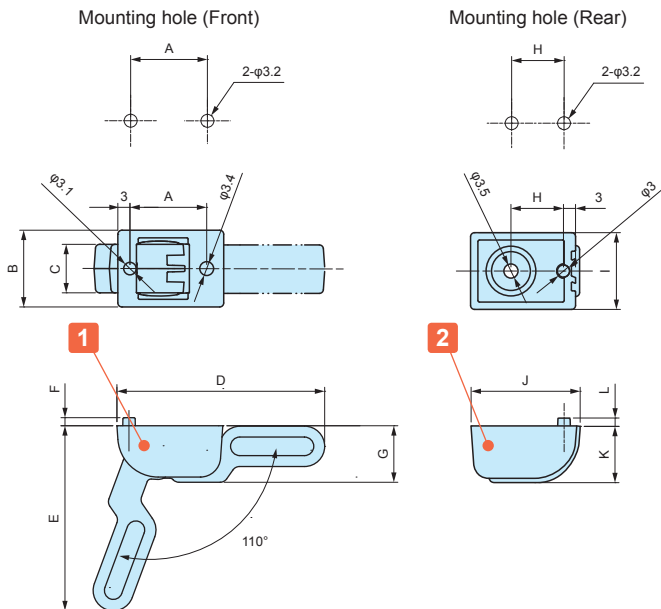
- Double shot injection molded feet with soft and well-designed rounded shape.
- Non-slip design with Elastomer (TPE) pad.
- Available in 3 different color patterns (2 color patterns for TLW-70 models).
- TLW-70E models are exclusively for use with width 185mm or larger bottom covers of EXP • EXPE • EXW • EX • EXH • EXHE aluminium enclosures.

Technical Data
Max load : 7kg

Components

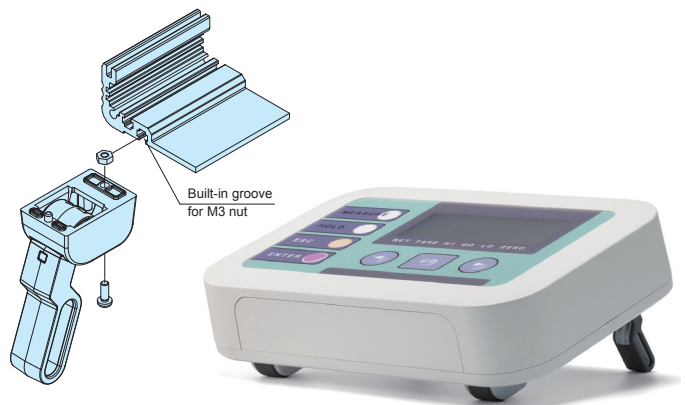
No.	Part name	Pcs	Material	Color / Finish
1	Front foot	2	PC + ABS UL94V-0 • TPE	Black & Black • Navy & Gray • Light gray & Gray
2	Rear foot	2	PC + ABS UL94V-0 • TPE	Black & Black • Navy & Gray • Light gray & Gray
-	Screw	4	Steel M3-8 pan head	Black trivalent chromate
-	Nut	4	Steel M3	Black trivalent chromate

TLW dimensions



- DXF/DWG/PDF/STP drawings available on our website.

- TLW-70E□□ models are for installation (with M3 nut) into the built-in grooves on bottom-covers of EXP • EXPE 20-6, EXH • EXHE • EX 19-4 or larger models.
- Hole milling is required to install TLW-46□□ and TLW-70□□ models.
- Max installation panel thickness : t = 3.5mm



Product no. / Dimensions

Product no.	A	B	C	D	E	F	G	H	I	J	K	L	Color (plastic)	Color (TPE)	Weight (g)
TLW-46BB	19	19	12	51.2	45.9	2	14	13	19	27	14	2	Black	Black	23
TLW46-NG	19	19	12	51.2	45.9	2	14	13	19	27	14	2	Navy	Gray	23
TLW-46LG	19	19	12	51.2	45.9	2	14	13	19	27	14	2	Light gray	Gray	23
TLW-70EBB	-	25	16	75.4	69	3	21.5	-	25	39	21.5	3	Black	Black	59
TLW-70ENG	-	25	16	75.4	69	3	21.5	-	25	39	21.5	3	Navy	Gray	59
TLW-70ELG	-	25	16	75.4	69	3	21.5	-	25	39	21.5	3	Light gray	Gray	59
TLW-70BB	30	25	16	75.4	69	2	21.5	20	25	39	21.5	2	Black	Black	59
TLW-70LG	30	25	16	75.4	69	2	21.5	20	25	39	21.5	2	Light gray	Gray	59