

THA45 series

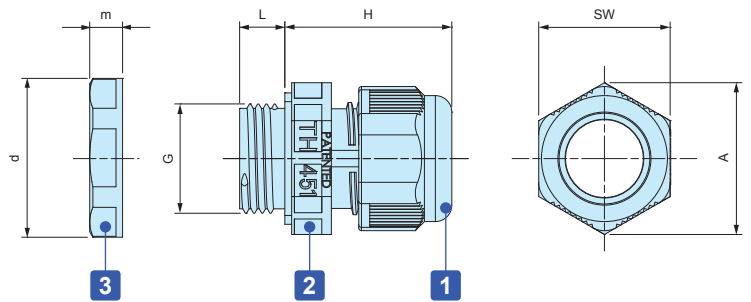
IP68 SEAMLESS CABLE GLAND



Seamless construction of connector and sealing insert for superb waterproof performance.



THA45 dimensions



Technical Data

Protection class : IP68 5bar/1h (1 hour / 50m depth)
 Operating temperature : -40°C ~ +125°C
 EN50262 VarA compliant

Color

Code	L Light gray / Gray	B Black / Gray	G Black / Green
Color			

Components

■ PA66 = Polyamide 66
 ■ PA66GF = Glass fiber filled polyamide 66

No.	Part name	Material
1	Cap	*PA66 • PA66GF
2	Connector	PA66 • TPE
3	Lock nut	PA66

*PA66 material for THA452-25 models.

Product no. / Details

■ Please suffix color code at the end of the product number.

Product no.	G			Cable range		L	H Max	SW	A	d	m	Pack of
	Thread size	Thread diameter	Mounting hole	Max	Min							
THA450-16S □	M16×1.5	15.3	Φ15.7	5	7.5	8	29.5	19	21.6	24	5	1
THA450-16L □	M16×1.5	15.3	Φ15.7	7.5	9.5	8	29.5	19	21.6	24	5	1
THA451-20 □	M20×1.5	20	Φ20.2	10.5	14	8	31	24	26.3	26.5	7	1
THA451-20-2 □	M20×1.5	20	Φ20.2	Φ6×2		8	31	24	26.3	26.5	7	1
THA452-25 □	M25×1.5	25	Φ25.2	14	17	8	34	29	32	35.2	6	1