

SSK SERIES

POLE MOUNTING BRACKET

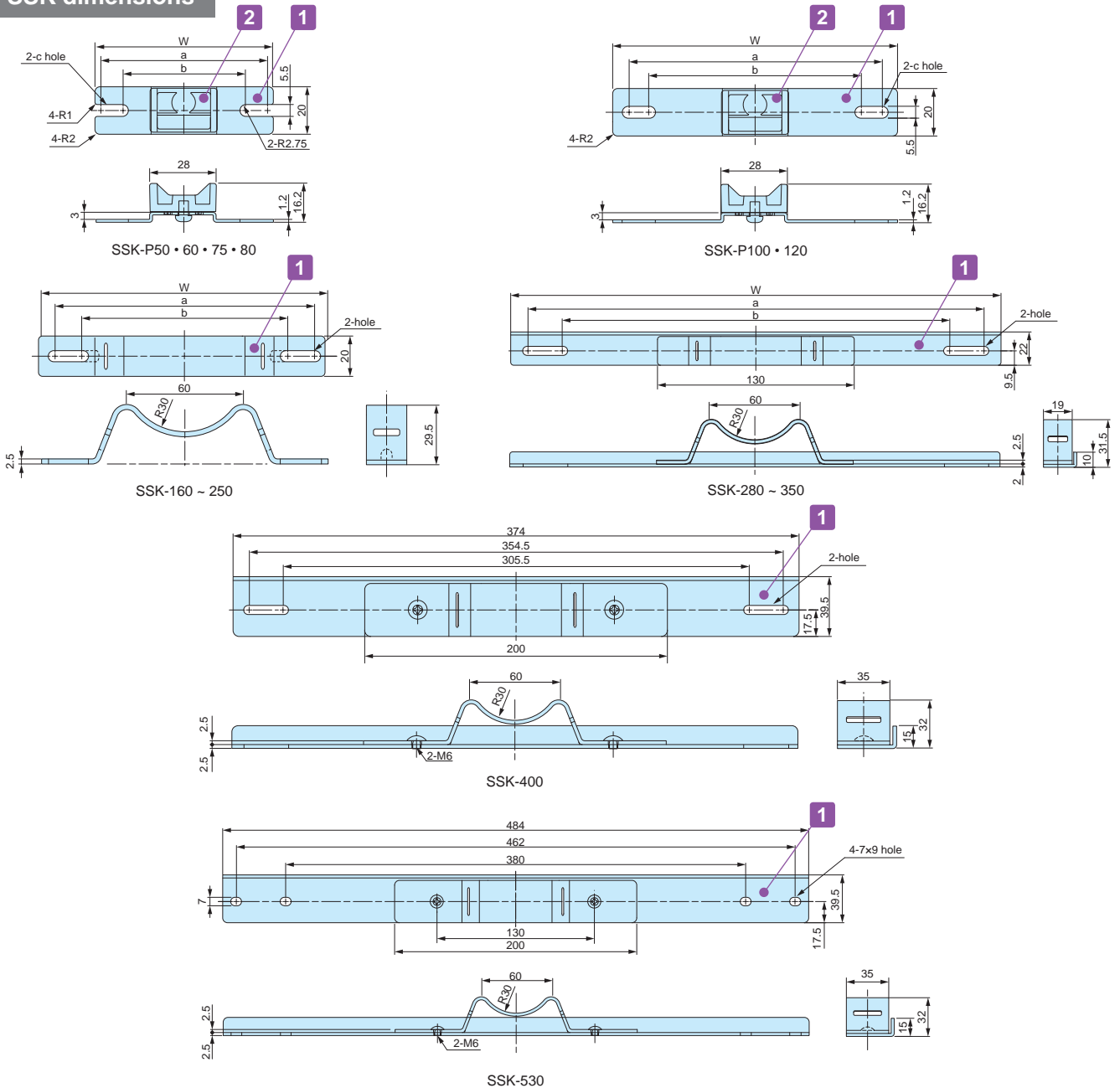


- Stainless steel pole mounting bracket for SPCM • SPCP and BCAL • BCAS series.
- Easy pole mount with the use of SSK-B mounting screw and PKB mounting belt.
- DXF/DWG/PDF drawings available on our website.
- SSK-P models includes plastic mounting brackets.



PKB series

SSK dimensions



SSK-1

Components

No.	Part name	Pcs	Material	Color / Finish
1	Bracket	2	Stainless steel SUS304	Barrel finish
2	Plastic bracket (SSK-P models only)	2	ASA UL94HB	White gray

■ Screws included with SSK brackets are for BCAP • BCAR • BCPK • BCPR series use only. For other series, please utilize SSK-B screw set.

Product no. / Dimensions

Product no.	W	a	b	c	Suitable mounting belt	Pack of
SSK-P50	50	44.5	37.5	5.5x 9	PKB-10PM, 10P PKB-10S	2
SSK-P60	60	54.5	47.5	5.5x 9	PKB-10PM, 10P PKB-10S	2
SSK-P75	75	69.5	55.5	5.5x12.5	PKB-10PM, 10P PKB-10S	2
SSK-P80	80	74.5	64.5	5.5x10.5	PKB-10PM, 10P PKB-10S	2
SSK-P100	100	88.1	76.5	5.5x11.3	PKB-10PM, 10P PKB-10S	2
SSK-P120	120	106.5	88.5	5.5x14.5	PKB-10PM, 10P PKB-10S	2
SSK-160	142	129.5	106.5	-	PKB-10PM, 10P PKB-10S	2
SSK-170	152	142.3	101	-	PKB-10PM, 10P PKB-10S	2
SSK-200	174	161.5	112.5	-	PKB-10PM, 10P PKB-10S	2
SSK-210	192	180.5	131.5	-	PKB-10PM, 10P PKB-10S	2
SSK-250	230	215.5	166.5	-	PKB-10PM, 10P PKB-10S	2
SSK-280	260	244.5	195.5	-	PKB-10PM, 10P PKB-10S	2
SSK-300	280	264.5	215.5	-	PKB-10PM, 10P PKB-10S	2
SSK-350	324	302.5	253.5	-	PKB-10PM, 10P PKB-10S	2
SSK-400	374	354.5	305.5	-	PKB-20S	2
SSK-530	484	462	380	7x9	PKB-20S	2

SSK-B SERIES

MOUNTING SCREW SET for SSK



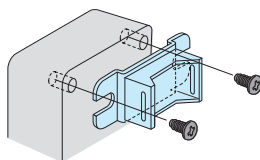
- Mounting screw set for use with SSK pole mounting bracket.
- See chart on page SSK-3 for appropriate bracket/screw/box combination.
- Material / Finish : Stainless steel / Unfinished.

Product no. / Dimensions

Product no.	Included screws	Suitable box	Pcs
SSK-B4-15N	M4-15 Pan head with nut	BCAS060905 ~ 212310	4
SSK-B4-25N	M4-25 Pan head with nut	SPCP • SPCM series	4
SSK-B5-10	M5-10 Pan head	BCAL series	4

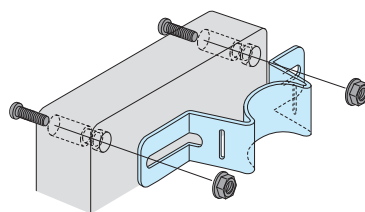
■ Installation Example

BCAS050604, 050605



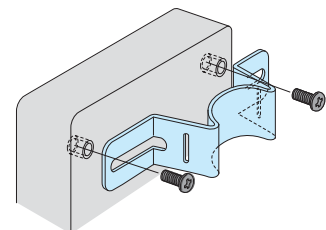
Use screws included with SSK-P

M4 / M5 Pan head with nut fastening



SSK-B4-15N      SSK-B4-25N

Pan head screw into insert nut



SSK-B5-10

POLE MOUNTING BRACKET / SCREW SET MATCHING CHART

SPCM • SPCP series

	Box Product no.	SSK Product no.		Screw set Product no.
		Vertical mount	Horizontal mount	
SPCP SPCM	081304, 081305 081306, 081308 081310, 081313	SSK-P75	SSK-160	SSK-B4-25N
	101004, 101006	SSK-P100	SSK-P100	SSK-B4-25N
	131304, 131305 131306, 131308 131310, 131313	SSK-160	SSK-160	SSK-B4-25N
	131804, 131805 131806, 131808 131810, 131813, 131815	SSK-160	SSK-200	SSK-B4-25N
	181808, 181810 181813, 181815	SSK-200	SSK-200	SSK-B4-25N
	182508, 182510, 182515	SSK-200	SSK-280	SSK-B4-25N

BCAL series

	Box Product no.	SSK Product no.		Screw set Product no.
		Vertical mount	Horizontal mount	
BCAL	191913 ※	SSK-P120	SSK-200	SSK-B5-10
	192813, 192818	SSK-200	SSK-250	SSK-B5-10
	193813, 193818	SSK-200	SSK-350	SSK-B5-10
	282813	SSK-250	SSK-280	SSK-B5-10
	283413	SSK-280	SSK-280	SSK-B5-10
	283813, 283818	SSK-280	SSK-350	SSK-B5-10
	285613	SSK-280	SSK-530	SSK-B5-10
	385618	SSK-400	SSK-530	SSK-B5-10

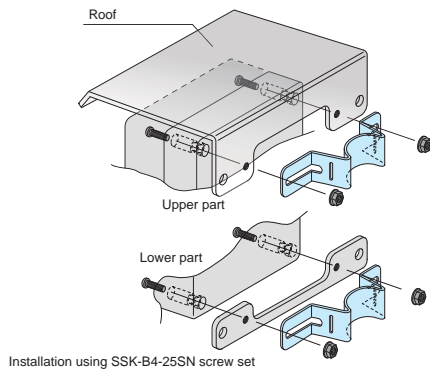
※Use screws included with SSK bracket for vertical mount

BCAS series

	Box Product no.	SSK Product no.		Screw set Product no.
		Vertical mount	Horizontal mount	
BCAS	050604, 050605	SSK-P50	SSK-P60	Use screws included with SSK bracket
	060905	SSK-P60	SSK-P100	SSK-B4-15N
	071005 ※	SSK-P75	SSK-P100	SSK-B4-15N
	080806	SSK-P75	SSK-P75	SSK-B4-15N
	081104, 081107 081108, 081110	SSK-P75	SSK-P120	SSK-B4-15N
	081307, 081308	SSK-P75	SSK-160	SSK-B4-15N
	081807, 081808	SSK-P75	SSK-210	SSK-B4-15N
	082507, 082508	SSK-P75	SSK-280	SSK-B4-15N
	101007, 101010	SSK-P100	SSK-P100	SSK-B4-15N
	101807	SSK-P100	SSK-210	SSK-B4-15N
	102007	SSK-P100	SSK-250	SSK-B4-15N
	102307	SSK-P100	SSK-250	SSK-B4-15N
	121207, 121210	SSK-P120	SSK-200	SSK-B4-15N
	141709	SSK-160	SSK-200	SSK-B4-15N
	142309	SSK-160	SSK-250	SSK-B4-15N
	151507, 151510	SSK-170	SSK-170	SSK-B4-15N
	152004, 152007 152020, 152013, 152016	SSK-170	SSK-250	SSK-B4-15N
	152510, 152513	SSK-170	SSK-280	SSK-B4-15N
	161607	SSK-170	SSK-170	SSK-B4-15N
	202010, 202013 202016, 202019	SSK-250	SSK-250	SSK-B4-15N
	212310	SSK-250	SSK-250	SSK-B4-15N

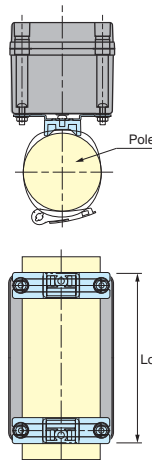
※Use screws included with SSK bracket for vertical mount

- For installation of SR series outdoor roof on SPCM • SPCP series SR series (For SPCM • SPCP - see page SPCM • SPCM-ACC-2)

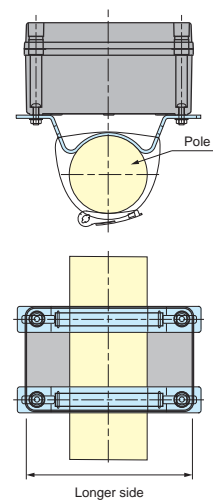


- Select SSK bracket depending on mounting type (Vertical or Horizontal).

**Vertical mount**  
(Longer vertical side)



**Horizontal mount**  
(Longer horizontal side)



WPMB-M4-3 SERIES

POLE MOUNTING BRACKET



- Pole mount bracket made from weather resistant ASA material.
- Suitable for both for vertical and horizontal mounting.
- Hole milling is required for bracket installation.
- IPX7 protection can be maintained through the use of sealing washers.
- Pole mount is possible with the use of PKB series mounting belt.

Components

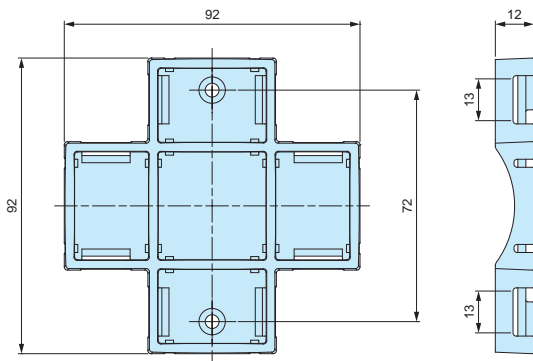
No.	Part name	Pcs	Material	Color / Finish
1	Bracket	1	ASA UL94HB	White gray • Dark gray
2	Sealing washer	2	NBR, SPCC	Black
3	Screw (M4-10 Pan head)	2	Stainless steel	Unfinished
4	Hexagonal nut (M4 x 3 types)	2	Stainless steel	Unfinished

Product no. / Dimensions

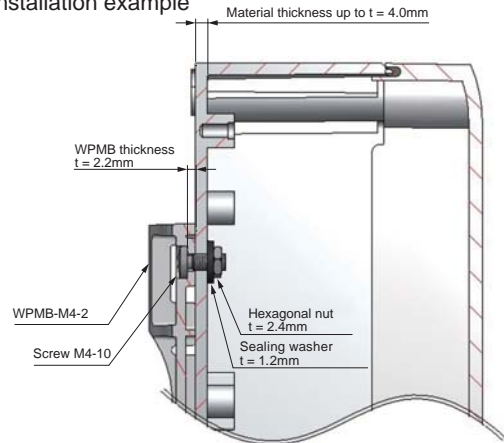
Product no.		Material thickness	Tightening torque	Tensile strength	Weight (g)
• White gray	• Dark gray				
WPMB-M4-3G	WPMB-M4-3D	Up to t = 4.0mm	0.45N • m	5 kg	26.5

■ Listed tightening torque values are for reference only. Actual required torque may differ.

■ DXF/DWG/PDF drawings available on our website.



Installation example



PKB SERIES

POLE MOUNTING BELT



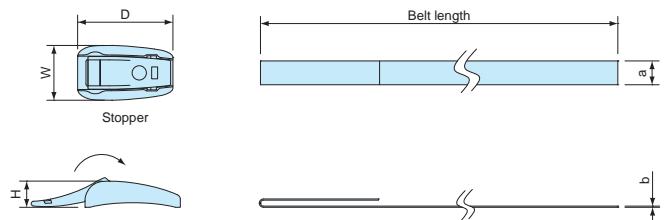
PKB-10PM, 10P



PKB-10S, 20S

- New shorter belt type PKB-10PM is available for  $\Phi 25$  to  $\Phi 60$ mm poles. Other belt types are for  $\Phi 60$  to  $\Phi 400$ mm poles.
- Designed for one time use only (not reusable).
- Strong stainless steel clamping type and easy installation plastic type are available.
- Use SSK • WPMB mounting bracket for installation onto a pole.

■ Drawings below are reference examples only. DXF/DWG/PDF drawings available on our website.



Components

Part name	Pcs	Material	Color / Finish
Stopper	2	POM • Stainless steel SUS304	Black • Barrel finish
Belt	2	PET • Stainless steel SUS430	Gray • Bright Annealed finish

Product no. / Dimensions

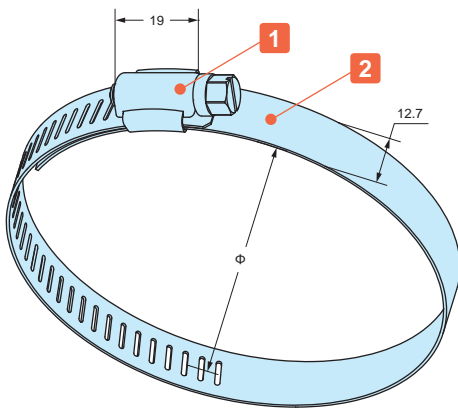
Product no.	W	D	H	a	b	Belt material	Belt length	Tensile strength (horizontal)	Weight (g)	Pack of
<b>NEW</b> PKB-10PM	24	23	11	10	0.5	PET	500mm	0.8kN	14	2
PKB-10P	23	40	11	10	0.5	PET	1,500mm	1.3kN	31.8	2
PKB-10S	(16.5)	(49.5)	12	10	0.3	Stainless steel	1,500mm	1.4kN	101.6	2
PKB-20S	(27.4)	(49.5)	12	20	0.3	Stainless steel	1,500mm	2.9kN	182.2	2

SNB series

STAINLESS STEEL POLE MOUNTING STRAP



SNB dimensions



- Corrosion resistant stainless steel (SUS304) belt clamp.
- It can be installed securely by tightening the screw.
- 8 mm nut driver (box driver) is recommended for tightening. Minus screw driver can also be used.

Components

No.	Part name	Pcs	Material	Finish
1	Bracket	1	Stainless steel SUS304	Polished
2	Strap	1	Stainless steel SUS304	Polished

Product no. / Dimensions

Product no.	Applicable diameter (Φ)	Strap width	Strap thickness	Recommended torque N · m	Weight (g)	Pack of
SNB 52- 76	52 ~ 76	12.7	0.6	0.7 ~ 1.0	27.5	1
SNB 72- 95	72 ~ 95	12.7	0.6	0.7 ~ 1.0	30	1
SNB 91-114	91 ~ 114	12.7	0.6	0.7 ~ 1.0	34.5	1
SNB105-127	105 ~ 127	12.7	0.6	0.7 ~ 1.0	37.5	1
SNB117-140	117 ~ 140	12.7	0.6	0.7 ~ 1.0	39.5	1
SNB130-153	130 ~ 153	12.7	0.6	0.7 ~ 1.0	41.5	1
SNB142-165	142 ~ 165	12.7	0.6	0.7 ~ 1.0	43.5	1
SNB155-178	155 ~ 178	12.7	0.6	0.7 ~ 1.0	46.5	1
SNB168-191	168 ~ 191	12.7	0.6	0.7 ~ 1.0	49	1
SNB181-204	181 ~ 204	12.7	0.6	0.7 ~ 1.0	51	1
SNB194-217	194 ~ 217	12.7	0.6	0.7 ~ 1.0	52.5	1
SNB207-230	207 ~ 230	12.7	0.6	0.7 ~ 1.0	57	1
SNB220-243	220 ~ 243	12.7	0.6	0.7 ~ 1.0	59.5	1
SNB233-256	233 ~ 256	12.7	0.6	0.7 ~ 1.0	62.5	1
SNB246-269	246 ~ 269	12.7	0.6	0.7 ~ 1.0	64	1
SNB259-282	259 ~ 282	12.7	0.6	0.7 ~ 1.0	67.5	1
SNB272-295	272 ~ 295	12.7	0.6	0.7 ~ 1.0	70	1
SNB285-308	285 ~ 308	12.7	0.6	0.7 ~ 1.0	71	1

■ Recommended torque listed is for reference only; actual may differ. Assemble after testing torque.

SNB Strap required

Suitable series	Suitable models						Required
SSK series	SSK-S1	SSK-160	SSK-170	SSK-200	SSK-210	SSK-250	2
	SSK-280	SSK-300	SSK-350	SSK-400	SSK-530		
WGMB series	WGMB-1W						1

PKB series

POLE MOUNTING BELT



PKB-10PM, 10P



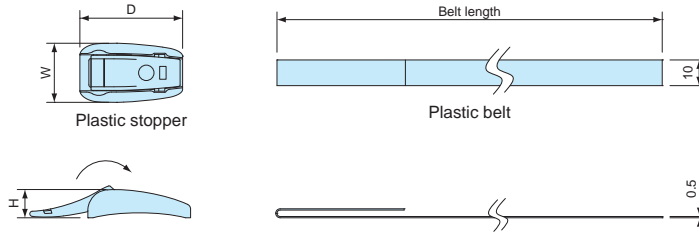
PKB-10S, 20S

- Pole mounting belt for attachment of enclosures with suitable pole mount brackets or construction onto poles.
- Designed for one time use only (not reusable).
- Strong stainless steel clamping type and easy installation plastic type are available.

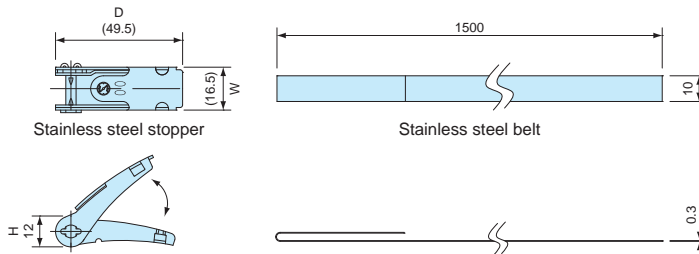
PKB dimensions

■ DXF/DWG/PDF drawings available on our website.

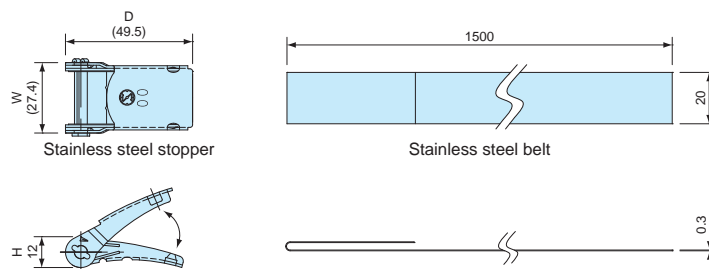
PKB-10PM, 10P



PKB-10S



PKB-20S



Components

No.	Part name	Material	Color / Finish
1	Stopper	Stainless steel SUS304 • POM	Barrel finish • Black
2	Belt	Stainless steel SUS430 • PET	Bright annealed finish • Gray

Product no. / Dimensions

Product no.	W	D	H	Belt length	Belt material	Tensile strength (horizontal)	Weight (g)	Pack of
PKB-10PM	24	23	11	500 mm	PET	0.8kN	14	2
PKB-10PM	23	40	11	1,500 mm	PET	1.3kN	31.8	2
PKB-10S	16.5	49.5	12	1,500 mm	Stainless steel SUS304	1.4kN	101.6	2
PKB-20S	27.4	49.5	12	1,500 mm	Stainless steel SUS430	2.9kN	182.2	2