

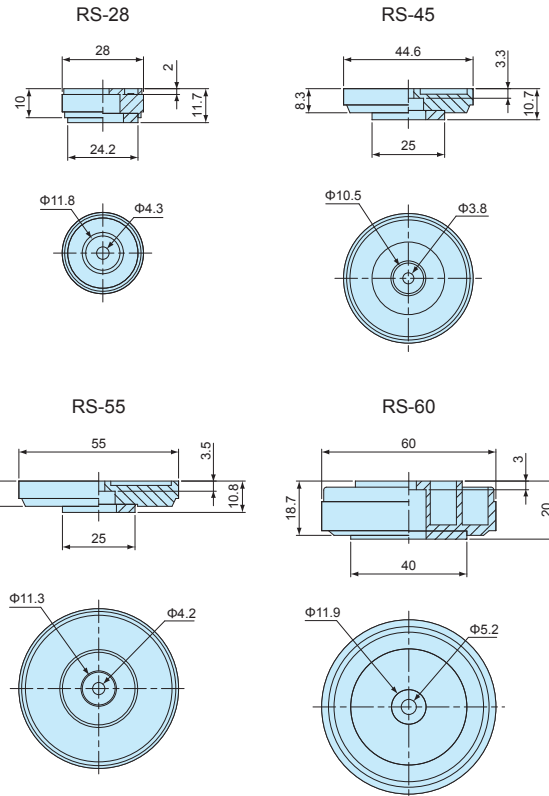
RS series

PLATED PLASTIC FEET



- Suitable for audio equipment use.
- Elastomeric foam pad can be found at the underside of the feet.

RS dimensions



■ DXF/DWG/PDF drawings available on our website.

Product no. / Dimensions

| Product no. | | Material | Pack of |
|-------------|--------|------------------------------|---------|
| ● Silver | ● Gold | | |
| RS-28S | RS-28G | ABS UL94HB / Polyester / EVA | 4 |
| RS-45S | RS-45G | ABS UL94HB / Polyester / EVA | 4 |
| RS-55S | RS-55G | ABS UL94HB / Polyester / EVA | 4 |
| RS-60S | RS-60G | ABS UL94HB / Polyester / EVA | 4 |

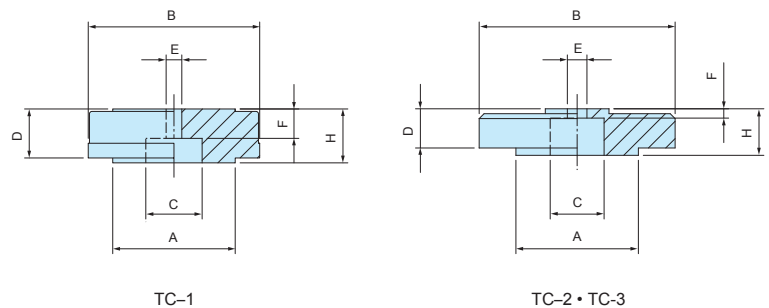
TC series

ALUMINIUM FEET



- Aluminium material gives it a refined and elegant look.
- Suitable for audio equipment use.
- Elastomeric foam pad can be found on the underside of the feet.

TC dimensions



■ DXF/DWG/PDF drawings available on our website.

Product no. / Dimensions

| Product no. | | A | B | C | D | E | F | H | Material | Pack of |
|-------------|--------|----|----|------|------|-----|-----|------|------------------------------|---------|
| ● Silver | ● Gold | | | | | | | | | |
| TC-1S | TC-1G | 25 | 35 | 11.5 | 9.7 | 3.4 | 5.6 | 11.5 | ABS UL94HB / Aluminium / EVA | 4 |
| TC-2S | TC-2G | 25 | 40 | 11 | 10.4 | 4.1 | 2.4 | 12.5 | ABS UL94HB / Aluminium / EVA | 4 |
| TC-3S | TC-3G | 25 | 45 | 11.7 | 13 | 4.2 | 7.5 | 15 | ABS UL94HB / Aluminium / EVA | 4 |