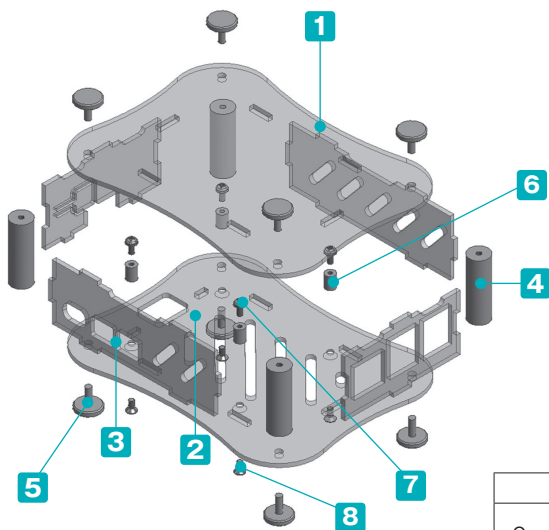


RPA-4B-1F is compatible with VESA Mount Standards (100 x 100mm), and can be installed on the back side of PC displays, etc.



- Exclusively for use with Raspberry Pi models.
- 3 different Single desktop, Dual desktop, and Single flanged are available.
- New size for Raspberry Pi 5 is now available.
- The panel power button part may easily bend when the board is not installed.
- Raspberry Pi board is not included.

※Ethanol or other alcoholic solvents may cause the acrylic panel to crack.
Use a neutral cleaner or specialized acrylic cleaning solvent for cleaning.

Technical Data

Operating temperature : -30°C ~ +60°C

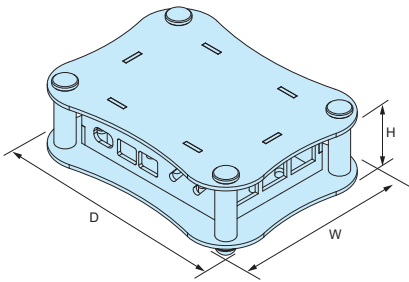
※Included screws : RPA-4B • 5-1 Knurled thumb screw x 8
RPA-4B • 5-2 Knurled thumb screw x 8
RPA-4B • 5-1F Knurled thumb screw x 4
M3-8 flat head, Trivalent chromate x 4

Components

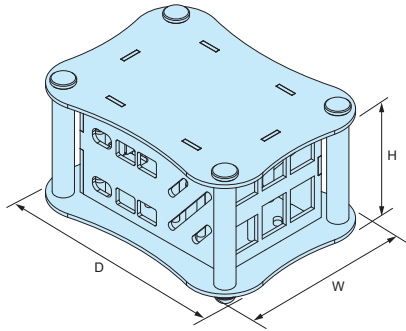
No.	Part name	Pcs	Material	Color / Finish
1	Top cover	1	Acrylic t=2.0	Transparent
2	Bottom cover	1	Acrylic t=2.0	Transparent
3	Panel	4	Acrylic t=2.0	Transparent
4	Pillar	4	Extruded aluminium A6063S-T5	Silver / Anodized with clear coating
5	Knurled thumb screw (M3-8)※	4 / 8	Brass	Nickel plated
6	Standoff (for board)	4	Brass	Nickel plated
7	Screw for Board (M2.5-4 pan head)	4	Steel	Trivalent chromate
8	Screw for Standoffs (M2.5-5 flat head)	4	Steel	Trivalent chromate

RPA dimensions

RPA-4B-1
RPA-5-1 (Single desktop)

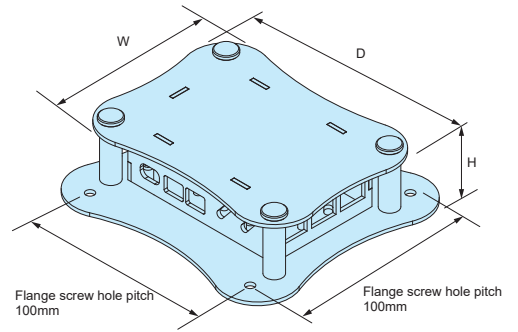


RPA-4B-2
RPA-5-2 (Dual desktop)



■ DXF/DWG/PDF/STP drawings available on our website.

RPA-4B-1F
RPA-5-1F (Single flanged))



Product no. / Details

Product no.	External Dimension			Suitable model	Included accessory	Weight(g)
	W	H	D			
RPA-4B-1	95	34	125	Raspberry Pi 4B	Rubber feet	118
NEW RPA-5-1	95	34	125	Raspberry Pi 5	Rubber feet	113.5
RPA-4B-2	95	62	125	Raspberry Pi 4B	Rubber feet Round spacer (M2.5-25)	171.5
NEW RPA-5-2	95	62	125	Raspberry Pi 5	Rubber feet Round spacer (M2.5-25)	166.5
RPA-4B-1F	95	34	125	Raspberry Pi 4B	—	118.5
NEW RPA-5-1F	95	34	125	Raspberry Pi 5	—	113.5

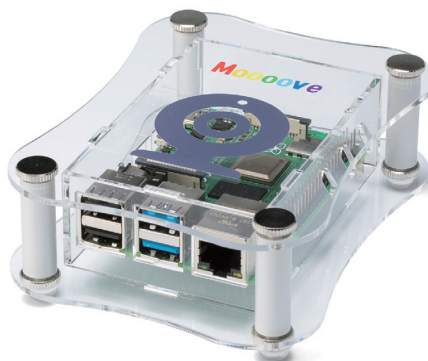
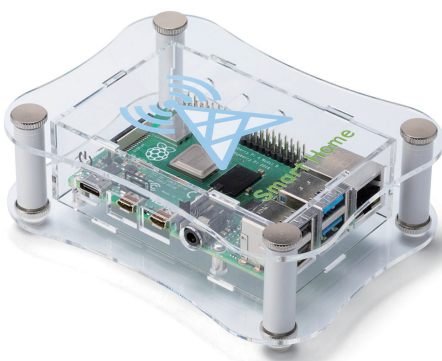
■ Rubber feet : Polyurethane / Transparent Round spacer : Brass / Nickel plated

Raspberry Pi Case Customization

Unique Logo (Inkjet print, Engraving)

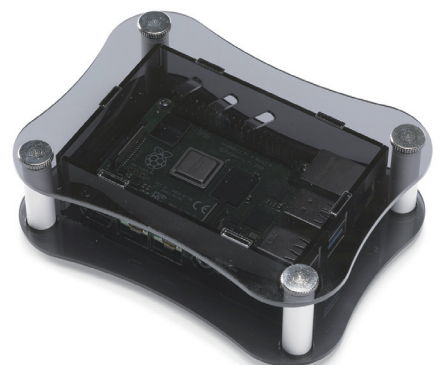
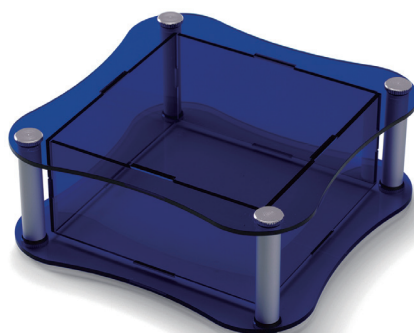
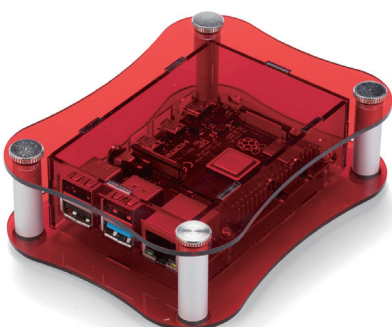
See our website for further details.

Various print processing methods are available, with no Minimum Order Quantity requirement!

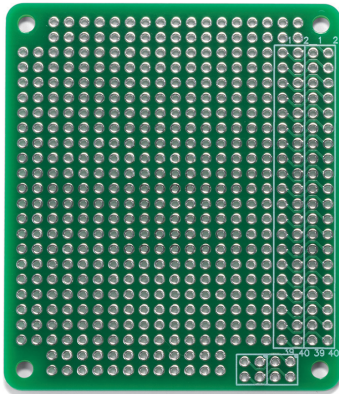


Color Variation

Available in different color types, as well as smoked / tinted shades.

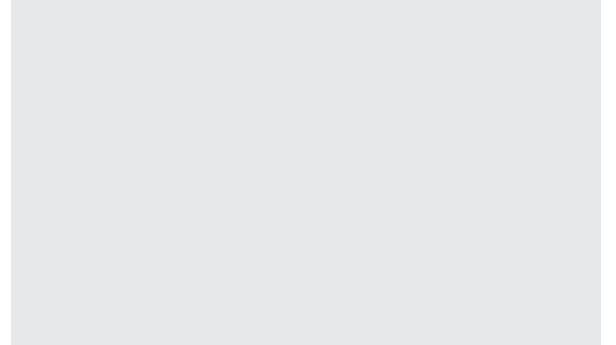


RPCB-4B



RPCB-5

Installation example



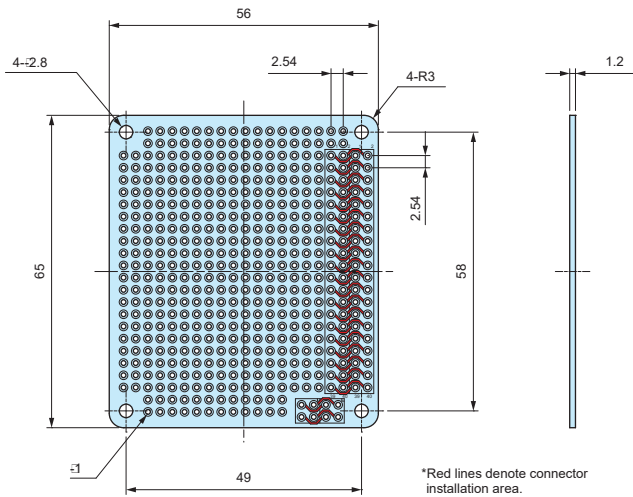
- Raspberry Pi Board is not included.
- Connector, spacer, and mounting screw set are sold separately.

- Material / Finish : Glass epoxy (FR-4) / Through-hole - Lead-free solder resist
- Expansion PCB for standard Raspberry Pi boards. Use to install expansion parts or components.
- Environmentally friendly lead-free solder. RoHS3 compliant.

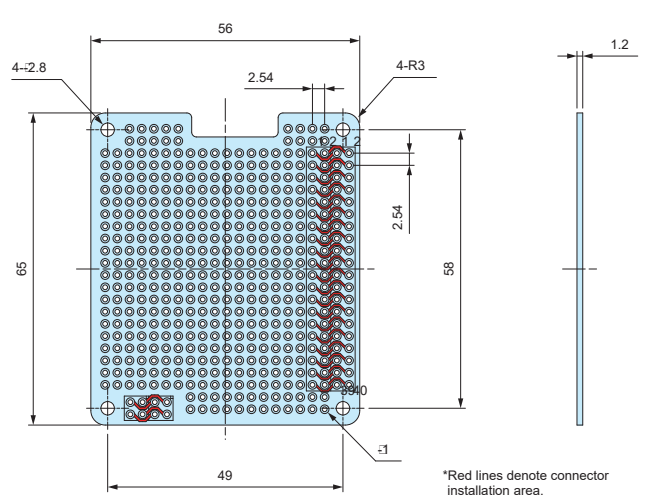
RPCB dimensions

■ DXF/DWG/PDF drawings available on our website.

RPCB-4B



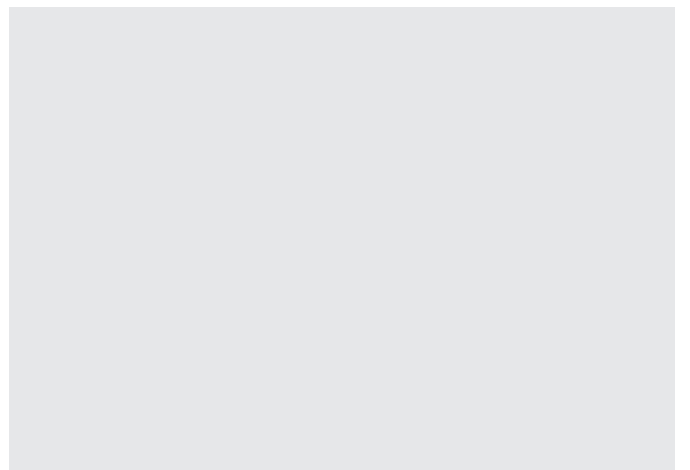
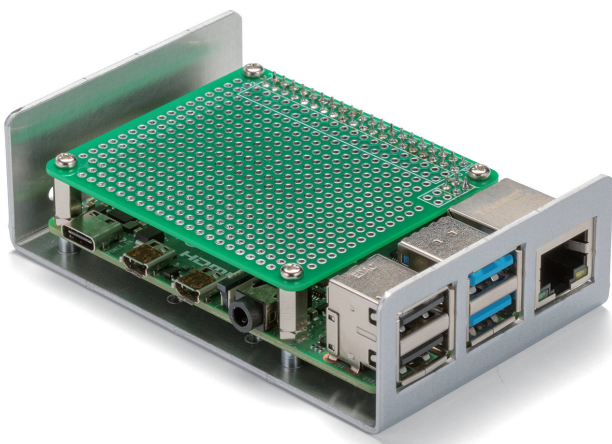
RPCB-5



Product no. / Details

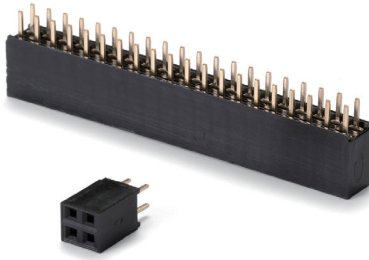
Product no.	Pack of	Suitable model
RPCB-4B	1	Raspberry Pi 4B
NEW RPCB-5	1	Raspberry Pi 5

- Expansion PCB can also be utilized on RPI-4B and RPA series cases.



RPS series

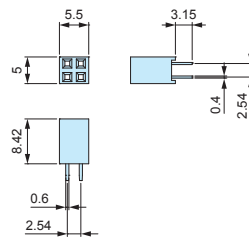
PIN SOCKET CONNECTOR for RPCB



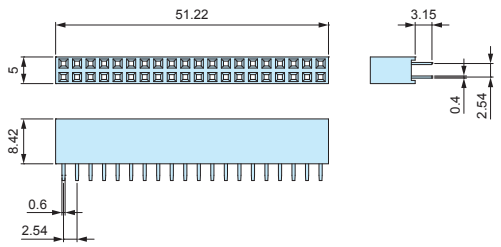
RPS dimensions

DXF/DWG/PDF drawings available on our website.

RPS2-2



RPS2-20



- Material / Color : (Socket) FRPBT UL94V-0 /Black • (Pin) Phosphor bronze
- 2.54mm hole-to-hole pitch pin socket connector. Utilize with RPCB expansion PCB for Raspberry Pi series.

Technical Data

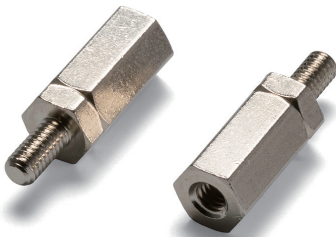
Operating temperature : -55°C ~ +105°C
 Rated voltage : DC500V
 Rated current : 1.0A

Product no. / Details

Product no.	Pin layout	Pack of
RPS2-2	4 (2 pin x 2)	1
RPS2-20	40 (20 pin x 2)	1

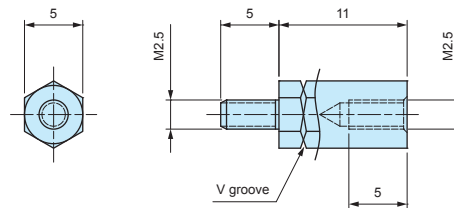
RPSP2.5-11

HEXAGONAL STANDOFF



RPSP2.5-11 dimensions

DXF/DWG/PDF drawings available on our website.



- Material / Finish : Brass / Nickel plated
- Brass hexagonal standoff with M2.5 threads on both male and female sides. Utilize with RPCB expansion PCB for Raspberry Pi series.

Product no. / Details

Product no.	Pack of
RPSP2.5-11	4

MT2.5-4

MOUNTING SCREW for RPSP2.5-11

MT2.5-4 dimensions



- Material / Finish : Steel / Trivalent chromate
- Utilize when affixing RPCB expansion PCB.

Product no. / Details

Product no.	Pack of
MT2.5-4	4