



**TAKACHI ELECTRONICS ENCLOSURE CO., LTD.**

3-21-16 Higashi-ryoke, Kawaguchi-shi, Saitama, 332-0003 JAPAN

Tel. +81-48-222-5409 / Fax. +81-48-222-7652

January 30, 2023

Updated on June 30, 2023

## NOTICE

### Material, Color, and Color Code Change

Affected series and changes:

- **Material Change :** MY series  
 Holder : PC + ABS → ABS  
 Grip + Blind Cap : PP + Elastomer → Elastomer
- **Color Change :** MS, MO, MSN, MON, MSY, MOY, MSR, MOR, MN, MY, MSM series
- **Color Code Change :** MS, MO, MSN, MON, MSY, MOY, MSR, MOR series

Click below illustrations to check **Current (Old)** and **New** colors on your browser.

**Current (Old) Color Code :** [G](#)

**New Color Code :** [GS](#)

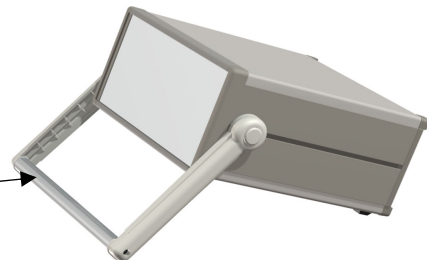
**MS · MO series**



**MN · MO series**



**MSN · MON series**

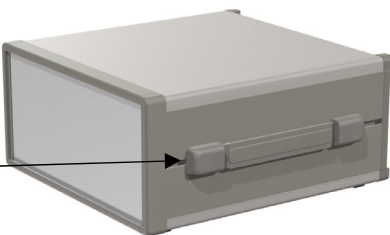


MN series  
Tip-Up Handle

**MSN · MON series**



**MSY · MOY series**



MY series  
Carrying Handle



**MSY · MOY series**



**MSR · MOR series**



MSM series  
Rack Mount Bracket

**MSR · MOR series**



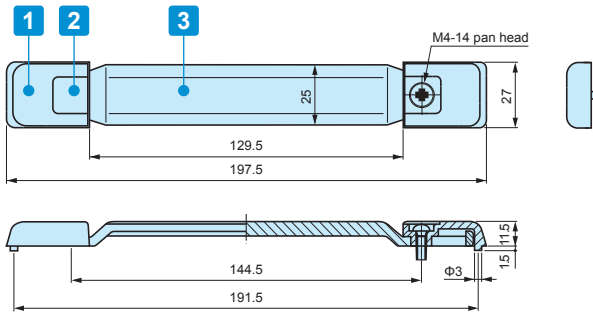
- **Functionality:** No changes to functionality, size / dimensions, or finish.
- **Purpose:** To ensure consistent quality throughout via streamlined supply chain and materials.
- **Period:** 2023 July → [2023 September \(Updated on June 30, 2023\)](#)
- **No changes to pricing.**

Thank you for your understanding.

For more information, kindly contact us at: [sales@takachi-el.co.jp](mailto:sales@takachi-el.co.jp)

**MY** series

# CARRYING HANDLE for MS • MO



■ DXF/DWG/PDF drawings available on our website.

## Components

No.	Part name	Pcs	Material	Color / Finish
1	Holder	2	ABS	Gray • Black
2	Blind cap	2	Elastomer	Gray • Black
3	Grip	1	Elastomer	Gray • Black
4	Screw (M4-14 pan head)	2	Steel	Trivalent chromate
—	Slide nut	2	Brass • Polyethylene	Nickel plated • Black

## Product no. / Dimensions

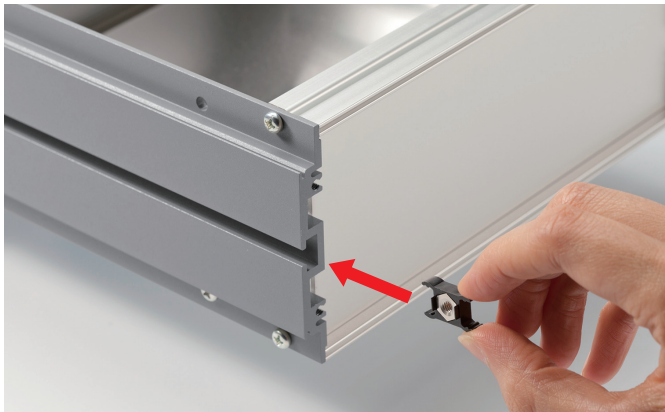
Product no.		Tensile Strength
● Gray	● Black	
MY-197G	MY-197B	20kgf

■ Not applicable for use on 160mm "D" dimension enclosures.

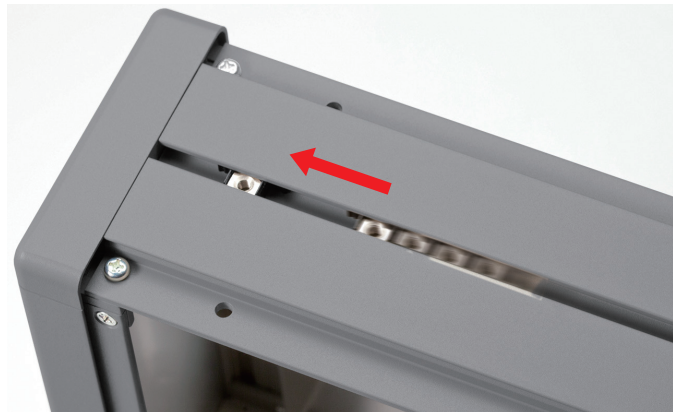
■ If chemicals, cutting oil, etc. adhere to or come into contact with areas where tensile stress is generated, there is a possibility that cracks may occur due to the synergistic effect of the chemicals and stress. Be careful of the usage environment and the handling of the product.

## How to install MN • MY handles

Insert the nut into the groove on the side frame.



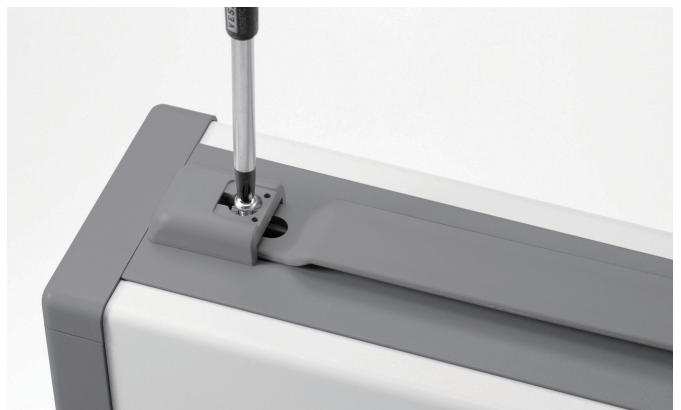
Slide the nut into position.



MN handle installation

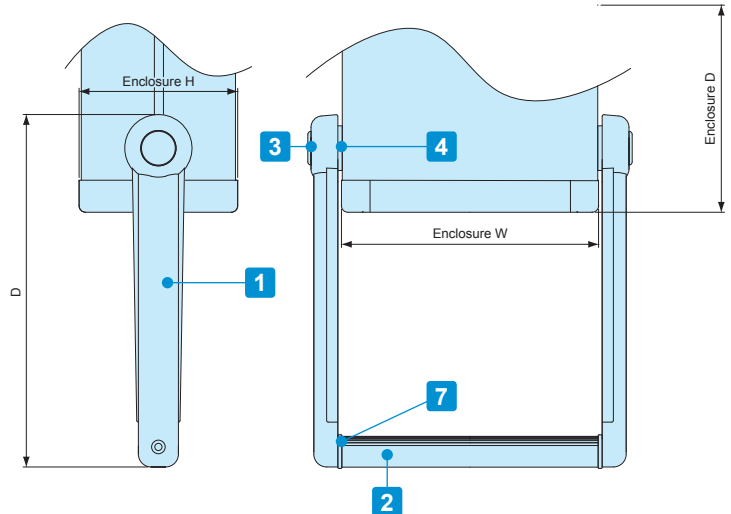


MY handle installation



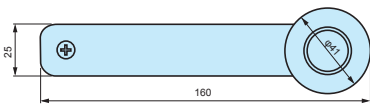
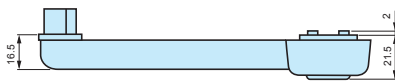
**MN** series

# TIP-UP HANDLE for MS • MO

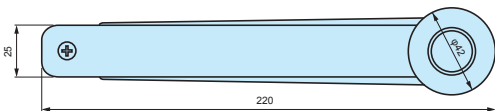


## Bracket Details

MN□-16

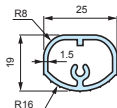
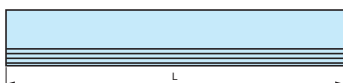


MN□-22



■ DXF/DWG/PDF drawings available on our website.

## Grip Details



## Components

No.	Part name	Pcs	Material	Color / Finish
1	Bracket	2	ABS UL94HB	Light gray • Black
2	Grip	1	Extruded aluminium A6063S-T5	Silver anodized • Black anodized
3	Blind cap	2	Polyethylene	Light gray • Black
4	Stator	2	Diecast aluminium ADC12	Light gray • Black
—	Rotor	2	ABS UL94HB	Light gray • Black
—	Spring	2	Stainless steel	Unfinished
7	Spacer	2	Polyethylene	Light gray • Black
—	Self-tapping screw (M4-20)	2	Steel	Black trivalent chromate
—	Screw (M5-16 pan head with spring washer)	2	Steel	Trivalent chromate
—	Slide nut	2	Steel • Polyethylene	Nickel plated • Black

■ Caution : Blind cap cannot be re-attached once affixed.

## Product no. / Dimensions

Product no.		Dimensions	
● Light gray / Silver	● Black	L	D
MN16-16G	MN16-16B	160	160
MN16-22G	MN16-22B	160	220
MN21-16G	MN21-16B	210	160
MN21-22G	MN21-22B	210	220
MN26-16G	MN26-16B	260	160
MN26-22G	MN26-22B	260	220
MN32-16G	MN32-16B	320	160
MN32-22G	MN32-22B	320	220
MN37-16G	MN37-16B	370	160
MN37-22G	MN37-22B	370	220
MN43-16G	MN43-16B	430	160
MN43-22G	MN43-22B	430	220

## Handle matching chart

Product no.	Enclosure W	Enclosure H	Enclosure D	Product no.	Enclosure W	Enclosure H	Enclosure D
MN16-16□	160	66,88,99	160,230	MN16-22□	160	66,88,99	280
		133,149,177	160			133,149,177,199,222	230,280
MN21-16□	210	66,88,99	160,230	MN21-22□	210	66,88,99	280,350
		133,149,177	160			133,149,177,199,222	230 ~ 350
MN26-16□	260	66,88,99	230	MN26-22□	260	66,88,99	280,350
						133,149,177,199,222	230 ~ 350
MN32-16□	320	66,88,99	230	MN32-22□	320	66,88,99	280 ~ 450
						133,149,177,199,222	230 ~ 450
MN37-16□	370	66,88,99	230	MN37-22□	370	66,88,99	280 ~ 450
						133,149,177,199,222	230 ~ 450
MN43-16□	430	66,88,99	230	MN43-22□	430	66,88,99	280 ~ 450
						133,149,177,199,222	230 ~ 450