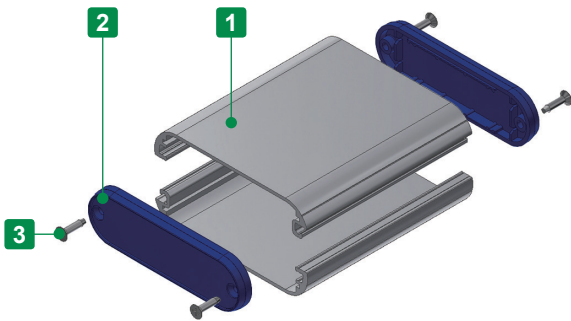




- Custom sized mobile enclosure with customizable D length from 35 to 500mm in 1mm intervals.
- Selectable in 8 different width/height variations.
- Available in 12 different color combinations.



Accessories (Optional parts)



Silicone band SIB series
See page 196

Components

| No. | Part name | Pcs | Material | Color / Finish |
|-----|--------------------|-----|------------------------------|--|
| 1 | Frame | 2 | Extruded aluminium A6063S-T5 | Silver • Black / Anodized with clear coating |
| 2 | Panel | 2 | ABS UL94HB | Gray • Black / Unpainted Navy • Lime • Orange • Red / Painted |
| 3 | Self-tapping screw | 4 | Steel | Nickel plated • Black trivalent chromate |

Lead Time

Custom Size Only
Custom Size + Hole Milling

4 business days (1 ~ 10 pcs)
10 business days (1 ~ 10 pcs)

Order Inquiry

For more information, contact us here at sales@takachi-el.co.jp

CUSTOM SIZE WEB QUOTATION

Send your inquiry via our online form now!

Visit the MXC product page on our website, click on the "CUSTOM SIZE WEB QUOTATION" button, and fill in the required details. The product number will be generated, and once your information have been filled in, simply click on SUBMIT and await for our sales team's contact!

1 Dimensions

To select W-H dimensions from the table below, and D length in 1mm intervals.

| W-H No. | Frame Width / Height | W-H No. | Frame Width / Height |
|---------|----------------------|---------|----------------------|
| 41-15 | | 82-24 | |
| 57-18 | | 95-40 | |
| 70-20 | | 110-30 | |
| 70-35 | | 130-35 | |

D length

D length 35 ~ 500mm (1mm intervals)

| W-H No. | a | W-H No. | a |
|---------|-------|---------|-------|
| 41-15 | D-5.4 | 82-24 | D-5.4 |
| 57-18 | D-5 | 95-40 | D-7 |
| 70-20 | D-5.4 | 110-30 | D-5.4 |
| 70-35 | D-7 | 130-35 | D-5.6 |

■ D length can be requested in 0.1mm intervals, but with higher tolerances (±0.3mm).

2 Color

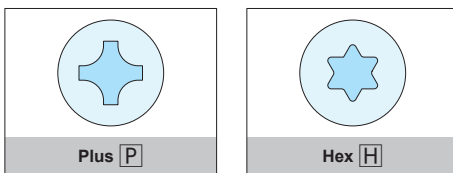
To select color code from the table below.

Panel color : Black • Gray / Unpainted - Other colors / Painted

| Code | B B Black / Black | B G Black / Gray | B N Black / Navy | B L Black / Lime | B O Black / Orange | B R Black / Red |
|-------|--------------------|-------------------|-------------------|-------------------|---------------------|------------------|
| Color | | | | | | |
| Code | S B Silver / Black | S G Silver / Gray | S N Silver / Navy | S L Silver / Lime | S O Silver / Orange | S R Silver / Red |
| Color | | | | | | |

3 Screw

To select screw type.



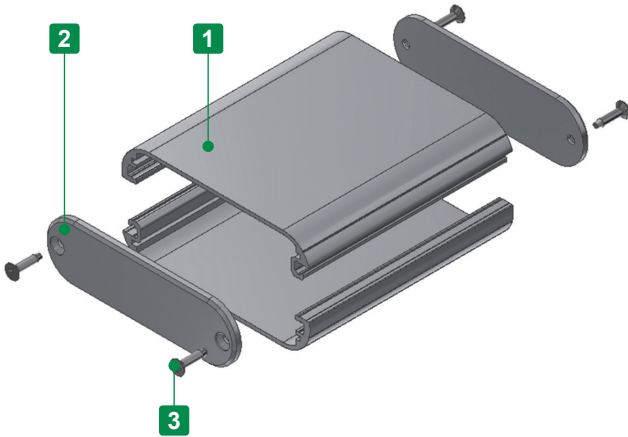
Product Number

To determine a product number, fill W-H and D, select Color code and Screw type in the following blank boxes.

Product no. MXC - -

1 W-H **1** D length **2** Color code **3** Screw type

Numbering example: W-H:57-18 x D:123, SB color code and Plus screw type → **MXC57-18-123SBP**



- Custom sized all aluminium mobile enclosure with customizable D length from 25 to 500mm in 1mm intervals.
- Selectable in 8 different width/height variations.
- Available in 14 different color combinations.
- Flat aluminium panels for easy customization as CNC machining or printing.

Accessories (Optional parts)



Silicone band SIB series
See page 196

Embedded battery box BC series
See page 125 ~ 128

Components

| No. | Part name | Pcs | Material | Color / Finish |
|-----|--------------------|-----|------------------------------|--|
| 1 | Frame | 2 | Extruded aluminium A6063S-T5 | Silver • Black / Anodized with clear coating |
| 2 | Panel | 2 | Aluminium A1050P | Black • Silver • Cobalt • Green • Purple • Orange • Red / Anodized |
| 3 | Self-tapping screw | 4 | Steel | Nickel plated • Black trivalent chromate |

Lead Time

Custom Size Only
Custom Size + Hole Milling

4 business days (1 ~ 10 pcs)
10 business days (1 ~ 10 pcs)

Order Inquiry

For more information, contact us here at sales@takachi-el.co.jp

CUSTOM SIZE WEB QUOTATION

Send your inquiry via our online form now!

Visit the MXAC product page on our website, click on the "CUSTOM SIZE WEB QUOTATION" button, and fill in the required details. The product number will be generated, and once your information have been filled in, simply click on SUBMIT and await for our sales team's contact!

1 Dimensions

To select W-H dimensions from the table below, and D length in 1mm intervals.

| W-H No. | Frame Width / Height | W-H No. | Frame Width / Height |
|---------|----------------------|---------|----------------------|
| 41-15 | | 82-24 | |
| 57-18 | | 95-40 | |
| 70-20 | | 110-30 | |
| 70-35 | | 130-35 | |

D length

D length 25 ~ 500mm (1mm intervals)

Available range (frame length) a

- $a = D - 6$ (all models)
- D length can be requested in 0.1mm intervals, but with higher tolerances (± 0.3 mm).

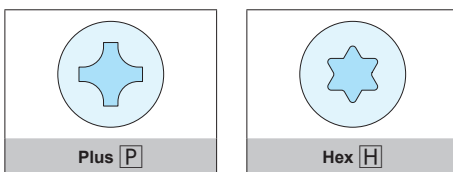
2 Color

To select color code from the table below.

| | | | | | | | |
|-------|--------------------|---------------------|---------------------|--------------------|---------------------|---------------------|------------------|
| Code | B B Black / Black | B S Black / Silver | B C Black / Cobalt | B G Black / Green | B P Black / Purple | B O Black / Orange | B R Black / Red |
| Color | | | | | | | |
| Code | S B Silver / Black | S S Silver / Silver | S C Silver / Cobalt | S G Silver / Green | S P Silver / Purple | S O Silver / Orange | S R Silver / Red |
| Color | | | | | | | |

3 Screw

To select screw type.



Product Number

To determine a product number, fill W-H and D, select Color code and Screw type in the following blank boxes.

Product no. MXAC - -

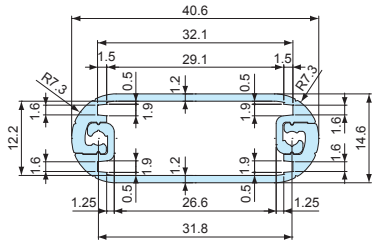
1 W-H **1** D length **2** Color code **3** Screw type

Numbering example: W-H:57-18 x D:123, SB color code and Plus screw type → **MXAC57-18-123SBP**

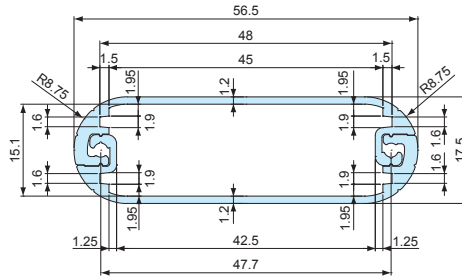
Cross-section view of frame

■ DXF/DWG/PDF drawings available on our website.

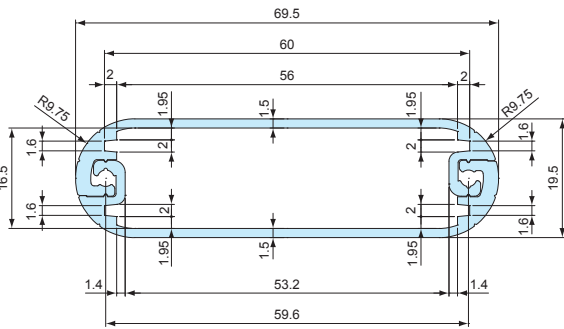
MXAC/MXC41-15-□



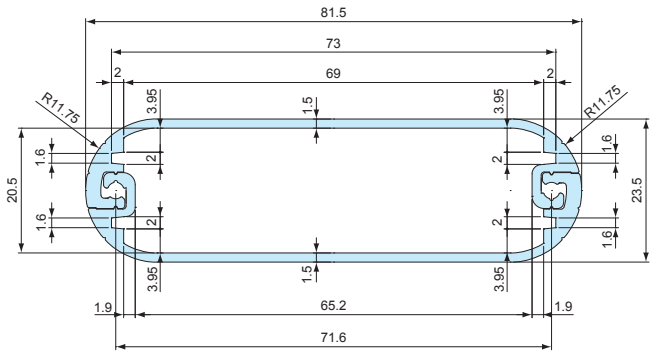
MXFC61-23-□
MXAC/MXC57-18-□



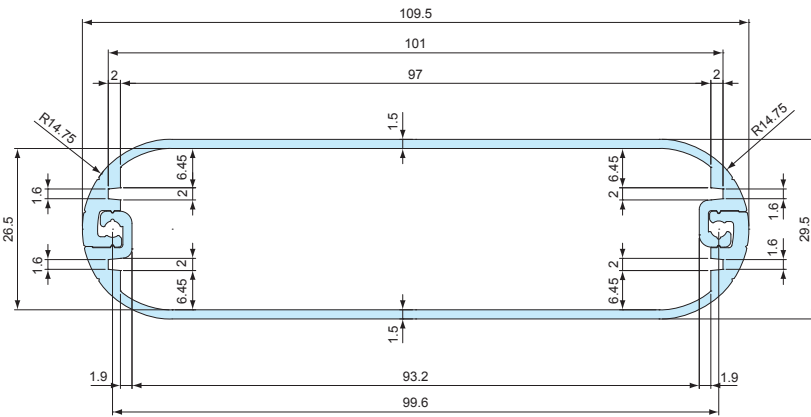
MXAC/MXC70-20-□



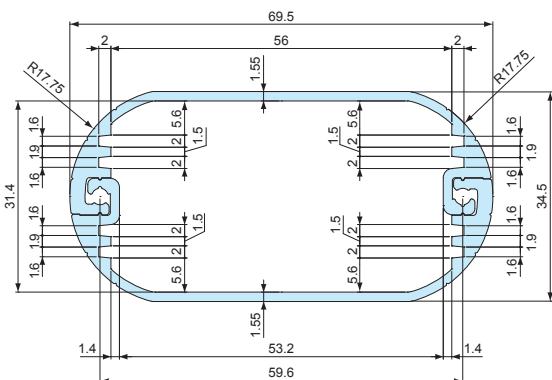
MXFC86-30-□
MXAC/MXC82-24-□



MXFC114-36-□
MXAC/MXC110-30-□



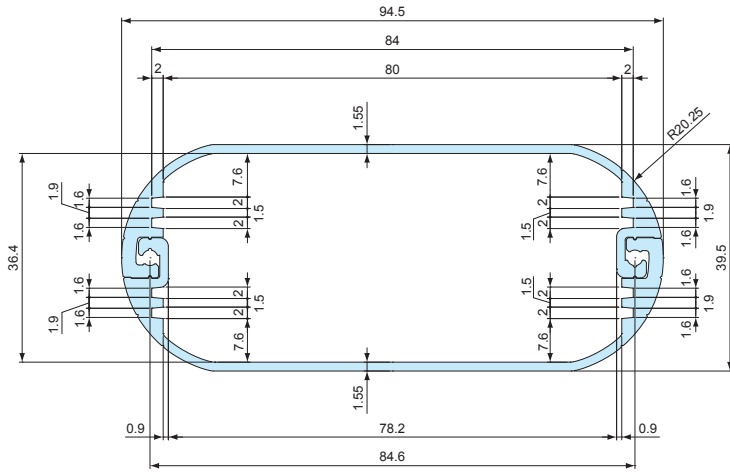
MXAC/MXC70-35-□



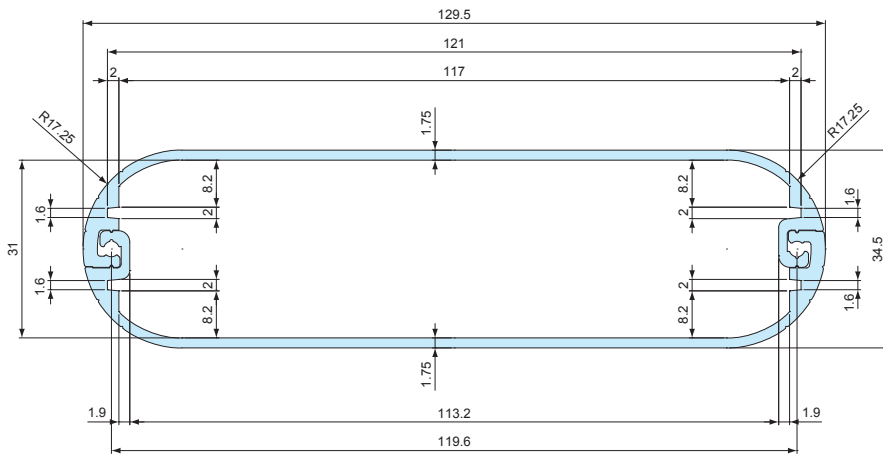
Cross-section view of frame

■ DXF/DWG/PDF drawings available on our website.

MXAC/MXC95-40-□



MXFC134-41-□
MXAC/MXC130-35-□



| Product no. | Frame length (ℓ) |
|---|---------------------|
| MXAC41-15-□ MXC41-15-□ | D-6 D-12 |
| MXFC61-23-□ MXAC57-18-□ MXC57-18-□ | D-25 D-6 D-10 |
| MXAC70-20-□ MXC70-20-□ | D-6 D-12 |
| MXFC86-30-□ MXAC82-24-□ MXC82-24-□ | D-36 D-6 D-12 |
| MXFC114-36-□ MXAC110-30-□ MXC110-30-□ | D-38 D-6 D-14 |
| MXAC70-35-□ MXC70-35-□ | D-6 D-14 |
| MXAC95-40-□ MXC95-40-□ | D-6 D-16 |
| MXFC134-41-□ MXAC130-35-□ MXC130-35-□ | D-40 D-6 D-16 |

1 Dimensions

To select W-H dimensions from the table below, and D length in 1mm intervals.

| WH No. | Frame Width / Height |
|--------|----------------------|
| 61-23 | |
| 86-30 | |
| 114-36 | |
| 134-41 | |

D length

| W-H No. | a |
|---------|--------|
| 61-23 | D-20 |
| 86-30 | D-29.4 |
| 114-36 | D-29.4 |
| 134-41 | D-29.6 |

■ D length can be requested in 0.1mm intervals, but with higher tolerances (±0.3mm).

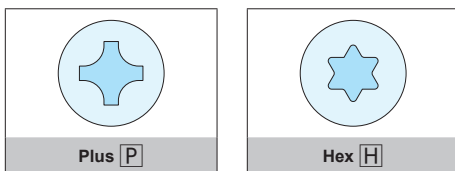
2 Color

To select color code from the table below.

| | | | | |
|-------|--------------------------------|---------------------------------|---------------------------------|---------------------------------|
| Code | B B Black/Black | B G Black / Gray | B N Black / Navy | B L Black / Lime |
| Color | | | | |
| Code | S B Silver/Black | S G Silver / Gray | S N Silver / Navy | S L Silver / Lime |
| Color | | | | |

3 Screw

To select screw type.



Product Number

To determine a product number, fill W-H and D, select Color code and Screw type in the following blank boxes.

Product no. MXFC - -

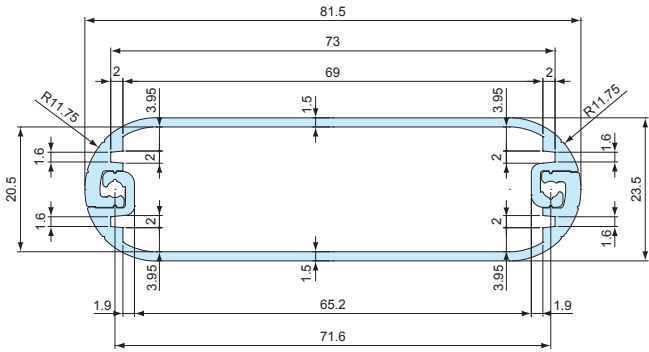
1 W-H
1 D length
2 Color code
3 Screw type

Numbering example: W-H:61-23 x D:123, SB color code and Hex screw type → **MXFC61-23-123SBH**

MXFC frame

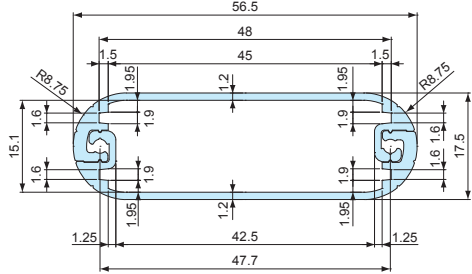
■ DXF/DWG/PDF drawings available on our website.

MXFC86-30-□

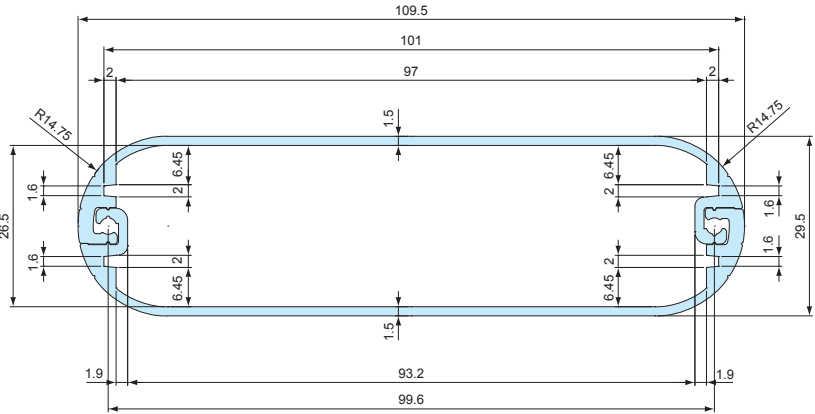


| Model | Fame length (ℓ) |
|--------------|-----------------|
| MXFC61-23-□ | D-25 |
| MXFC86-30-□ | D-36 |
| MXFC114-36-□ | D-38 |
| MXFC134-41-□ | D-40 |

MXFC61-23-□



MXFC114-36-□



MXFC134-41-□

