

MXF • MXB • MXA • MX series ALUMINIUM MOBILE ENCLOSURE

MXF • MXB • MXA • MX mobile enclosures are designed with a beautiful and elegant finish in mind. Having a rounded design, it fits comfortably in your hand, while giving off a simple yet stylish look. Suitable for use in a wide variety of industries, such as a small audio device, or as an amplifier unit, among others.

Selectable from 4 different types: an economical plastic end panel MX series, a luxurious aluminium end panel MXA series, a flanged end panel MXF series, and a protective silicone band MXB series.

APPLICATION EXAMPLE

Fiber Optic LAN Converter



Desktop Audio Preamplifier with USB



Wireless Microphone System



reddot award
product design



Catchbox
Microphone



Catchbox
Receiver



Sound system
of your choice



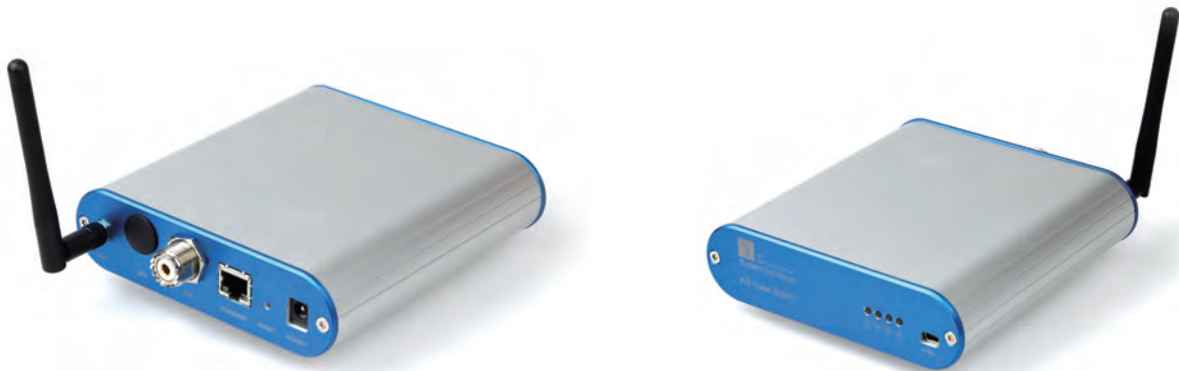
Ethernet Cellular Router



WiFi Access Point



AIS (Automatic Identification System) Signal Receiver



Data Transmitter for Automatic Number Plate Recognition (ANPR) System



IO-Link DEVICE



CAN & LIN Vehicle Communication Simulator / Monitor

Signal Checker / Tester



Audio Power Supply



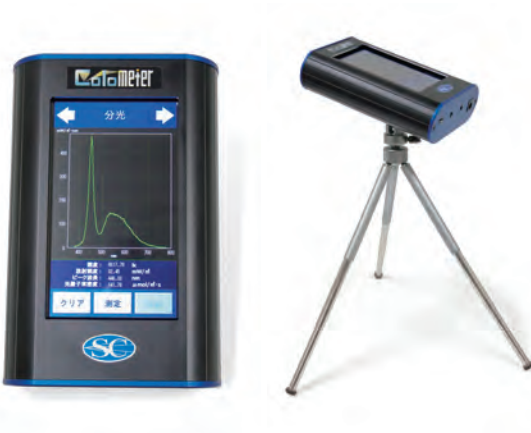
Model Railroad Controller



Portable Frequency Standard Device



Spectral Luminometer



RTD Sensor Tester



Mobile Moisture Meter



Full Color LED Tabletop Lighting Device

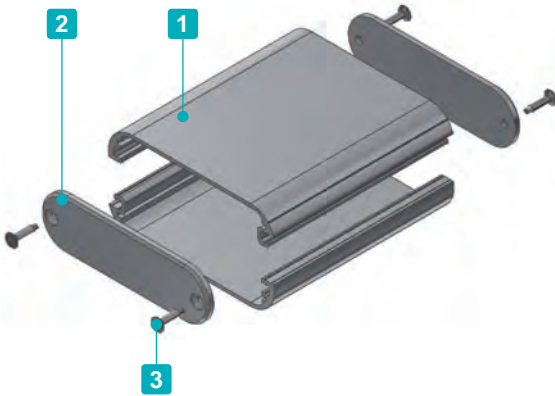


Active EMF Protection Device



Illumination Inverter





- All aluminium mobile enclosure with easy to hold rounded design.
- 14 different color combinations and 24 different sizes available to choose from.
- Suitable to be used as digital audio amplifiers, communication devices, measurement tools, etc.
- Grooves are built into the internal enclosure, allowing for easy sliding/insertion of PCB boards.

Included screws

MXA2-4, 2-6 models : M2.6-14 x 4pcs

MXA2-7, 2-8, 3-11, 4-7, 4-10, 4-13 models : M3-10 x 4 pcs

Components

No.	Part name	Pcs	Material	Color / Finish
1	Frame	2	Extruded aluminium A6063S-T5	Silver • Black / Anodized with clear coating
2	Panel	2	Aluminium A1050P	Black • Silver • Cobalt • Green • Purple • Orange • Red / Anodized
3	Self-tapping screw	4	Steel	Nickel plated • Black trivalent chromate

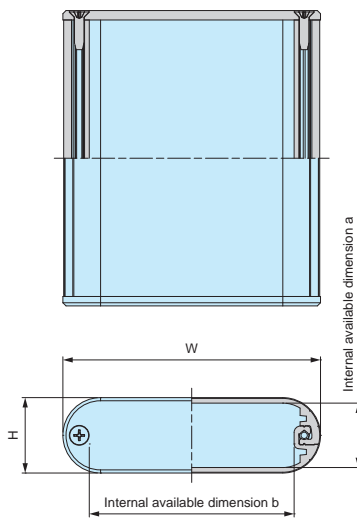
Custom length available in 1mm intervals.



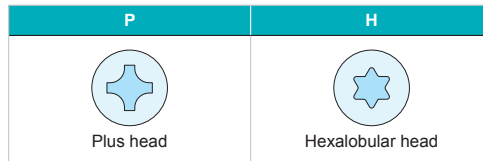
Color Type Please choose from the color combinations listed below



MXA dimensions

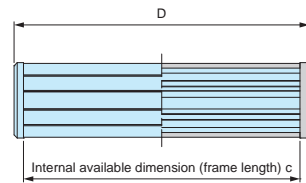


Screw Type



Please request / order by indicating the combination part number as below.

MXA 2 - 4 - 4
Color code Screw P or H



Accessories (Optional parts)



■ DXF/DWG/PDF/STP drawings available on our website.

Product no. / Dimensions

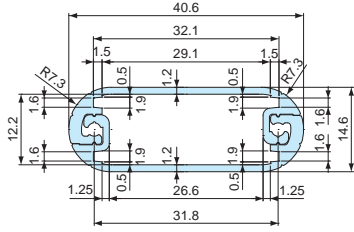
■ Please suffix color and screw code at the end of the product number.

Product no.	H	W	D	a	b	c	Weight (g)
MXA2- 4- 4 □ □	15	41	44	12.2	26.6	38	25
MXA2- 4- 7 □ □	15	41	74	12.2	26.6	68	40
MXA2- 4-10 □ □	15	41	104	12.2	26.6	98	50
MXA2- 6- 5 □ □	18	57	46	15.1	42.5	40	35
MXA2- 6- 7 □ □	18	57	71	15.1	42.5	65	50
MXA2- 6-10 □ □	18	57	96	15.1	42.5	90	65
MXA2- 7- 5 □ □	20	70	54	16.5	53.2	48	55
MXA2- 7- 8 □ □	20	70	84	16.5	53.2	78	80
MXA2- 7-11 □ □	20	70	114	16.5	53.2	108	110
MXA2- 8- 6 □ □	24	82	64	20.5	65.2	58	75
MXA2- 8- 9 □ □	24	82	94	20.5	65.2	88	105
MXA2- 8-12 □ □	24	82	124	20.5	65.2	118	135
MXA3-11- 7 □ □	30	110	72	26.5	93.2	66	115
MXA3-11-11 □ □	30	110	112	26.5	93.2	106	165
MXA3-11-16 □ □	30	110	162	26.5	93.2	156	235
MXA4- 7- 5 □ □	35	70	52	31.4	53.2	46	70
MXA4- 7- 8 □ □	35	70	82	31.4	53.2	76	100
MXA4- 7-11 □ □	35	70	112	31.4	53.2	106	135
MXA4-10- 7 □ □	40	95	70	36.4	78.2	64	120
MXA4-10-11 □ □	40	95	110	36.4	78.2	104	175
MXA4-10-14 □ □	40	95	140	36.4	78.2	134	220
MXA4-13- 9 □ □	35	130	90	31	113.2	84	180
MXA4-13-14 □ □	35	130	140	31	113.2	134	265
MXA4-13-20 □ □	35	130	200	31	113.2	194	370

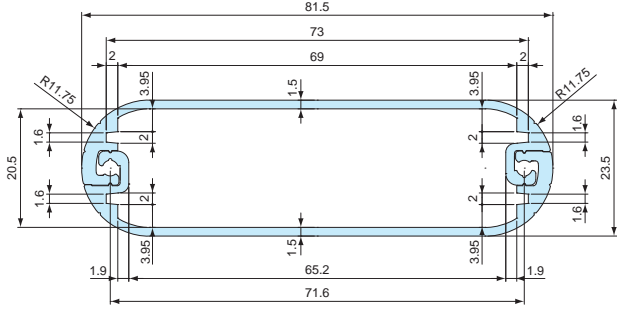
Cross section view of MXF • MXB • MXA • MX frames

■ DXF/DWG/PDF/STP drawings available on our website.

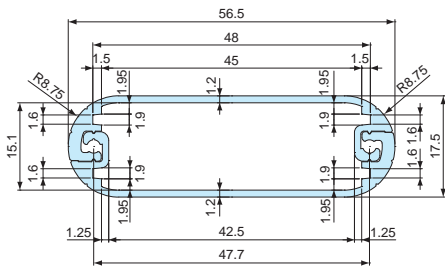
MXF • MXB • MXA • MX2-4-□



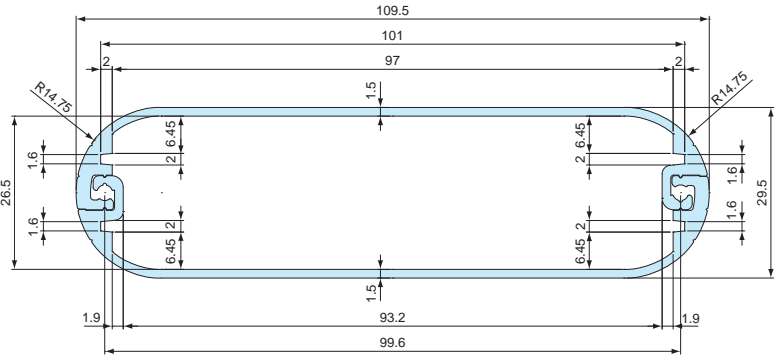
MXF • MXB • MXA • MX2-8-□



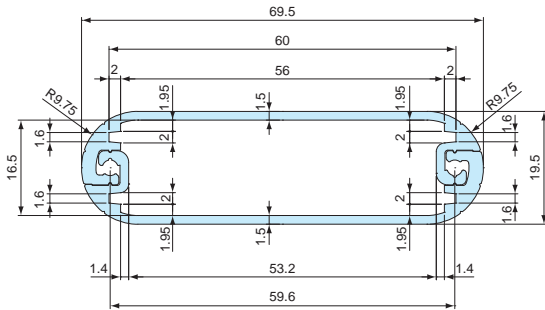
MXF • MXB • MXA • MX2-6-□



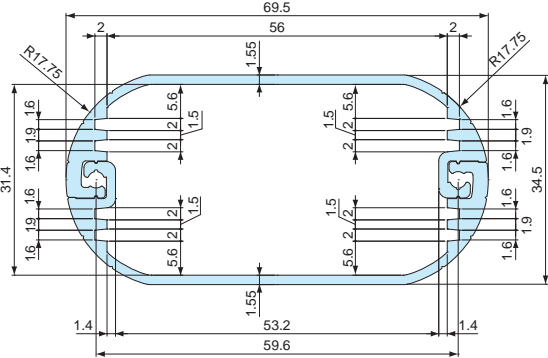
MXF • MXB • MXA • MX3-11-□



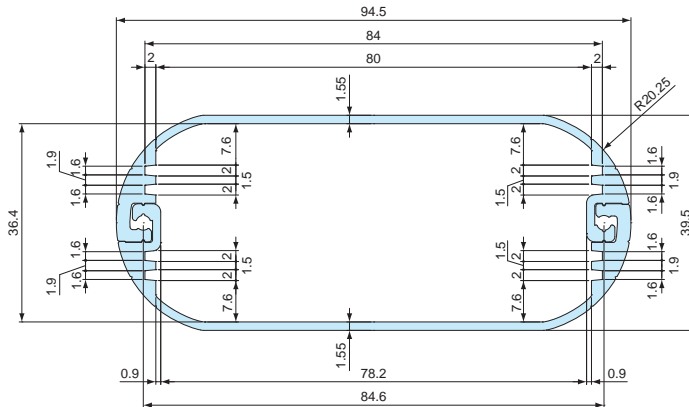
MXF • MXB • MXA • MX2-7-□



MXF • MXB • MXA • MX4-7-□

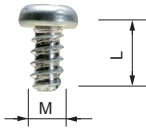


MXF • MXB • MXA • MX4-10-□



EM series

PCB MOUNTING SCREW



- Self-tapping screws for mounting PCB on bosses or standoffs.
- EM-3-6 self-tapping screws are suitable for mounting 1.6mm or thicker PCB.

Product no. / Dimensions

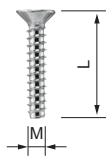
Product no.	M	L	Material	Finish	Suitable models	Pack of
EM-1.6	1.6	4	Steel	Trivalent chromate	CSS • CS WC • PS (M1.6 boss models)	50
EM-2	2	5	Steel	Trivalent chromate	SIC • SIM • WC • PS • TW • TWN • TWF PF • WC • WP (M2 boss models)	50
EM-2.3	2.3	6	Steel	Trivalent chromate	WH • LC • LCT • LCS • LCE • PFE WSC (Top cover bosses) PF • PFF (M2.3 boss models) TW • TWN • TWF (M2.3 boss models) WP (M2.3 boss models)	50
EM-2.3-8	2.3	8	Steel	Trivalent chromate	WSC (Bottom base bosses)	50
EM-2.6	2.6	6	Steel	Trivalent chromate	PF • PFF • WP (M2.6 boss models)	50
EM-3	3	5	Steel	Trivalent chromate	TWS • TW • TWN • TWF (M3 boss models)	50
EM-3-6	3	6	Steel	Trivalent chromate		50

MR series

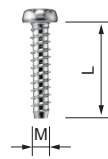
TORX SCREW



Flat head



Pan head



With pin



★ Without pin



★ : MR1.6-6S, MR-2S, MR2.6-10□, and MR3-14□ are without pin.

- Self-tapping torx screws for securing of the enclosure.

Product no. / Dimensions

★ Mark = Without pin

Product no.	M	L	head no.	Head style	Material	Finish	Suitable models	Pack of
MR1.6-6S★	1.6	6	T3	Pan	Steel	Nickel plated	CSS • CS	20
MR2.5-8PS	2.5	8	T8	Pan	Steel	Nickel plated	PF • PFE • PFF (M2.5 size)	20
MR2.6-10S★	2.6	10	T8	Flat	Steel	Nickel plated	TW • TWN (M2.6 size) TWF (M2.6 size)	20
MR2.6-10B★	2.6	10	T8	Flat	Steel	Black trivalent chromate	MX • MXA • MXB • MXF (M2.6 size)	20
MR2.6-12PS	2.6	12	T8	Pan	Steel	Nickel plated	LCT • LCS • LC115-F2 / F3 LCT • LCS • LC145S-F6	20
MR2.6-14PS	2.6	14	T8	Pan	Steel	Nickel plated	LCT • LCS • LC115H-F2 / F3 / M2 / 9V LCT • LCS • LC135-F4 / M2 / M3 / 9V LCT • LCS • LC135H-F4 / M2 / M3 / 9V LCT • LCS • LC145-F6 / M2 / M4 LCT • LCS • LC145H-F6 / M2 / M4 LCT • LCS • LC165-M4 LCT • LCS • LC165H-M4	20
MR2.6-14S	2.6	14	T8	Flat	Steel	Nickel plated	LCT • LCS • LC115-N / F2 / F3 LCT • LCS • LC145S-F6 / 145S-N LCE115-N TW • TWN7-2-11 / 7-4-11 / 7-5-11 TWF7-2-11 / 7-4-11 / 7-5-11 / 8-2-8 / 8-4-8	20
MR2.6-18S	2.6	18	T8	Flat	Steel	Nickel plated	LCT • LCS • LC115H-N / F2 / F3 / M2 / 9V LCT • LCS • LC135-N / F4 / M2 / M3 / 9V LCT • LCS • LC135H-N / F4 / M2 / M3 / 9V LCT • LCS • LC145-N / F6 / M2 / M4 LCT • LCS • LC145H-N / F6 / M2 / M4 LCT • LCS • LC165-N / M4 LCT • LCS • LC165H-N / M4 LCE115H-N • LCE135-N • LCE145H-N • LCE165H-N	20
MR3-8PS	3	8	T10	Pan	Steel	Nickel plated	PF • PFE • PFF (M3 size)	20
MR3-14S★	3	14	T10	Flat	Steel	Nickel plated	TW • TWN (M3 size) TWF (M3 size)	20
MR3-14B★	3	14	T10	Flat	Steel	Black trivalent chromate	MX • MXA • MXB • MXF (M3 size)	20
MR-1S	3	5	T10	Flat	Steel	Nickel plated	UC	20
MR-1B	3	5	T10	Flat	Steel	Black trivalent chromate		20

AFS•AFM series

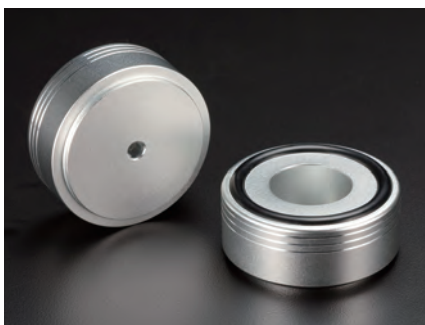
ALUMINIUM ISOLATION FEET



- The surface treatment and finish allows the feet to exhibit a polished and luxurious feel.
- Non-slip NBR O-ring is present on the underside of the feet.
- Suitable for use in audio devices.

Available in both internal and external screw installation type.

External type / Shot blast finish (AFS series)



The external type is secured via screws from the underside / base of the feet to the enclosure. A thread hole is required for direct securing, while a circular hole is required for lock nut securing.

The shot blast finish provides a high quality surface finish look, and pairing well with various types of enclosure surfaces.

Available in both silver and black.

Internal type / Reflective finish (AFM series)



The internal type is secured via screws from the inside of the enclosure. A circular hole is required for securing into the pre-made threads in the top-side of the feet.

The reflective surface finish adds a high quality touch to the unit, allow it to have a luxurious look.

Available only in Silver.

Accessories (Optional parts)

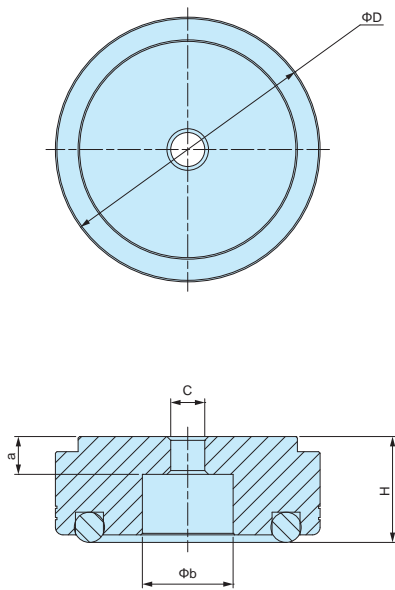
Product no. / Dimensions

Product no.		D	H	Installation type	C	a	b	Pack of
● Silver	● Black							
AFS20- 8S	AFS20- 8B	20	8	External	Φ3.4	3	9	4
AFS25-10S	AFS25-10B	25	10	External	Φ4.5	4	12	4
AFS30-12S	AFS30-12B	30	12	External	Φ4.5	5	12	4
AFS35-14S	AFS35-14B	35	14	External	Φ4.5	5	12	4
AFS39-16S	AFS39-16B	39	16	External	Φ4.5	5	15	4
AFS44-18S	AFS44-18B	44	18	External	Φ4.5	5	20	4
AFS55-20S	AFS55-20B	55	20	External	Φ5.5	5	20	4
AFM15- 7S	-	15	7	Internal	M3	4	-	4
AFM20- 9S	-	20	9	Internal	M3	5	-	4
AFM25-12S	-	25	12	Internal	M4	7	-	4
AFM30-14S	-	30	14	Internal	M4	8	-	4
AFM35-16S	-	35	16	Internal	M4	10	-	4
AFM39-18S	-	39	18	Internal	M4	10	-	4
AFM44-20S	-	44	20	Internal	M4	10	-	4
AFM55-22S	-	55	22	Internal	M5	15	-	4

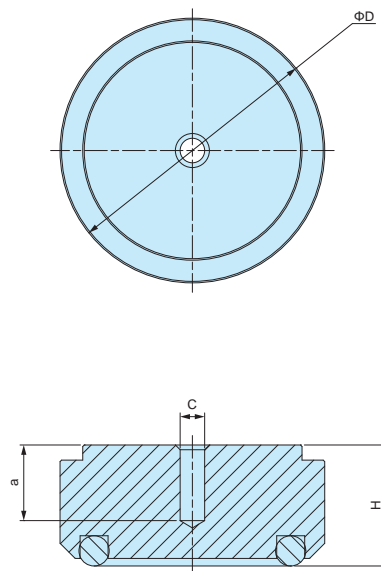
AFS • AFM dimensions

■ DXF/DWG/PDF/STP drawings available on our website.

AFS SERIES



AFM SERIES



APPLICATION EXAMPLE

