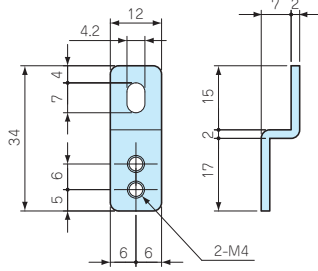


CK SERIES

STAINLESS STEEL MOUNTING BRACKET

CK-34Z

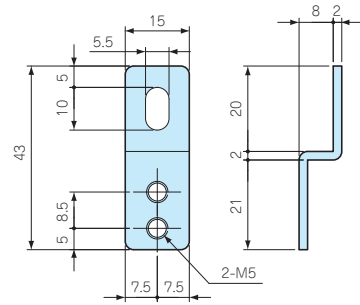


Product no.

Product no.	Material	Finish	Pack of
CK-34Z	SUS304	Barrel finish	4

■ Screws not included. Use MT screw set.

CK-35Z



Product no.

Product no.	Material	Finish	Pack of
CK-35Z	SUS304	Barrel finish	4

■ Screws not included. Use MT screw set.

MT SERIES

MOUNTING SCREW SET



Product no. / Dimensions

Product no.	Screw size	Pack of
MT4-14	M4-14 Pan head	4
MT5-14	M5-14 Pan head	4

- Material /Finish : Stainless steel / Unfinished
- Screw set for attaching CK mounting bracket onto BDN series.

MOUNTING BRACKET / SCREW SET MATCHING CHART

Box Product no.	CK Product no.	MT Product no.
BDN 6- 8-5	CK-34Z	MT4-14
BDN 7-10-4	CK-34Z	MT4-14
BDN 9- 9-6	CK-34Z	MT4-14
BDN 9-13-5	CK-34Z	MT4-14
BDN10-14-7	CK-34Z	MT4-14
BDN11-16-6	CK-34Z	MT4-14
BDN12-22-8	CK-35Z	MT5-14
BDN16-26-9	CK-35Z	MT5-14