



**TAKACHI ELECTRONICS ENCLOSURE CO., LTD.**

3-21-16 Higashi-ryoke, Kawaguchi-shi, Saitama, 332-0003 JAPAN

Tel. +81-48-222-5409 / Fax. +81-48-222-7652

January 30, 2023

Updated on June 30, 2023

## NOTICE

### Material, Color, and Color Code Change

Affected series and changes:

- **Material Change :** MY series  
 Holder : PC + ABS → ABS  
 Grip + Blind Cap : PP + Elastomer → Elastomer
- **Color Change :** MS, MO, MSN, MON, MSY, MOY, MSR, MOR, MN, MY, MSM series
- **Color Code Change :** MS, MO, MSN, MON, MSY, MOY, MSR, MOR series

Click below illustrations to check **Current (Old)** and **New** colors on your browser.

**Current (Old) Color Code :** [G](#)

**New Color Code :** [GS](#)

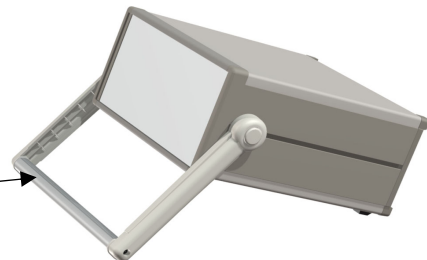
**MS · MO series**



**MN · MO series**



**MSN · MON series**

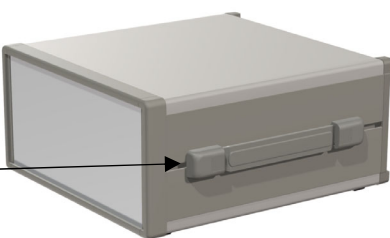


**MSN · MON series**



MN series  
Tip-Up Handle

**MSY · MOY series**



**MSY · MOY series**



MY series  
Carrying Handle

**MSR · MOR series**



**MSR · MOR series**



MSM series  
Rack Mount Bracket

- **Functionality:** No changes to functionality, size / dimensions, or finish.
- **Purpose:** To ensure consistent quality throughout via streamlined supply chain and materials.
- **Period:** 2023 July → [2023 September \(Updated on June 30, 2023\)](#)
- **No changes to pricing.**

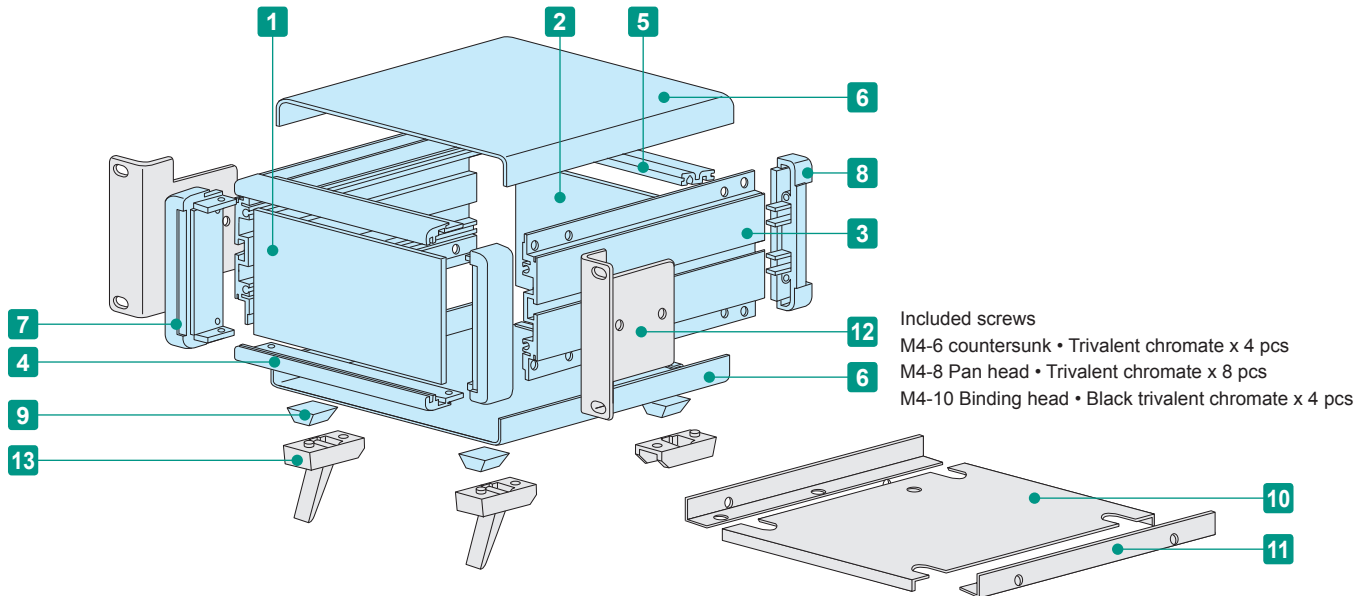
Thank you for your understanding.

For more information, kindly contact us at: [sales@takachi-el.co.jp](mailto:sales@takachi-el.co.jp)



- Available in 3 different colors and 176 different sizes.
- Lightweight aluminium system case.
- Suitable for use as measuring instruments, testing equipment, power supply controller, etc.

Assembly drawings

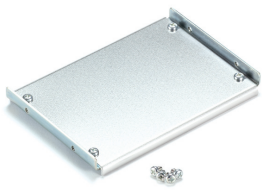


Components

| No. | Part name          | Pcs    | Material                     | Color / Finish                               |
|-----|--------------------|--------|------------------------------|--|
| 1   | Front panel        | 1      | Aluminium A1050P t=2.0       | Silver • Black / Hairline brushed & Anodized |
| 2   | Rear panel         | 1      | Aluminium A1050P t=2.0       | Silver • Black / Anodized                    |
| 3   | Side frame         | 2      | Extruded aluminium A6063S-T5 | Gray • Black / Painted                       |
| 4   | Front frame        | 2      | Extruded aluminium A6063S-T5 | Gray • Black / Painted                       |
| 5   | Rear frame         | 2      | Extruded aluminium A6063S-T5 | Silver / Anodized                            |
| 6   | Top • bottom cover | 1 each | Aluminium A1100P t=1.0       | Light gray • Black / Painted                 |
| 7   | Corner block       | 2      | Diecast aluminium ADC12      | Gray • Black / Painted                       |
| 8   | Rear feet          | 2      | ABS UL94V-0                  | Gray • Black                                 |
| 9   | Rubber feet        | 4      | Polyurethane                 | Black  |

■ Note: Front / rear panels and top / bottom covers are covered with a protective film on one side. Remove before assembly.

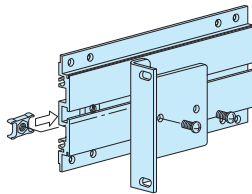
Accessories (Optional parts)



10 Mounting plate MSC series  
See page MSC • MSCL-1



11 L-bracket MSCL series  
See page MSC • MSCL-1



12 Rack mounting MSM series  
See MSM • MZ-1



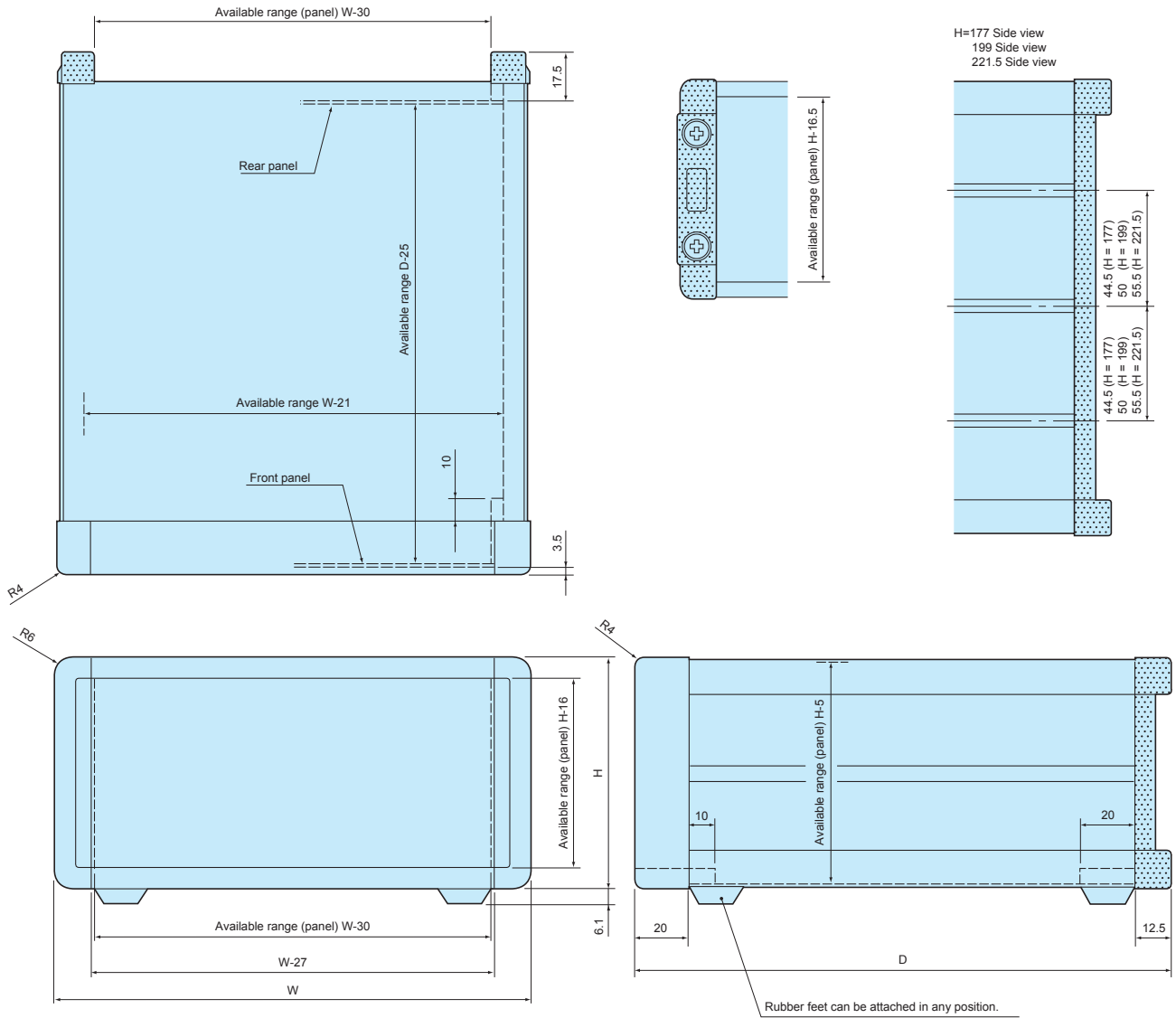
13 Tilt let TL series  
See page TL • CBF-1



Cable hook CBF series  
See page TL • CBF-1

MO dimensions

■ Drawings below are reference examples only.  
DXF/DWG/PDF drawings available on our website.



Color Type

■ Please suffix color code at the end of the product number.



|                    |            |
|--------------------|------------|
| Panel              | Silver     |
| Top • Bottom cover | Light Gray |
| Side frame         | Gray       |

|                    |       |
|--------------------|-------|
| Panel              | Black |
| Top • Bottom cover | Black |
| Side frame         | Black |

|                    |        |
|--------------------|--------|
| Panel              | Silver |
| Top • Bottom cover | Black  |
| Side frame         | Black  |

**Product no. / Dimensions**

| Product no.   | H  | W   | D   | Weight (kg) |
|---------------|----|-----|-----|-------------|
| MO 66-16-16 □ | 66 | 160 | 160 | 0.8         |
| MO 66-16-23 □ | 66 | 160 | 230 | 1.0         |
| MO 66-16-28 □ | 66 | 160 | 280 | 1.1         |
| MO 66-21-16 □ | 66 | 210 | 160 | 0.9         |
| MO 66-21-23 □ | 66 | 210 | 230 | 1.1         |
| MO 66-21-28 □ | 66 | 210 | 280 | 1.3         |
| MO 66-21-35 □ | 66 | 210 | 350 | 1.5         |
| MO 66-26-23 □ | 66 | 260 | 230 | 1.3         |
| MO 66-26-28 □ | 66 | 260 | 280 | 1.5         |
| MO 66-26-35 □ | 66 | 260 | 350 | 1.7         |
| MO 66-32-23 □ | 66 | 320 | 230 | 1.5         |
| MO 66-32-28 □ | 66 | 320 | 280 | 1.7         |
| MO 66-32-35 □ | 66 | 320 | 350 | 2.0         |
| MO 66-32-45 □ | 66 | 320 | 450 | 2.4         |
| MO 66-37-23 □ | 66 | 370 | 230 | 1.6         |
| MO 66-37-28 □ | 66 | 370 | 280 | 1.9         |
| MO 66-37-35 □ | 66 | 370 | 350 | 2.2         |
| MO 66-37-45 □ | 66 | 370 | 450 | 2.6         |
| MO 66-43-23 □ | 66 | 430 | 230 | 1.8         |
| MO 66-43-28 □ | 66 | 430 | 280 | 2.1         |
| MO 66-43-35 □ | 66 | 430 | 350 | 2.4         |
| MO 66-43-45 □ | 66 | 430 | 450 | 2.9         |
| MO 88-16-16 □ | 88 | 160 | 160 | 0.9         |
| MO 88-16-23 □ | 88 | 160 | 230 | 1.1         |
| MO 88-16-28 □ | 88 | 160 | 280 | 1.3         |
| MO 88-21-16 □ | 88 | 210 | 160 | 1.0         |
| MO 88-21-23 □ | 88 | 210 | 230 | 1.3         |
| MO 88-21-28 □ | 88 | 210 | 280 | 1.5         |
| MO 88-21-35 □ | 88 | 210 | 350 | 1.7         |
| MO 88-26-23 □ | 88 | 260 | 230 | 1.5         |
| MO 88-26-28 □ | 88 | 260 | 280 | 1.7         |
| MO 88-26-35 □ | 88 | 260 | 350 | 2.0         |
| MO 88-32-23 □ | 88 | 320 | 230 | 1.7         |
| MO 88-32-28 □ | 88 | 320 | 280 | 1.9         |
| MO 88-32-35 □ | 88 | 320 | 350 | 2.2         |
| MO 88-32-45 □ | 88 | 320 | 450 | 2.7         |
| MO 88-37-23 □ | 88 | 370 | 230 | 1.8         |
| MO 88-37-28 □ | 88 | 370 | 280 | 2.1         |
| MO 88-37-35 □ | 88 | 370 | 350 | 2.4         |
| MO 88-37-45 □ | 88 | 370 | 450 | 2.9         |
| MO 88-43-23 □ | 88 | 430 | 230 | 2.1         |
| MO 88-43-28 □ | 88 | 430 | 280 | 2.3         |
| MO 88-43-35 □ | 88 | 430 | 350 | 2.7         |
| MO 88-43-45 □ | 88 | 430 | 450 | 3.2         |

| Product no.   | H     | W   | D   | Weight (kg) |
|---------------|-------|-----|-----|-------------|
| MO 99-16-16 □ | 99    | 160 | 160 | 0.9         |
| MO 99-16-23 □ | 99    | 160 | 230 | 1.2         |
| MO 99-16-28 □ | 99    | 160 | 280 | 1.3         |
| MO 99-21-16 □ | 99    | 210 | 160 | 1.1         |
| MO 99-21-23 □ | 99    | 210 | 230 | 1.3         |
| MO 99-21-28 □ | 99    | 210 | 280 | 1.5         |
| MO 99-21-35 □ | 99    | 210 | 350 | 1.8         |
| MO 99-26-23 □ | 99    | 260 | 230 | 1.6         |
| MO 99-26-28 □ | 99    | 260 | 280 | 1.7         |
| MO 99-26-35 □ | 99    | 260 | 350 | 2.0         |
| MO 99-32-23 □ | 99    | 320 | 230 | 1.7         |
| MO 99-32-28 □ | 99    | 320 | 280 | 2.0         |
| MO 99-32-35 □ | 99    | 320 | 350 | 2.3         |
| MO 99-32-45 □ | 99    | 320 | 450 | 2.8         |
| MO 99-37-23 □ | 99    | 370 | 230 | 1.9         |
| MO 99-37-28 □ | 99    | 370 | 280 | 2.2         |
| MO 99-37-35 □ | 99    | 370 | 350 | 2.5         |
| MO 99-37-45 □ | 99    | 370 | 450 | 3.0         |
| MO 99-43-23 □ | 99    | 430 | 230 | 2.1         |
| MO 99-43-28 □ | 99    | 430 | 280 | 2.4         |
| MO 99-43-35 □ | 99    | 430 | 350 | 2.8         |
| MO 99-43-45 □ | 99    | 430 | 450 | 3.4         |
| MO133-16-16 □ | 132.5 | 160 | 160 | 1.1         |
| MO133-16-23 □ | 132.5 | 160 | 230 | 1.4         |
| MO133-16-28 □ | 132.5 | 160 | 280 | 1.6         |
| MO133-21-16 □ | 132.5 | 210 | 160 | 1.3         |
| MO133-21-23 □ | 132.5 | 210 | 230 | 1.6         |
| MO133-21-28 □ | 132.5 | 210 | 280 | 1.8         |
| MO133-21-35 □ | 132.5 | 210 | 350 | 2.1         |
| MO133-26-23 □ | 132.5 | 260 | 230 | 1.8         |
| MO133-26-28 □ | 132.5 | 260 | 280 | 2.0         |
| MO133-26-35 □ | 132.5 | 260 | 350 | 2.4         |
| MO133-32-23 □ | 132.5 | 320 | 230 | 2.0         |
| MO133-32-28 □ | 132.5 | 320 | 280 | 2.3         |
| MO133-32-35 □ | 132.5 | 320 | 350 | 2.7         |
| MO133-32-45 □ | 132.5 | 320 | 450 | 3.2         |
| MO133-37-23 □ | 132.5 | 370 | 230 | 2.2         |
| MO133-37-28 □ | 132.5 | 370 | 280 | 2.5         |
| MO133-37-35 □ | 132.5 | 370 | 350 | 2.9         |
| MO133-37-45 □ | 132.5 | 370 | 450 | 3.4         |
| MO133-43-23 □ | 132.5 | 430 | 230 | 2.5         |
| MO133-43-28 □ | 132.5 | 430 | 280 | 2.8         |
| MO133-43-35 □ | 132.5 | 430 | 350 | 3.2         |
| MO133-43-45 □ | 132.5 | 430 | 450 | 3.8         |

**Product no. / Dimensions**

| Product no.   | H   | W   | D   | Weight (kg) |
|---------------|-----|-----|-----|-------------|
| MO149-16-16 □ | 149 | 160 | 160 | 1.2         |
| MO149-16-23 □ | 149 | 160 | 230 | 1.5         |
| MO149-16-28 □ | 149 | 160 | 280 | 1.7         |
| MO149-21-16 □ | 149 | 210 | 160 | 1.4         |
| MO149-21-23 □ | 149 | 210 | 230 | 1.7         |
| MO149-21-28 □ | 149 | 210 | 280 | 1.9         |
| MO149-21-35 □ | 149 | 210 | 350 | 2.2         |
| MO149-26-23 □ | 149 | 260 | 230 | 1.9         |
| MO149-26-28 □ | 149 | 260 | 280 | 2.2         |
| MO149-26-35 □ | 149 | 260 | 350 | 2.5         |
| MO149-32-23 □ | 149 | 320 | 230 | 2.1         |
| MO149-32-28 □ | 149 | 320 | 280 | 2.4         |
| MO149-32-35 □ | 149 | 320 | 350 | 2.8         |
| MO149-32-45 □ | 149 | 320 | 450 | 3.4         |
| MO149-37-23 □ | 149 | 370 | 230 | 2.4         |
| MO149-37-28 □ | 149 | 370 | 280 | 2.6         |
| MO149-37-35 □ | 149 | 370 | 350 | 3.0         |
| MO149-37-45 □ | 149 | 370 | 450 | 3.6         |
| MO149-43-23 □ | 149 | 430 | 230 | 2.6         |
| MO149-43-28 □ | 149 | 430 | 280 | 2.9         |
| MO149-43-35 □ | 149 | 430 | 350 | 3.3         |
| MO149-43-45 □ | 149 | 430 | 450 | 4.0         |
| MO177-16-16 □ | 177 | 160 | 160 | 1.5         |
| MO177-16-23 □ | 177 | 160 | 230 | 1.9         |
| MO177-16-28 □ | 177 | 160 | 280 | 2.1         |
| MO177-21-16 □ | 177 | 210 | 160 | 1.7         |
| MO177-21-23 □ | 177 | 210 | 230 | 2.1         |
| MO177-21-28 □ | 177 | 210 | 280 | 2.4         |
| MO177-21-35 □ | 177 | 210 | 350 | 2.8         |
| MO177-26-23 □ | 177 | 260 | 230 | 2.3         |
| MO177-26-28 □ | 177 | 260 | 280 | 2.6         |
| MO177-26-35 □ | 177 | 260 | 350 | 3.1         |
| MO177-32-23 □ | 177 | 320 | 230 | 2.6         |
| MO177-32-28 □ | 177 | 320 | 280 | 2.9         |
| MO177-32-35 □ | 177 | 320 | 350 | 3.4         |
| MO177-32-45 □ | 177 | 320 | 450 | 4.1         |
| MO177-37-23 □ | 177 | 370 | 230 | 2.8         |
| MO177-37-28 □ | 177 | 370 | 280 | 3.2         |
| MO177-37-35 □ | 177 | 370 | 350 | 3.7         |
| MO177-37-45 □ | 177 | 370 | 450 | 4.3         |
| MO177-43-23 □ | 177 | 430 | 230 | 3.1         |
| MO177-43-28 □ | 177 | 430 | 280 | 3.5         |
| MO177-43-35 □ | 177 | 430 | 350 | 4.0         |
| MO177-43-45 □ | 177 | 430 | 450 | 4.8         |

| Product no.   | H     | W   | D   | Weight (kg) |
|---------------|-------|-----|-----|-------------|
| MO199-16-16 □ | 199   | 160 | 160 | 1.6         |
| MO199-16-23 □ | 199   | 160 | 230 | 2.0         |
| MO199-16-28 □ | 199   | 160 | 280 | 2.3         |
| MO199-21-16 □ | 199   | 210 | 160 | 1.8         |
| MO199-21-23 □ | 199   | 210 | 230 | 2.2         |
| MO199-21-28 □ | 199   | 210 | 280 | 2.5         |
| MO199-21-35 □ | 199   | 210 | 350 | 2.9         |
| MO199-26-23 □ | 199   | 260 | 230 | 2.5         |
| MO199-26-28 □ | 199   | 260 | 280 | 2.8         |
| MO199-26-35 □ | 199   | 260 | 350 | 3.2         |
| MO199-32-23 □ | 199   | 320 | 230 | 2.7         |
| MO199-32-28 □ | 199   | 320 | 280 | 3.1         |
| MO199-32-35 □ | 199   | 320 | 350 | 3.6         |
| MO199-32-45 □ | 199   | 320 | 450 | 4.2         |
| MO199-37-23 □ | 199   | 370 | 230 | 3.0         |
| MO199-37-28 □ | 199   | 370 | 280 | 3.3         |
| MO199-37-35 □ | 199   | 370 | 350 | 3.8         |
| MO199-37-45 □ | 199   | 370 | 450 | 4.5         |
| MO199-43-23 □ | 199   | 430 | 230 | 3.3         |
| MO199-43-28 □ | 199   | 430 | 280 | 3.6         |
| MO199-43-35 □ | 199   | 430 | 350 | 4.2         |
| MO199-43-45 □ | 199   | 430 | 450 | 4.9         |
| MO222-16-16 □ | 221.5 | 160 | 160 | 1.7         |
| MO222-16-23 □ | 221.5 | 160 | 230 | 2.1         |
| MO222-16-28 □ | 221.5 | 160 | 280 | 2.4         |
| MO222-21-16 □ | 221.5 | 210 | 160 | 1.9         |
| MO222-21-23 □ | 221.5 | 210 | 230 | 2.4         |
| MO222-21-28 □ | 221.5 | 210 | 280 | 2.6         |
| MO222-21-35 □ | 221.5 | 210 | 350 | 3.1         |
| MO222-26-23 □ | 221.5 | 260 | 230 | 2.6         |
| MO222-26-28 □ | 221.5 | 260 | 280 | 2.9         |
| MO222-26-35 □ | 221.5 | 260 | 350 | 3.4         |
| MO222-32-23 □ | 221.5 | 320 | 230 | 2.9         |
| MO222-32-28 □ | 221.5 | 320 | 280 | 3.2         |
| MO222-32-35 □ | 221.5 | 320 | 350 | 3.8         |
| MO222-32-45 □ | 221.5 | 320 | 450 | 4.5         |
| MO222-37-23 □ | 221.5 | 370 | 230 | 3.2         |
| MO222-37-28 □ | 221.5 | 370 | 280 | 3.5         |
| MO222-37-35 □ | 221.5 | 370 | 350 | 4.1         |
| MO222-37-45 □ | 221.5 | 370 | 450 | 4.8         |
| MO222-43-23 □ | 221.5 | 430 | 230 | 3.5         |
| MO222-43-28 □ | 221.5 | 430 | 280 | 3.8         |
| MO222-43-35 □ | 221.5 | 430 | 350 | 4.4         |
| MO222-43-45 □ | 221.5 | 430 | 450 | 5.3         |

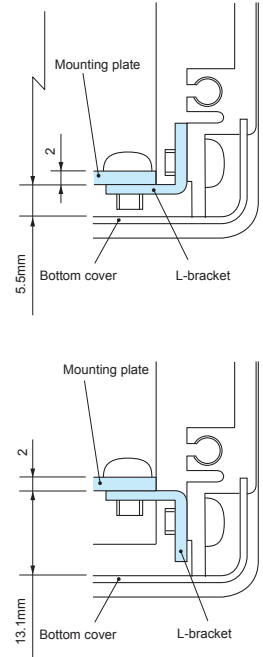
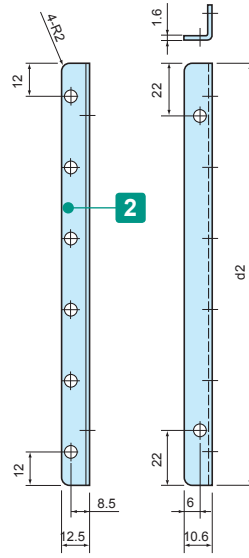
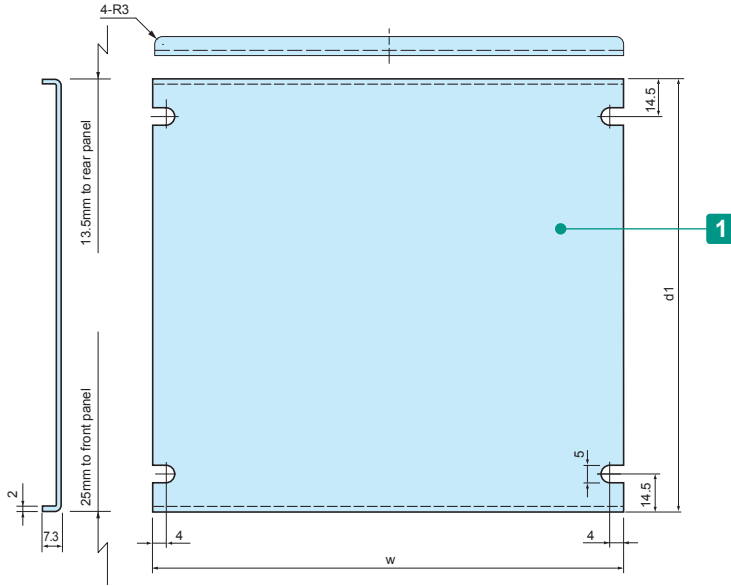
MSC SERIES

MOUNTING PLATE for MS • MSN • MSY • MSR • MO • MON • MOY • MOR

DXF/DWG/PDF drawings available on our website.

1 set = Mounting plate + L-bracket

Mounting example



Components

| No. | Part name      | Pcs | Material               | Color / Finish     |
|-----|----------------|-----|------------------------|--------------------|
| 1   | Mounting plate | 1   | Aluminium A1050P t=2.0 | Unfinished         |
| 2   | L-bracket      | 2   | Steel SPCC             | Trivalent chromate |

Included screws: M4-6 pan head, trivalent chromate x8

Product no. / Dimensions

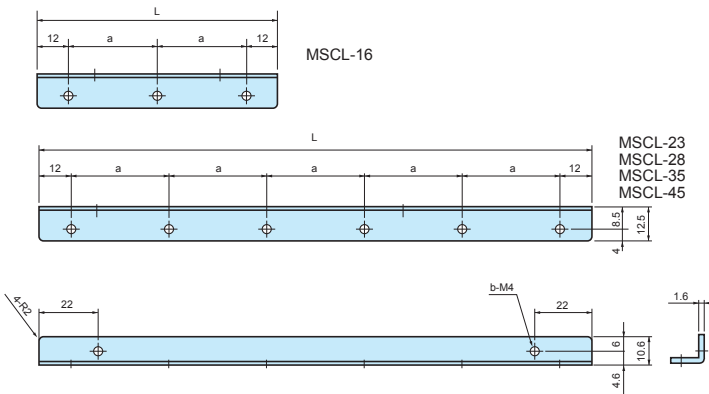
| Product no. | w   | d1    | d2    | Enclosure WxD | Weight (g) |
|-------------|-----|-------|-------|---------------|------------|
| MSC16-16    | 130 | 96.5  | 91.5  | 160 × 160     | 120        |
| MSC16-23    | 130 | 166.5 | 161.5 | 160 × 230     | 210        |
| MSC16-28    | 130 | 216.5 | 211.5 | 160 × 280     | 270        |
| MSC21-16    | 180 | 96.5  | 91.5  | 210 × 160     | 150        |
| MSC21-23    | 180 | 166.5 | 161.5 | 210 × 230     | 250        |
| MSC21-28    | 180 | 216.5 | 211.5 | 210 × 280     | 330        |
| MSC21-35    | 180 | 286.5 | 281.5 | 210 × 350     | 430        |
| MSC26-23    | 230 | 166.5 | 161.5 | 260 × 230     | 300        |
| MSC26-28    | 230 | 216.5 | 211.5 | 260 × 280     | 390        |
| MSC26-35    | 230 | 286.5 | 281.5 | 260 × 350     | 510        |
| MSC32-23    | 290 | 166.5 | 161.5 | 320 × 230     | 360        |

| Product no. | w   | d1    | d2    | Enclosure WxD | Weight (g) |
|-------------|-----|-------|-------|---------------|------------|
| MSC32-28    | 290 | 216.5 | 211.5 | 320 × 280     | 460        |
| MSC32-35    | 290 | 286.5 | 281.5 | 320 × 350     | 600        |
| MSC32-45    | 290 | 386.5 | 381.5 | 320 × 450     | 810        |
| MSC37-23    | 340 | 166.5 | 161.5 | 370 × 230     | 410        |
| MSC37-28    | 340 | 216.5 | 211.5 | 370 × 280     | 520        |
| MSC37-35    | 340 | 286.5 | 281.5 | 370 × 350     | 680        |
| MSC37-45    | 340 | 386.5 | 381.5 | 370 × 450     | 910        |
| MSC43-23    | 400 | 166.5 | 161.5 | 430 × 230     | 460        |
| MSC43-28    | 400 | 216.5 | 211.5 | 430 × 280     | 590        |
| MSC43-35    | 400 | 286.5 | 281.5 | 430 × 350     | 770        |
| MSC43-45    | 400 | 386.5 | 381.5 | 430 × 450     | 1,040      |

MSCL SERIES

L-BRACKET for MS • MSN • MSY • MSR • MO • MON • MOY • MOR

- Use with your original mounting plate or PCB.
- 1 pair of L-bracket are included with each MSC mounting plate.



Components

| Part name | Material   | Color / Finish     |
|-----------|------------|--------------------|
| L-bracket | Steel SPCC | Trivalent chromate |

Product no. / Dimensions

| Product no. | L     | a     | b | Sales unit    |
|-------------|-------|-------|---|---------------|
| MSCL-16     | 91.5  | 33.75 | 5 | 1 set (2 pcs) |
| MSCL-23     | 161.5 | 27.5  | 8 | 1 set (2 pcs) |
| MSCL-28     | 211.5 | 37.5  | 8 | 1 set (2 pcs) |
| MSCL-35     | 281.5 | 51.5  | 8 | 1 set (2 pcs) |
| MSCL-45     | 381.5 | 71.5  | 8 | 1 set (2 pcs) |

**MSM SERIES**

**RACK MOUNT BRACKET**

**Components**

| Material                     | Color / Finish         |
|------------------------------|------------------------|
| Extruded aluminium A6063S-T5 | Gray • Black / Painted |

Included screws : M5-10 Flat head x 4 pcs / Black trivalent chromate + Nut x 4 pcs

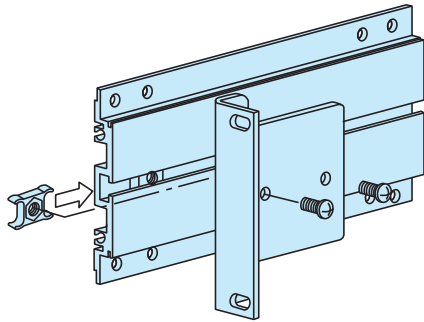
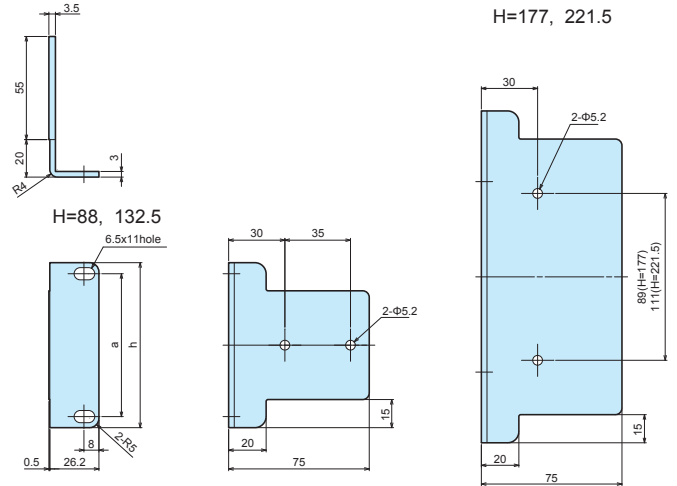
**Color Type**

| Color code | Material                     | Color / Finish  |
|------------|------------------------------|-----------------|
| G          | Extruded aluminium A6063S-T5 | Gray / Painted  |
| B          | Extruded aluminium A6063S-T5 | Black / Painted |

**Product no. / Dimensions**

| Product no. | h (Enclosure H) | a     | Pack of |
|-------------|-----------------|-------|---------|
| MSM- 88□    | 88              | 76.2  | 2       |
| MSM-133□    | 132.5           | 57.1  | 2       |
| MSM-177□    | 177             | 101.6 | 2       |
| MSM-222□    | 221.5           | 146   | 2       |

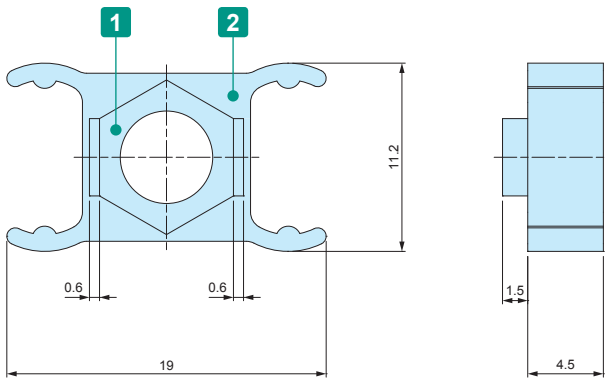
■ Please suffix color code at the end of the product number.



**MZ SERIES**

**SIDE FRAME NUT**

■ Side frame nut for MS • MSN • MSY • MSR • MO • MON • MOY • MOR series.



**Components**

| No. | Part name | Material      | Color / Finish |
|-----|-----------|---------------|----------------|
| 1   | Nut       | Brass • Steel | Nickel plated  |
| 2   | Holder    | Polyethylene  | Black          |

**Product no. / Feature**

| Product no. | Screw size | Nut material | Pack of |
|-------------|------------|--------------|---------|
| MZ-4        | M4         | Brass        | 10      |
| MZ-5        | M5         | Steel        | 10      |

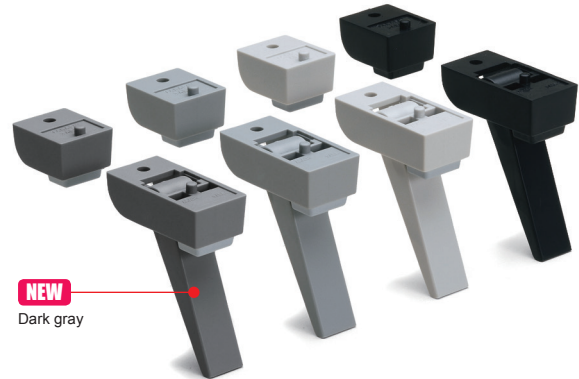
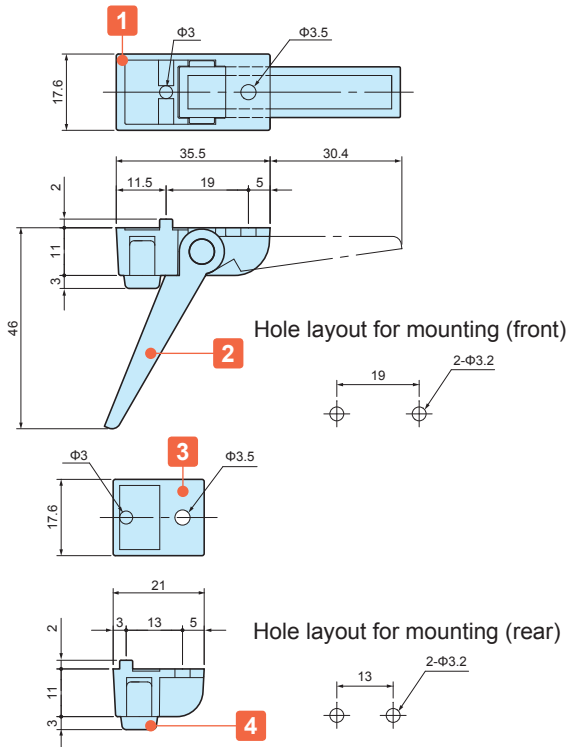




# TL series TILT LEG

## TL dimensions

■ DXF/DWG/PDF drawings available on our website.



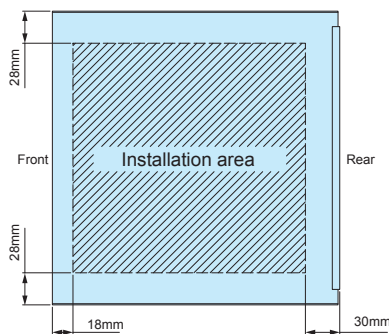
## Components

\* Maximum load = 7 kg

| No. | Part name   | Pcs | Material   | Color / Finish                        |
|-----|-------------|-----|------------|---------------------------------------|
| 1   | Front feet  | 2   | ABS UL94HB | Black • Gray • Light gray • Dark gray |
| 2   | Leg         | 2   | ABS UL94HB | Black • Gray • Light gray • Dark gray |
| 3   | Rear feet   | 2   | ABS UL94HB | Black • Gray • Light gray • Dark gray |
| 4   | Rubber feet | 4   | EPDM       | Gray • Black                          |
| -   | Screw       | 4   | Steel      | Black trivalent chromate              |

■ Included screws: M3-8 and M3 nut (with washer) set.

## MS SERIES INSTALLATION AREA



## Product no. / Dimensions

| Product no.   | Color (body) | Color (rubber feet) | Sales unit |
|---------------|--------------|---------------------|------------|
| ● TL-45BB     | Black        | Black               | 1 set      |
| ● TL-45GG     | Gray         | Gray                | 1 set      |
| ● TL-45SG     | Light gray   | Gray                | 1 set      |
| NEW ● TL-45DG | Dark gray    | Gray                | 1 set      |

- EPDM (black) may have its color migrate onto the placement surface.
- TL-45GG (Gray) shall be discontinued once current inventory has been depleted.

# CBF-1G CABLE HOOK



- Used for wrapping and securing cords and wires.
- Can be used with a variety of different enclosure series and models.
- Requires a panel thickness of between 1.0 ~ 3.0mm.

## Product no. / Dimensions

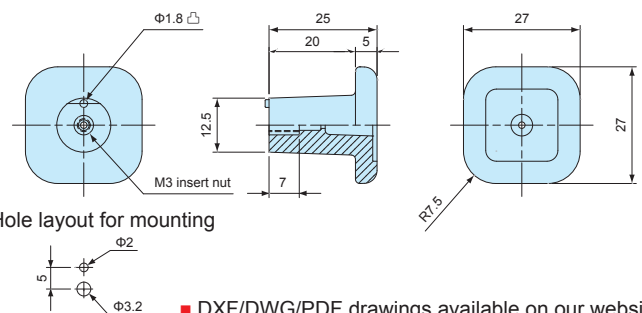
| Product no. | Material   | Color | Pack of |
|-------------|------------|-------|---------|
| CBF-1G      | ABS UL94HB | Gray  | 4       |

■ Included screws: M3-8 trivalent chromate (with washer) x 4 pcs



APPLICATION EXAMPLE

## CBF dimensions



■ DXF/DWG/PDF drawings available on our website.