



TAKACHI ELECTRONICS ENCLOSURE CO., LTD.

3-21-16 Higashi-ryoke, Kawaguchi-shi, Saitama, 332-0003 JAPAN

Tel. +81-48-222-5409 / Fax. +81-48-222-7652

January 30, 2023

Updated on June 30, 2023

NOTICE

Material, Color, and Color Code Change

Affected series and changes:

- **Material Change :** MY series
Holder : PC + ABS → ABS
Grip + Blind Cap : PP + Elastomer → Elastomer
- **Color Change :** MS, MO, MSN, MON, MSY, MOY, MSR, MOR, MN, MY, MSM series
- **Color Code Change :** MS, MO, MSN, MON, MSY, MOY, MSR, MOR series

Click below illustrations to check **Current (Old)** and **New** colors on your browser.

Current (Old) Color Code : [G](#)

New Color Code : [GS](#)

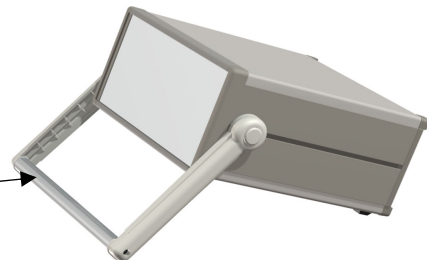
MS · MO series



MN · MO series



MSN · MON series

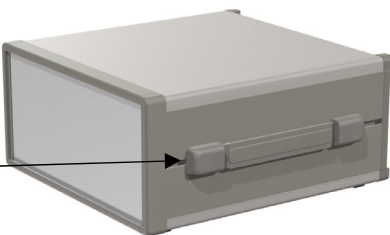


MN series
Tip-Up Handle

MSN · MON series



MSY · MOY series



MY series
Carrying Handle

MSY · MOY series



MSR · MOR series



MSM series
Rack Mount Bracket

MSR · MOR series



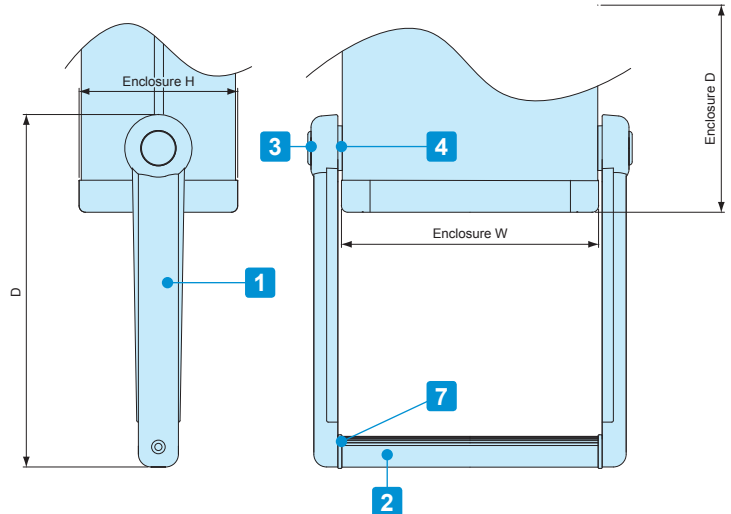
- **Functionality:** No changes to functionality, size / dimensions, or finish.
- **Purpose:** To ensure consistent quality throughout via streamlined supply chain and materials.
- **Period:** 2023 July → [2023 September \(Updated on June 30, 2023\)](#)
- No changes to pricing.

Thank you for your understanding.

For more information, kindly contact us at: sales@takachi-el.co.jp

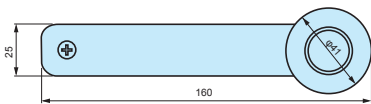
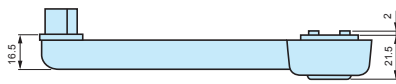
MN series

TIP-UP HANDLE for MS • MO

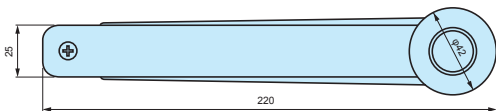


Bracket Details

MN□-16

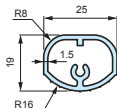
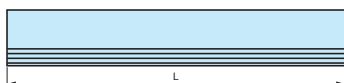


MN□-22



■ DXF/DWG/PDF drawings available on our website.

Grip Details



Components

No.	Part name	Pcs	Material	Color / Finish
1	Bracket	2	ABS UL94HB	Light gray • Black
2	Grip	1	Extruded aluminium A6063S-T5	Silver anodized • Black anodized
3	Blind cap	2	Polyethylene	Light gray • Black
4	Stator	2	Diecast aluminium ADC12	Light gray • Black
—	Rotor	2	ABS UL94HB	Light gray • Black
—	Spring	2	Stainless steel	Unfinished
7	Spacer	2	Polyethylene	Light gray • Black
—	Self-tapping screw (M4-20)	2	Steel	Black trivalent chromate
—	Screw (M5-16 pan head with spring washer)	2	Steel	Trivalent chromate
—	Slide nut	2	Steel • Polyethylene	Nickel plated • Black

■ Caution : Blind cap cannot be re-attached once affixed.

Product no. / Dimensions

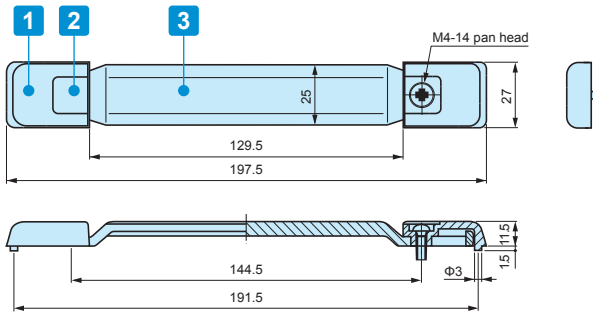
Product no.		Dimensions	
● Light gray / Silver	● Black	L	D
MN16-16G	MN16-16B	160	160
MN16-22G	MN16-22B	160	220
MN21-16G	MN21-16B	210	160
MN21-22G	MN21-22B	210	220
MN26-16G	MN26-16B	260	160
MN26-22G	MN26-22B	260	220
MN32-16G	MN32-16B	320	160
MN32-22G	MN32-22B	320	220
MN37-16G	MN37-16B	370	160
MN37-22G	MN37-22B	370	220
MN43-16G	MN43-16B	430	160
MN43-22G	MN43-22B	430	220

Handle matching chart

Product no.	Enclosure W	Enclosure H	Enclosure D	Product no.	Enclosure W	Enclosure H	Enclosure D
MN16-16□	160	66,88,99	160,230	MN16-22□	160	66,88,99	280
		133,149,177	160			133,149,177,199,222	230,280
MN21-16□	210	66,88,99	160,230	MN21-22□	210	66,88,99	280,350
		133,149,177	160			133,149,177,199,222	230 ~ 350
MN26-16□	260	66,88,99	230	MN26-22□	260	66,88,99	280,350
						133,149,177,199,222	230 ~ 350
MN32-16□	320	66,88,99	230	MN32-22□	320	66,88,99	280 ~ 450
						133,149,177,199,222	230 ~ 450
MN37-16□	370	66,88,99	230	MN37-22□	370	66,88,99	280 ~ 450
						133,149,177,199,222	230 ~ 450
MN43-16□	430	66,88,99	230	MN43-22□	430	66,88,99	280 ~ 450
						133,149,177,199,222	230 ~ 450

MY series

CARRYING HANDLE for MS • MO



■ DXF/DWG/PDF drawings available on our website.

Components

No.	Part name	Pcs	Material	Color / Finish
1	Holder	2	ABS	Gray • Black
2	Blind cap	2	Elastomer	Gray • Black
3	Grip	1	Elastomer	Gray • Black
4	Screw (M4-14 pan head)	2	Steel	Trivalent chromate
—	Slide nut	2	Brass • Polyethylene	Nickel plated • Black

Product no. / Dimensions

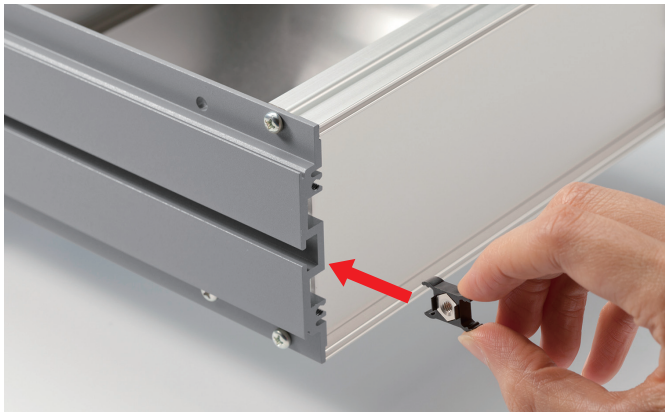
Product no.		Tensile Strength
● Gray	● Black	
MY-197G	MY-197B	20kgf

■ Not applicable for use on 160mm "D" dimension enclosures.

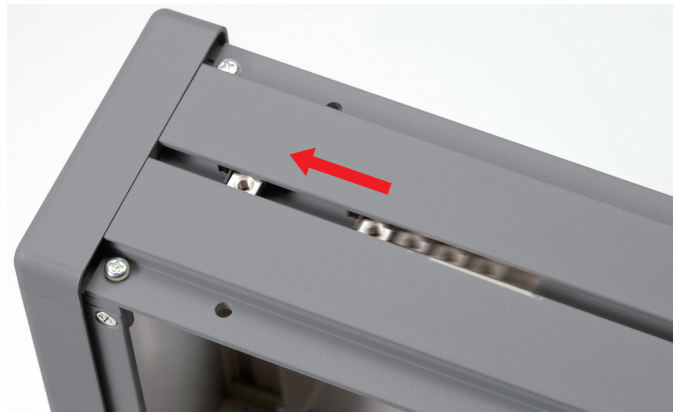
■ If chemicals, cutting oil, etc. adhere to or come into contact with areas where tensile stress is generated, there is a possibility that cracks may occur due to the synergistic effect of the chemicals and stress. Be careful of the usage environment and the handling of the product.

How to install MN • MY handles

Insert the nut into the groove on the side frame.



Slide the nut into position.



MN handle installation



MY handle installation

