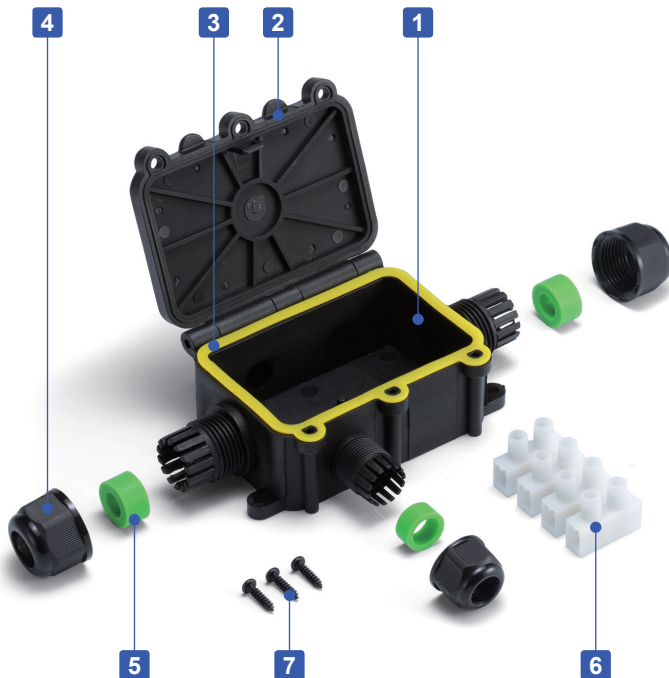


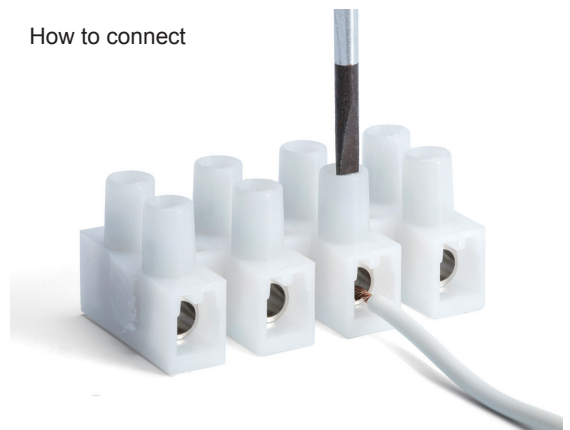


- Hinged structure allows easy access for maintenance or replacement of components.
- 2, 3 and 4 way types are available.
- A screw type wiring connection is adopted; allowing for easy installation and removal.
- 4P pole models and no terminal models are available.

Technical Data
Protection class : Equivalent to IP68 (24-hours / 1m-depth)
Operating temperature : -25°C ~ +60°C
Recommended cover tightening torque : 0.5 ~ 0.6N · m



How to connect



*Make sure to insert the cable below the screw and tighten firmly.

Components

■ PA66 = Polyamide 66
■ PA6 = Polyamide 6

No.	Part name	Pcs	Material	Color / Finish
1	Body	1	PA66	Black
2	Hinged cover	1	PA66	Black
3	Gasket	1	Silicone	Yellow
4	Lock nut	2 ~ 4	PA6	Black
5	Sealing insert	2 ~ 4	Silicone	Green
6	Terminal block	1	PA6 / Brass	Nickel plated
7	Self-tapping screw	3	Stainless steel	Black / plated

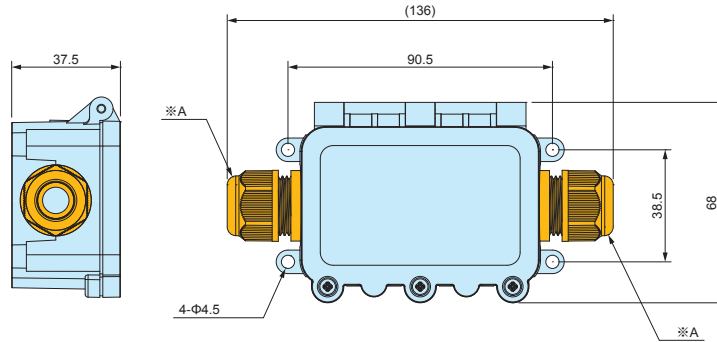
Product no. / Details

Product no.	W	D	H	Number of Poles	Branches	Cable range	
JW-2W-N	136	68	37.5	None	2	M20 : $\Phi 5 \sim \Phi 9$	
JW-2W-4P	136	68	37.5	4P	2	M20 : $\Phi 5 \sim \Phi 9$	
JW-3W-N	136	81	37.5	None	3	M20 : $\Phi 5 \sim \Phi 9$	M16 : $\Phi 7 \sim \Phi 10$
JW-3W-4P	136	81	37.5	4P	3	M20 : $\Phi 5 \sim \Phi 9$	M16 : $\Phi 7 \sim \Phi 10$
JW-4W-N	136	97	37.5	None	4	M20 : $\Phi 5 \sim \Phi 9$	M16 : $\Phi 7 \sim \Phi 10$
JW-4W-4P	136	97	37.5	4P	4	M20 : $\Phi 5 \sim \Phi 9$	M16 : $\Phi 7 \sim \Phi 10$

JW dimensions

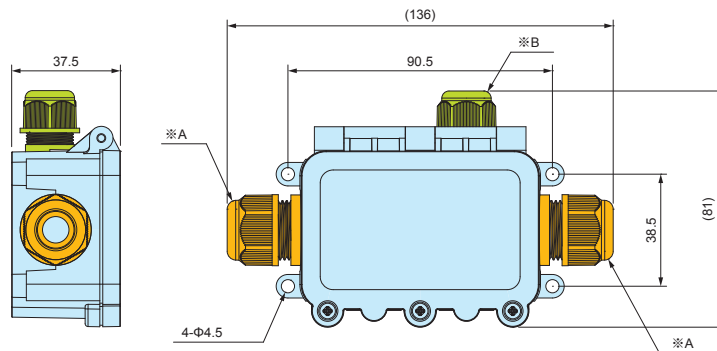
■ DXF/DWG/PDF drawings available on our website.

JW-2W-N • JW-2W-4P



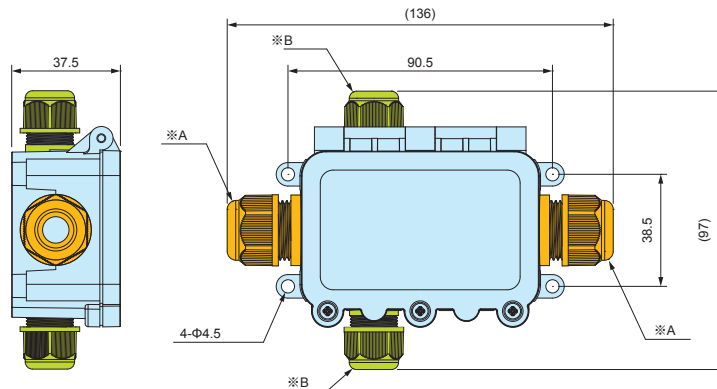
*A : M20 Cable gland

JW-3W-N • JW-3W-4P



*A : M20 Cable gland
*B : M16 Cable gland

JW-4W-N • JW-4W-4P



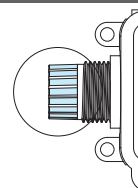
*A : M20 Cable gland
*B : M16 Cable gland

Accessories (Optional parts)

SEALING INSERT for JW



- Recommended to be used to change to a compatible wire diameter.
- Do not bend the blue part (shown in the figure) outwards with excessive force or it may cause damage when replacing sealing insert.
- Pay attention to the suitable cable gland and cable range when selecting.

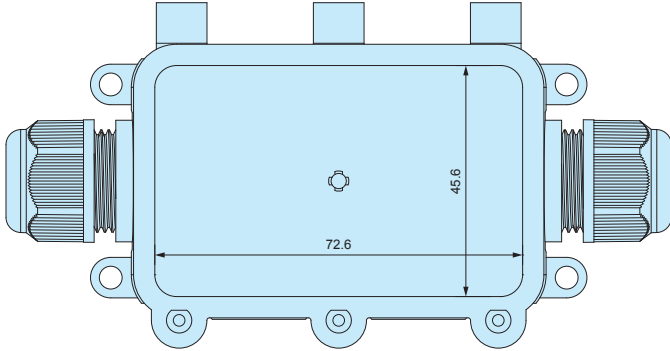


Product no. / Details

Product no.	Appearance	Suitable cable gland	Cable range	Material	Pack of
RBM20-12 (Dedicated for M20)		M20	$\Phi 9 \sim \Phi 12$	Silicone	10
RBM16-7 (Dedicated for M16)		M16	$\Phi 3.5 \sim \Phi 7$	Silicone	10

Terminal Block Diagram

JW-2W-N (No terminal model)



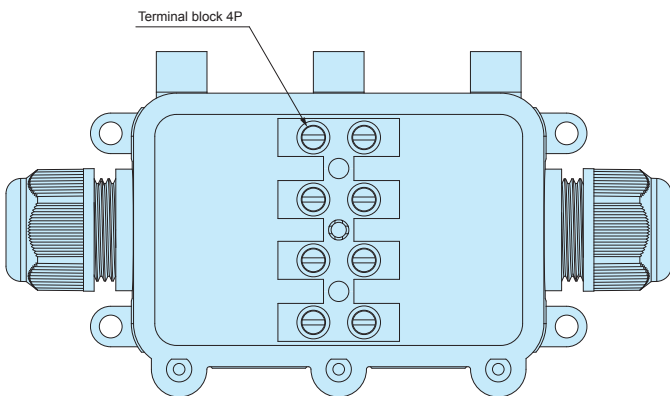
- No terminal model.
- Use for protecting the connected part.
- Protrusion on the center.

Installation example

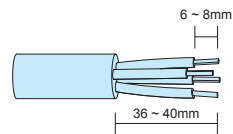


- Use when utilizing other terminals or connecting without terminal.

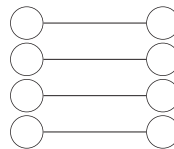
JW-2W-4P



- Wire connection dimensions below are for reference only; check under actual usage conditions.



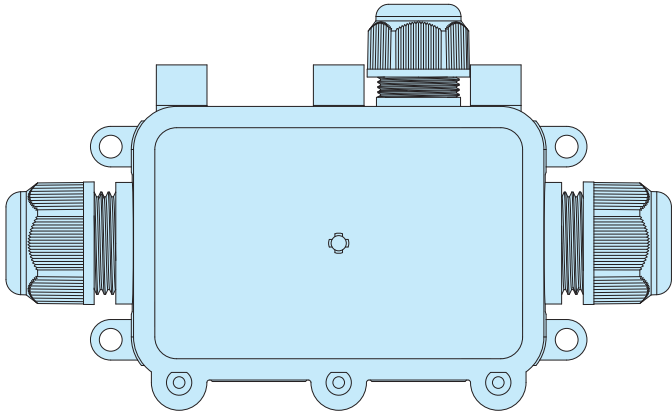
Wire Connection Diagram



4P terminal block

Rated voltage / current	AC450V / 40A
Applicable wire	Max 1.0 ~ 5.5 mm ² (stranded wire)
Terminal screw	M3.5 minus head

JW-3W-N (No terminal model)



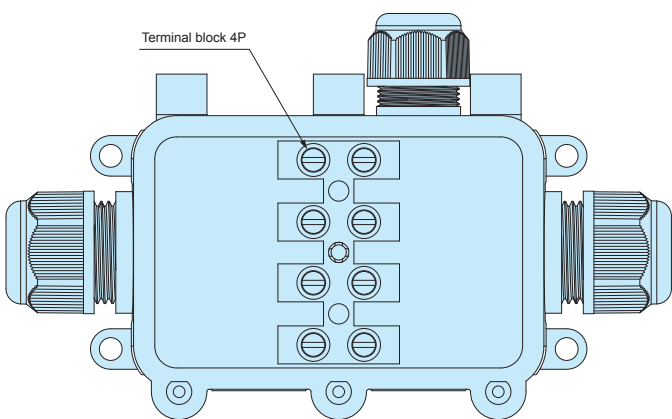
- No terminal model.
- Use for protecting the connected part.
- Protrusion on the center.

JW-2W-N (No terminal model)

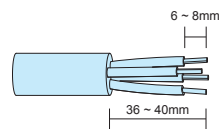


- Use when utilizing other terminals or connecting without terminal.

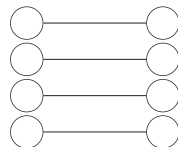
JW-3W-4P



- Wire connection dimensions below are for reference only; check under actual usage conditions.



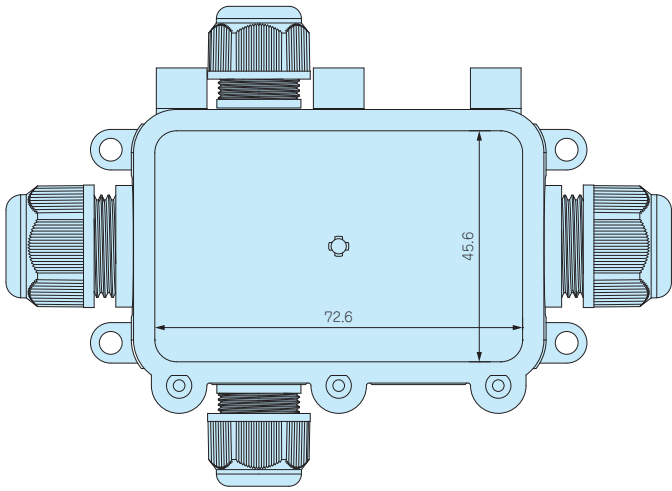
Wire Connection Diagram



4P terminal block

Rated voltage / current	AC450V / 40A
Applicable wire	Max 1.0 ~ 5.5 mm ² (stranded wire)
Terminal screw	M3.5 minus head

JW-4W-N (No terminal model)



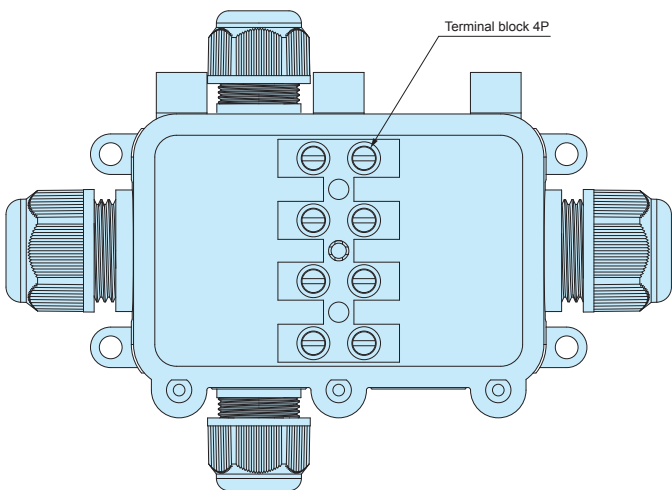
- No terminal model.
- Use for protecting the connected part.
- Protrusion on the center.

Installation example

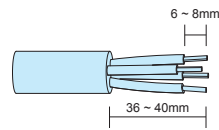


- Use when utilizing other terminals or connecting without terminal.

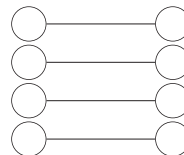
JW-4W-4P



- Wire connection dimensions below are for reference only; check under actual usage conditions.



Wire Connection Diagram



4P terminal block

Rated voltage / current	AC450V / 40A
Applicable wire	Max 1.0 ~ 5.5 mm ² (stranded wire)
Terminal screw	M3.5 minus head