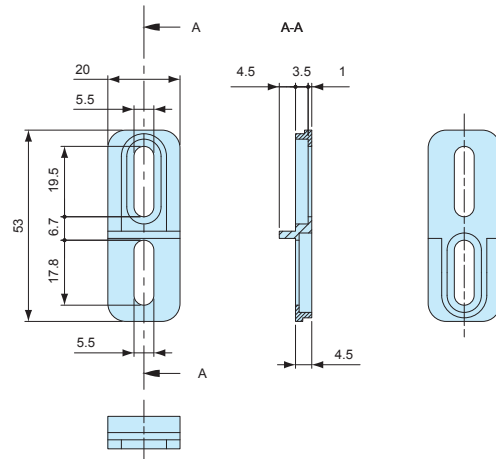


**HQF** SERIES

**MOUNTING BRACKET for HQ**

■ DXF/DWG/PDF drawings available on our website.



**Components**

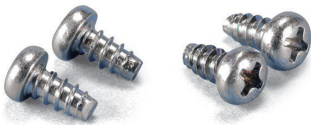
Part name	Pcs	Material	Color / Finish
Mounting bracket	4	Diecast aluminium ADC12	Powder coated • Unfinished
Screw	4	Stainless steel	Unfinished

**Product no. / Feature**

Product no.	Color / Finish	Suitable box	Pack of
HQF-1G	Light gray / Powder coated	HQ all models	4
HQF-1N	Unfinished	HQ all models	4

**MT** SERIES

**MOUNTING SCREW for HQ**



**Product no. / Feature**

Product no.	Material	Color / Finish	Pack of
MT3.5-8K	Steel	Trivalent chromate	4