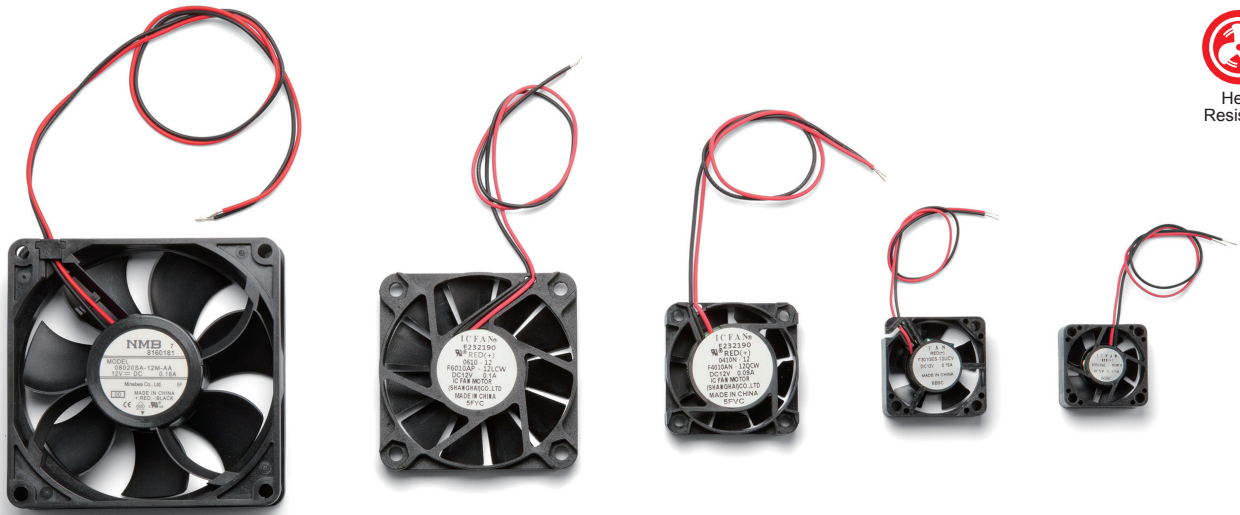


HF SERIES

COOLING FAN

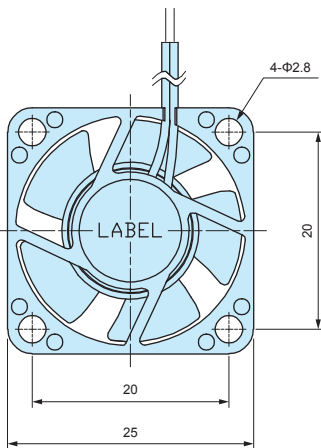


Heat Resistant



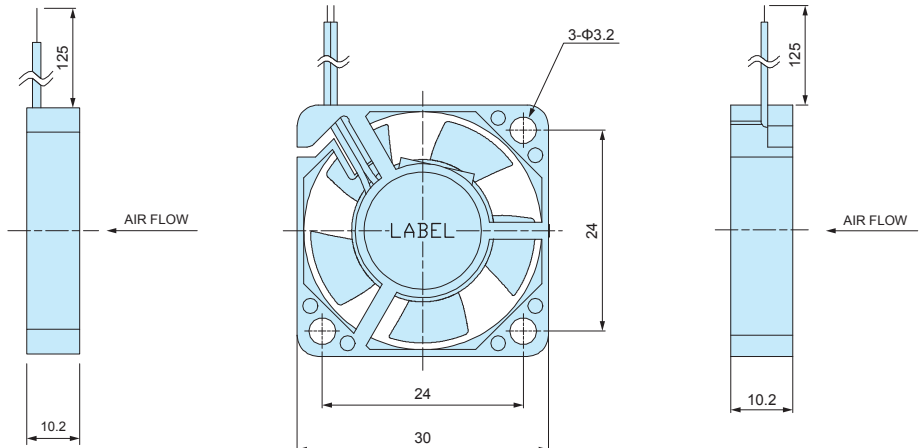
HF2510AL-05

Lead wire UL3302HF AWG28



HF0312ES-12

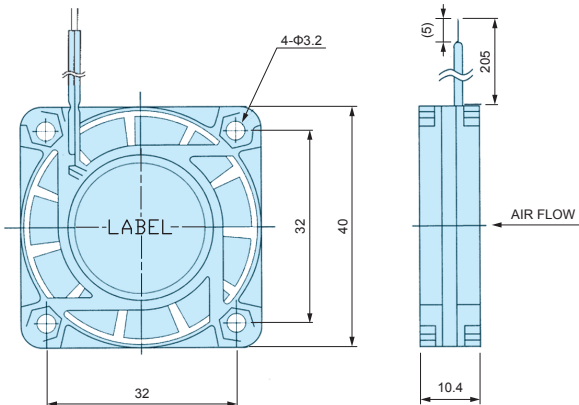
Lead wire UL1685LF AWG28



~~**HF0410N-12**~~

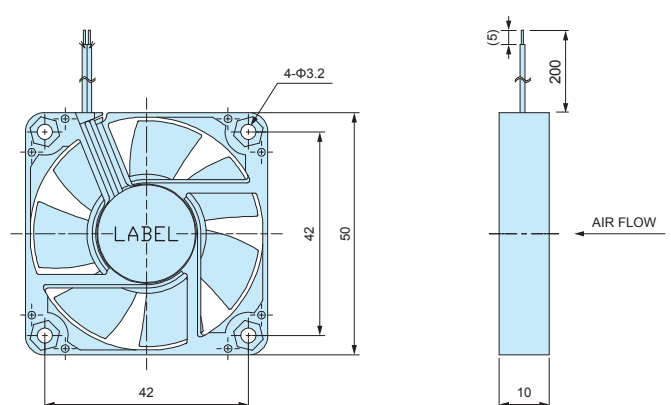
Cross out products are discontinued.

Lead wire UL1007 AWG26



HF0510ET-12

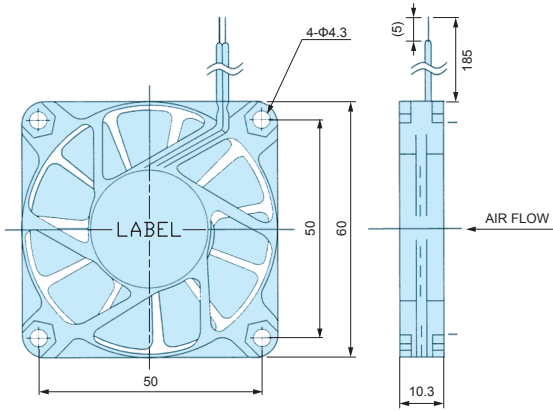
Lead wire UL1685LF AWG28



~~HF0610-12~~

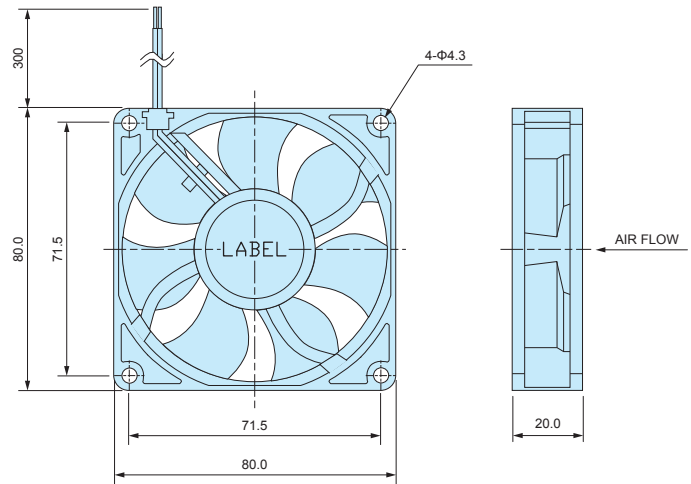
Cross out products are discontinued.

Lead wire UL1007 AWG26



HF0820SA-12

Lead wire UL3385 AWG26



Product no. / Dimensions

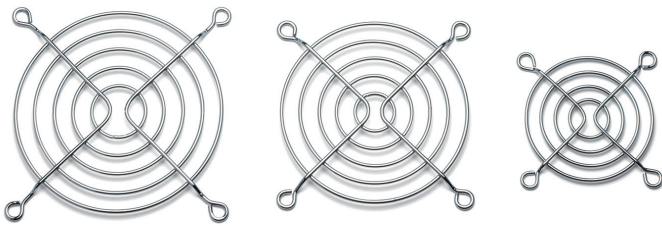
Product no.	Outer dimensions (mm)	Rated voltage (V)	Voltage range (V)	Rated current (A)	Rated input (W)	Max airflow (m3/min)	Max static pressure (pa)	Rotation speed (min-1)	Operating temperature	Life expectancy (H)
HF2510AL-05	25.0 x 25.0 x 10.2	DC 5	4.5 ~ 5.5	0.15	0.75	0.048	18	8,000	-10 ~ +100°C	50,000
HF0312ES-12	30.0 x 30.0 x 10.2	DC12	10.2 ~ 13.8	0.15	1.8	0.1	36	7,500	-10 ~ +100°C	50,000
HF0410N-12	40.0 x 40.0 x 10.4	DC12	10.2 ~ 13.8	0.09	1.08	0.12	31.4	5,100	5 ~ +60°C	50,000
HF0510ET-12	50.0 x 50.0 x 10.0	DC12	10.2 ~ 13.8	0.25	3	0.33	33	5,600	-10 ~ +100°C	50,000
HF0610-12	60.0 x 60.0 x 10.3	DC12	10.2 ~ 13.8	0.1	1.2	0.33	16.7	3,300	5 ~ +60°C	50,000
HF0820SA-12	80.0 x 80.0 x 20.0	DC12	6.0 ~ 13.2	0.13	1.56	1.13	52.8	3,700	-10 ~ +70°C	40,000

Life expectancy is measured under normal operational conditions.

Cross out products are discontinued.

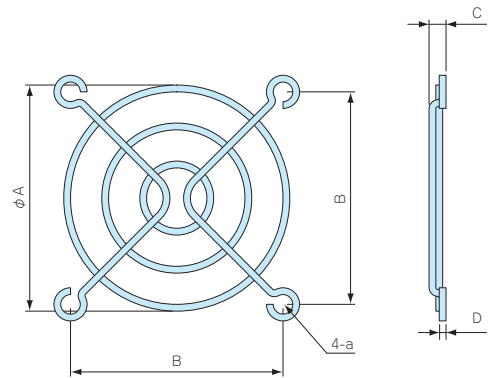
HF-G SERIES

FINGER GUARD



Cross out products are discontinued.

Material : Steel wire



Product no. / Dimensions

Shape vary by model.

Product no.	A	B	C	D	a	Finish
HF-G 30	26	24	3	1.6	M3	Chrome plated
HF-G 40	28.5	32	5	1.6	M3 and M4	Nickel plated
HF-G 50	41	40	5	1.6	M3 and M4	Nickel plated
HF-G 60	53	50	4.5	1.6	M4	Nickel plated
HF-G 80	76	71.5	5	1.8	M4	Nickel plated
HF-G 90	90	82.5	5	1.8	M4	Nickel plated
HF-G120	115.5	104.8	6	1.8	M4	Nickel plated

NOTICE

HF-G30 FINGER GUARD

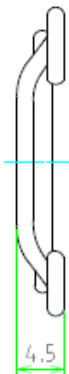
Changes to Shape, Dimension and Manufacturing Location

- Affected series / models

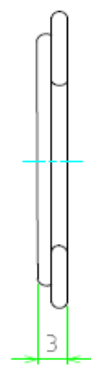
HF-G30

- Change : Mounting hole shape

Current Shape



New Shape



Current : Made in Japan

New : Made in China

- Functionality: No changes to functionality, color, finish, installation or material.
- Purpose: To ensure consistent quality throughout via streamlined supply chain and materials.
- Period: Once current inventory has been depleted.
- Series / Model: No changes to Series, Product number, or pricing.

Thank you for your understanding.

For more information, kindly contact us at: sales@takachi-el.co.jp