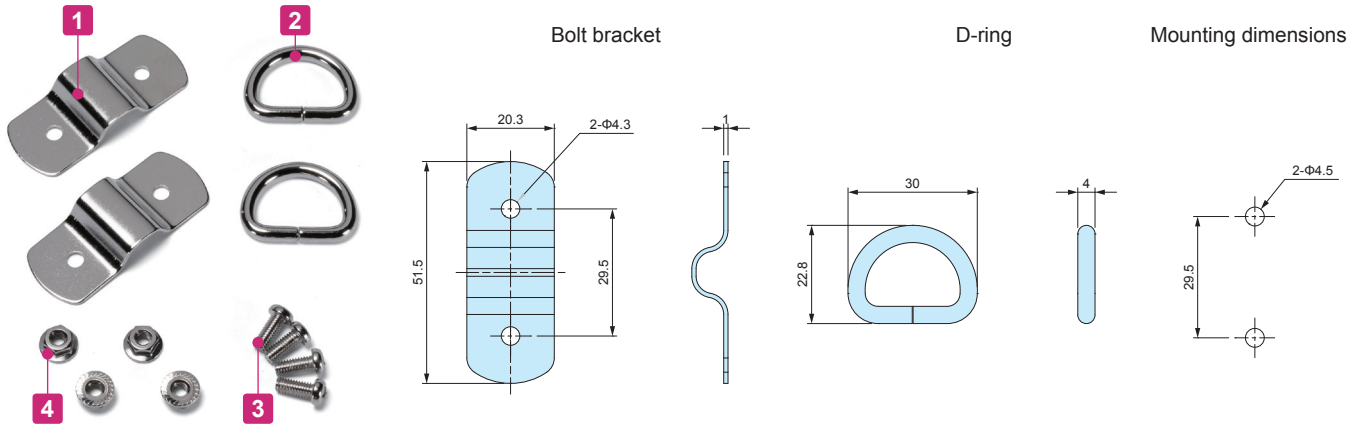




# GF-30

# BOLT-ON D-RING



**Components**

No.	Part name	Pcs	Material	Finish
1	Bolt bracket	2	Steel	Nickel plated
2	D-ring	2	Steel	Nickel plated
3	Screw (Pan head M4 -10)	4	Steel	Nickel plated
4	Serrated flange nut M4	4	Steel	Nickel plated

\*Screws may penetrate and protrude out from the underside of the installed part.  
 \*Serrated flange nut may cause scratches on the surface.

**Product no. / Details**

Product no.	Weight (g)
GF-30	41.1

Technical Data
Max load: 10kg

\*Static load value.  
 For reference use only.

# NSTP810

# SHOULDER STRAP

■ Nylon shoulder strap with polyurethane pads to reduce fatigue when slung over the shoulder.

**Application example**

Recommended to be used with GF-30 Bolt-on D-ring for MAXI series.



**Components**

No.	Part name	Material
1	Belt	Nylon
2	Pad	Neoprene • Polyurethane
3	Hook	Steel (Black painted)

**Product no. / Details**

Product no.	Weight (g)	Pack of
NSTP810	238	1

**GF-30 Mounting example**

