

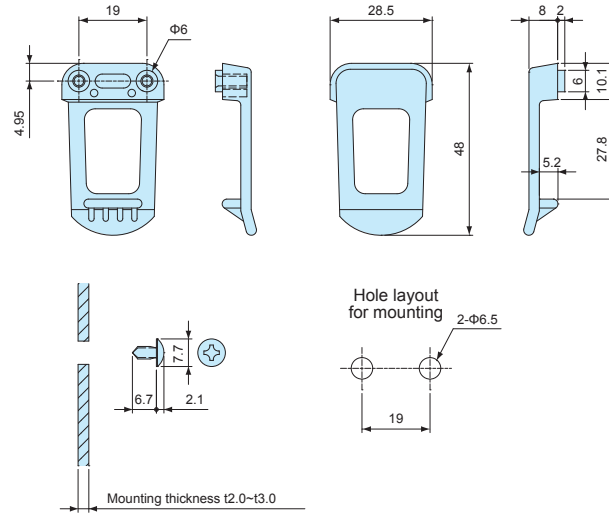
GDH series

PLASTIC BELT CLIP



GDH dimensions

■ DXF/DWG/PDF drawings available on our website.



Components

No.	Part name	Pcs	Material	Color / Finish
1	Clip	1	ABS UL94HB	White • Black
2	Screw	2	Steel M3.5-6	Zinc plated

Product no. / Dimensions

Product no.		W	H	D
● White	● Black			
GDH-1W	GDH-1B	28.5	10	48

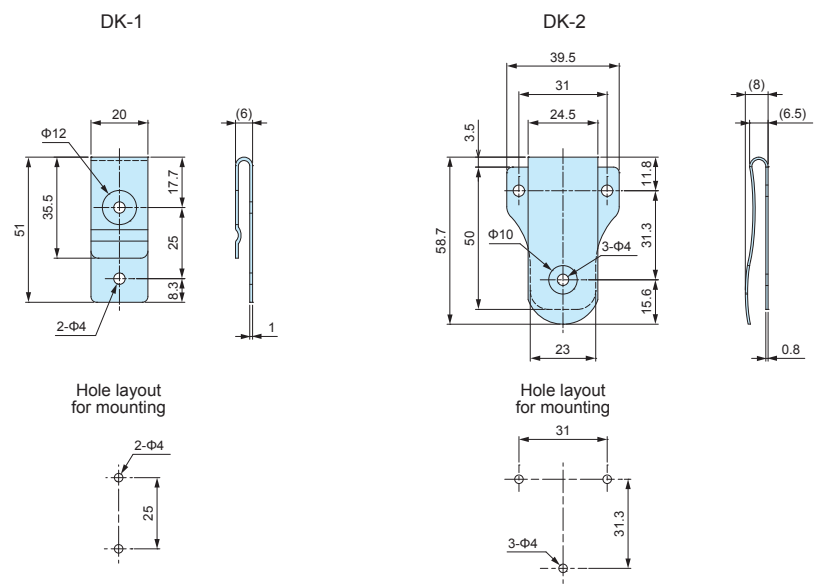
DK series

STEEL BELT CLIP



DK dimensions

■ DXF/DWG/PDF drawings available on our website.



Product no. / Dimensions

Product no.	Material	Finish
DK-1	Steel SPCC t=1.0	Chrome plated
DK-2	Steel SPCC t=0.8	Chrome plated