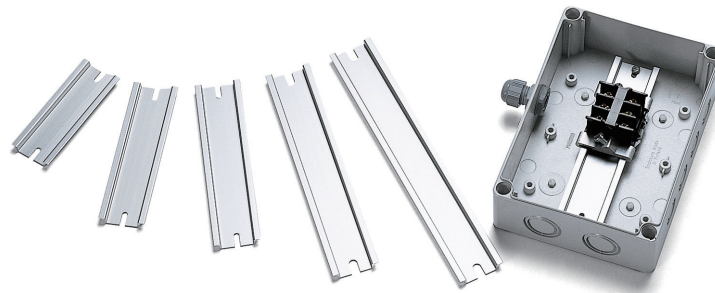


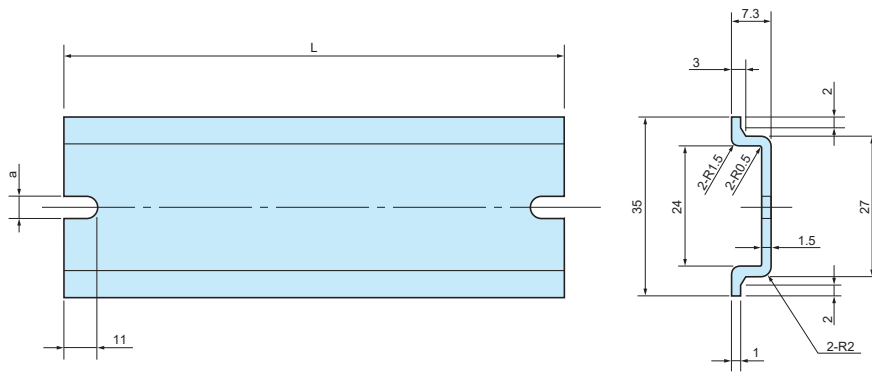
FDR series

DIN RAIL



Application example

- DIN Rail for installation of terminals, relays, or switches inside enclosures.
- Suitable for DIN Rail types of various manufacturers.



Product no. / Details

Product no.	L	a	Matching boss pitch	Weight
FDR- 50	50	4.2	32 ~ 42	8.6
FDR- 57	57	4.2	39 ~ 49	9.5
FDR- 66	66	4.2	48 ~ 58	10
FDR- 77	77	4.2	59 ~ 69	12
FDR- 80	80	4.2	62 ~ 72	13
FDR- 87	87	4.2	69 ~ 79	14
FDR- 92	92	4.2	74 ~ 84	15
FDR-100	100	4.2	82 ~ 92	17.8
FDR-106	106	4.2	88 ~ 98	19
FDR-110	110	4.2	92 ~ 102	20
FDR-120	120	4.2	102 ~ 112	21
FDR-128	128	4.2	110 ~ 120	23
FDR-137	137	4.2	119 ~ 129	24
FDR-142	142	4.2	124 ~ 134	25
FDR-146	146	4.2	128 ~ 138	26
FDR-150	150	4.2	132 ~ 142	25.8
FDR-168	168	4.2	150 ~ 160	30
FDR-170	170	4.2	152 ~ 162	30
FDR-186	186	4.2	168 ~ 178	32
FDR-202	202	4.2	184 ~ 194	37
FDR-205	205	4.2	187 ~ 197	36
FDR-223	223	4.2	205 ~ 215	39.3
FDR-226	226	4.2	208 ~ 218	39
FDR-235	235	4.2	217 ~ 227	42
FDR-242	242	4.2	224 ~ 234	43
FDR-249	249	4.2	231 ~ 241	43
FDR-283	283	4.2	265 ~ 275	49
FDR-300	300	4.2	282 ~ 292	52
<b>NEW</b> FDR-314	314	4.2	296 ~ 306	51.5
FDR-350	350	4.2	332 ~ 342	60
FDR-400	400	4.2	382 ~ 392	69
FDR-450	450	4.2	432 ~ 442	78
FDR-550	550	4.2	532 ~ 542	94

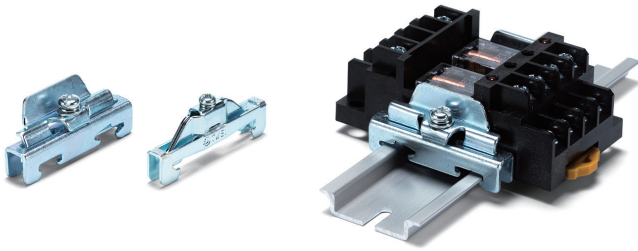
Product no.	L	a	Matching boss pitch	Weight
<b>NEW</b> FDR-B106	106	6.5	90 ~ 96	17.5
FDR-B124	124	6.5	108 ~ 114	21.4
FDR-B142	142	6.5	126 ~ 132	24
FDR-B160	160	6.5	144 ~ 150	28
FDR-B165	165	6.5	149 ~ 155	28
FDR-B176	176	6.5	160 ~ 166	30
FDR-B183	183	6.5	167 ~ 173	30
FDR-B196	196	6.5	180 ~ 186	33
FDR-B223	223	6.5	207 ~ 213	37
FDR-B256	256	6.5	240 ~ 246	43
FDR-B260	260	6.5	244 ~ 250	45
<b>NEW</b> FDR-B276	276	6.5	260 ~ 266	47.5
FDR-B303	303	6.5	287 ~ 293	52
<b>NEW</b> FDR-B327	327	6.5	311 ~ 317	56.2
FDR-B338	338	6.5	322 ~ 328	57
FDR-B360	360	6.5	344 ~ 350	63
FDR-B376	376	6.5	360 ~ 366	64
FDR-B383	383	6.5	367 ~ 373	65
FDR-B463	463	6.5	447 ~ 453	87
FDR-1000	1,000	-	-	169.5

- Material / Finish: A6063S-T5 / Silver anodized
- FDR-1000 does not have mounting holes.

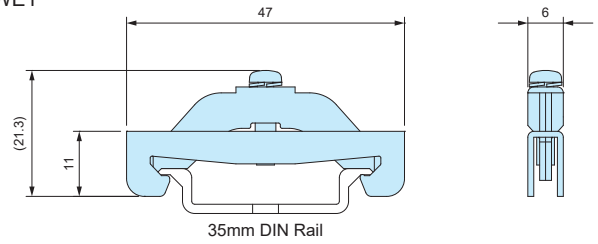
**TKR** series

**DIN RAIL TERMINAL BLOCK END STOPPER**

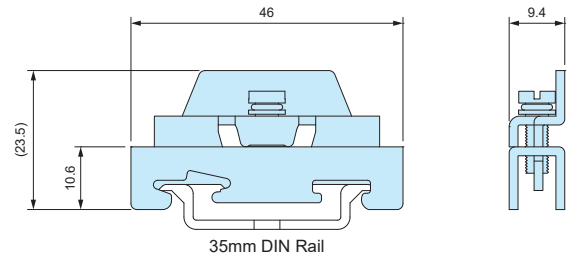
■ DXF/DWG/PDF drawings available on our website.



TKR-TWE1



TKR35-1



- Stopper bracket for use with 35mm DIN Rail to keep an attachment at a fixed location.
- TKR-TWE1 is used with small DIN Rail attachment parts. For larger / higher attachment parts, TKR35-1 is recommended for providing additional support.

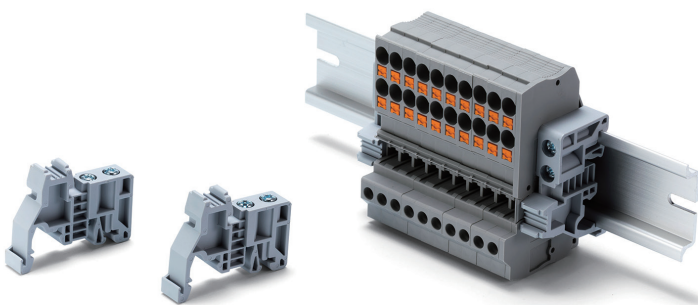
**Product no. / Details**

Product no.	Material	Finish	Pack of
TKR-TWE1	Steel	Trivalent chromate	2
TKR35-1	Steel	Trivalent chromate	2
TKR35-1-P	Steel	Trivalent chromate	50

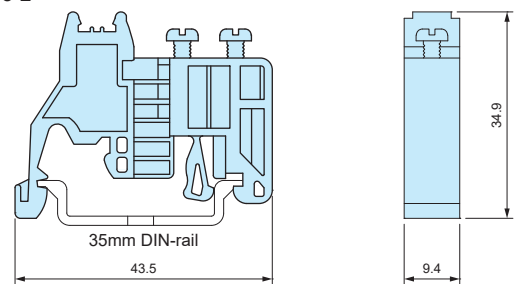
**DRS** series

**ECONOMICAL DIN RAIL END STOPPER**

■ DXF/DWG/PDF drawings available on our website.



DRS35-2



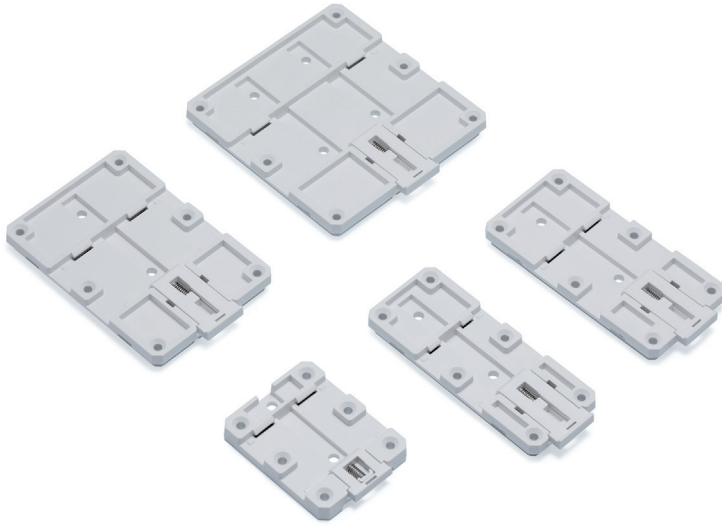
- Economically priced end stopper bracket.
- Included screws allow affixing of stopper brackets firmly at a fixed location.

**Product no. / Details**

Product no.	Material	Color	Pack of
DRS35-2	PA66	Light Gray	2
DRS35-2-P	PA66	Light Gray	50

# DRP series

# DIN RAIL MOUNTING BASE

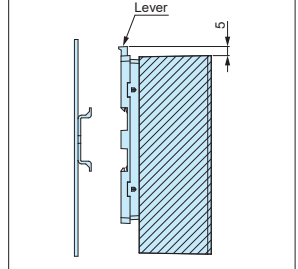


### Installation Example



### NOTE

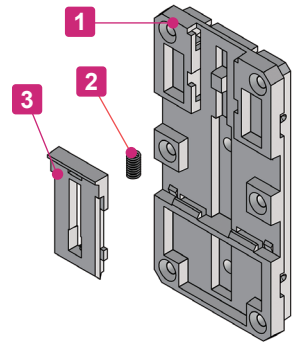
Before installation, please ensure that the lever is not fully hidden behind the enclosure.



### Technical Data

Max load : 5kg

- Mounting base for installation of enclosures, PCB and other parts onto 35mm DIN Rail.
- 4 new sizes added for a total of 5 different sizes available for selection.
- Easy mounting and dismounting from a DIN Rail using the pull lever.
- Replacement product for the discontinued DRA series.



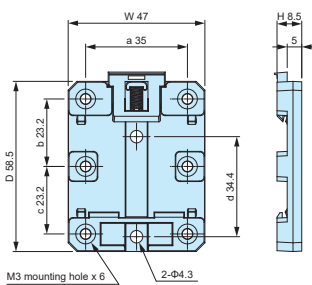
### Components

No.	Part name	Pcs	Materials	Color / Finish
1	Base	1	PC/ABS (UL94V-0)	Off-white
2	Compression spring	1	SUS304	Unfinished
3	Lever	1	PC/ABS (UL94V-0)	Off-white

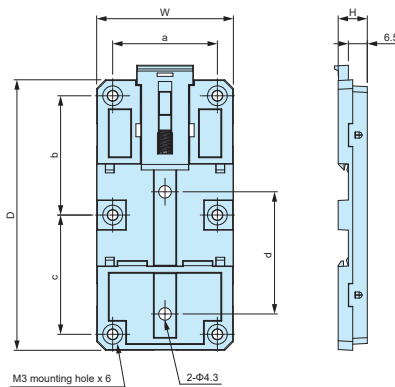
### DRP dimensions

■ DXF/DWG/PDF/STP drawings available on our website.

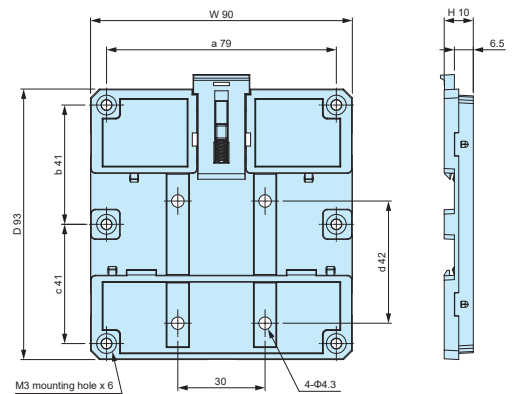
#### DRP5-6W



#### DRP4-9W, DRP5-9W, DRP7-9W



#### DRP9-9W

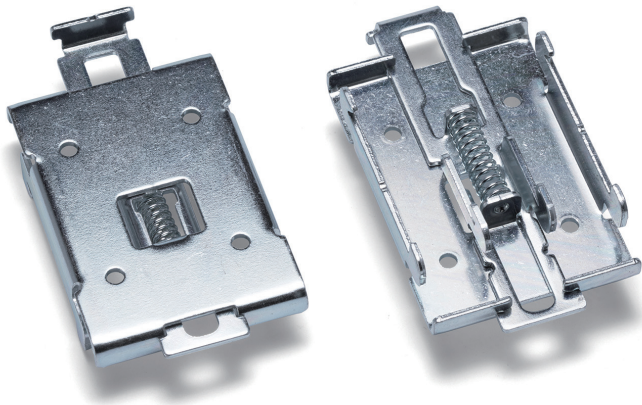


### Product no. / Details

Product no.	Dimensions							Weight (g)	Old product model
	W	H	D	a	b	c	d		
<b>NEW</b> DRP4-9W	38	10	93	27	41	41	41	20.6	DRA-2
<b>NEW</b> DRP5-6W	47	8.5	58.5	35	23.2	23.2	34.4	13.4	DRA-3
DRP5-9W	47	10	93	36	41	41	42	24.6	DRA-1
<b>NEW</b> DRP7-9W	65	10	93	54	41	41	42	31.3	-
<b>NEW</b> DRP9-9W	90	10	93	79	41	41	42	41.6	-

# DRM-1

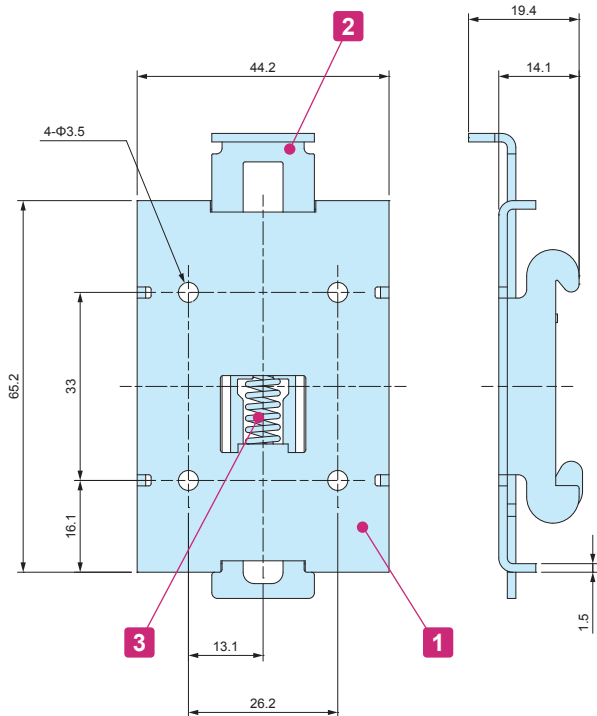
# DIN RAIL MOUNT BRACKET



Installation example

- For installation of enclosures, PCB and other parts onto a DIN Rail.
- Robust metallic material allows rigid mounting on DIN Rails.
- Simple installation and removal via the pull lever.

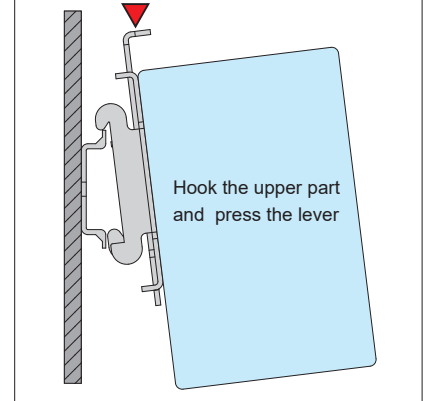
## DRM-1 dimensions



- DXF/DWG/PDF drawings available on our website.

### NOTE

Before installation, please ensure that the lever is not fully hidden behind the enclosure.



### Technical Data

Max load : 10kg

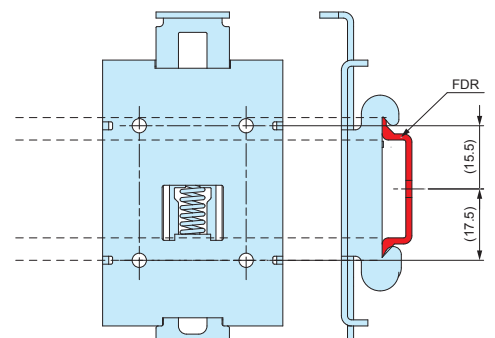
## Components

No.	Part name	Material	Color / Finish
1	Base	Plated steel	Zinc plated
2	Lever	Plated steel	Zinc plated
3	Spring	Steel	Zinc plated

## Product no. / Details

Product no.	Weight (g)
DRM-1	57.5

- Installation example on FDR series DIN Rail.



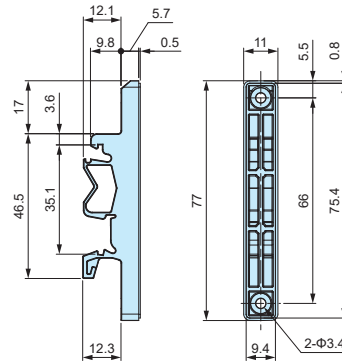
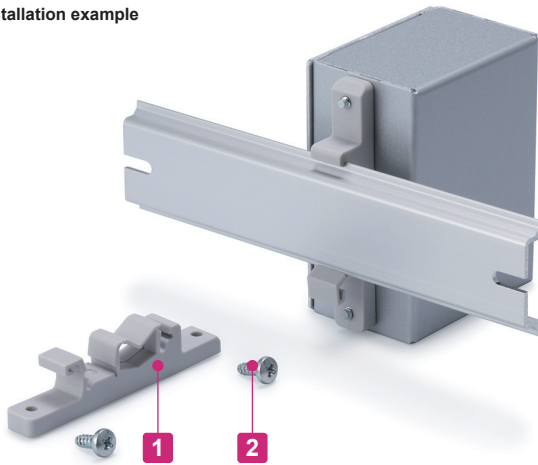
**DRF** series

**DIN RAIL MOUNTING BRACKET**

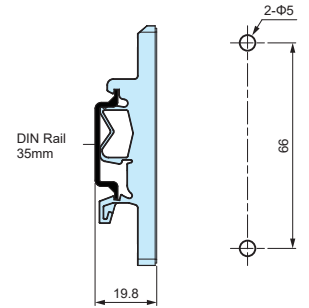


■ DXF/DWG/PDF drawings available on our website.

Installation example



Hole layout for mounting



Installed on 35mm DIN Rail

- Mounting bracket for installation of enclosures, PCB and other parts onto 35mm DIN Rail. Can be easily detached.
- Bulk packaging is available.

Technical Data
Max load : 1.5kg

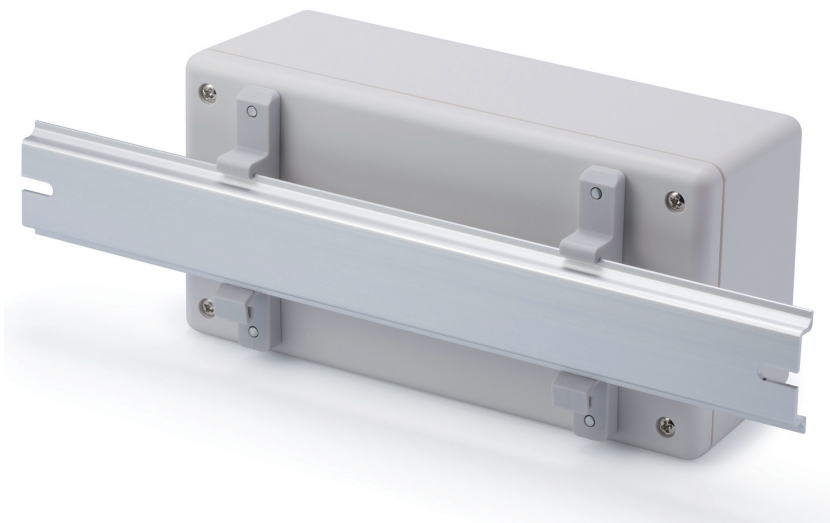
Components

No.	Part name	Pcs	Material	Color / Finish
1	Mounting bracket	1	PP	White gray
2	Screw (Bind head tapping 4-10)	2	Steel	Trivalent chromate

Product no. / Details

Product no.	Weight (g)	Pack of
DRF80-1	8.4	1
DRF80-1-P	8.4 / pc	20

Installation example (using 2pcs)

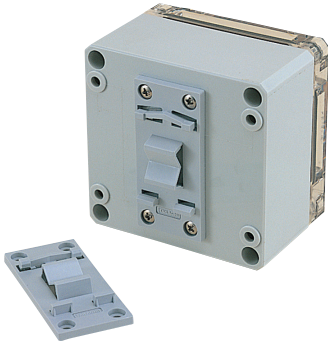




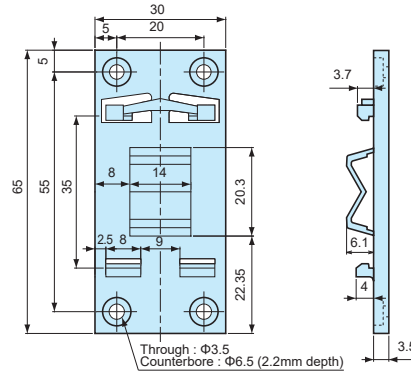
**DRT series**

**DIN RAIL MOUNTING BASE**

**Installation example**

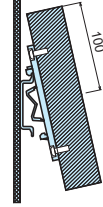


■ DXF/DWG/PDF/STP drawings available on our website.



■ NOTE

Before installation, please ensure that the length (from top) of the enclosure is equal to, or less than 100mm from the center of the mounting base.



- For installation of enclosures, PCB and other parts onto a DIN Rail.
- Simple installation and removal by tilting the case at an angle and sliding it in/out.

**Technical Data**

Max load : 1kg

**Product no. / Details**

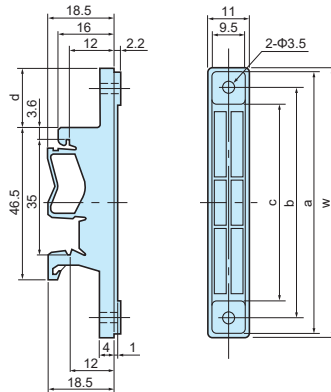
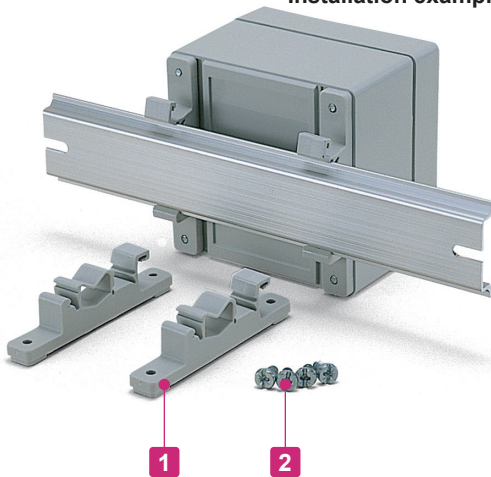
Product no.	Material	Color	Weight (g)	Pack of
DRT-1	PC/ABS UL94V-0	Light gray	7.3	1
DRT-1-P	PC/ABS UL94V-0	Light gray	7.3 (1pc)	50

**CKD series**

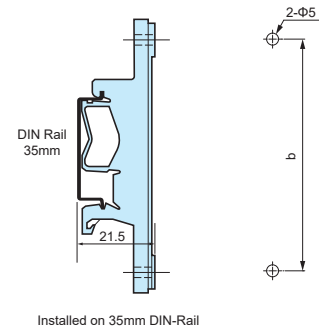
**DIN RAIL MOUNTING FEET**

**Installation example**

■ DXF/DWG/PDF drawings available on our website.



Hole layout for mounting



- Mounting feet for installation of enclosures, PCB and other parts onto a DIN Rail. Can be easily detached.

**Technical Data**

Max load : 3kg / 2pcs

**Components**

No.	Part name	Pcs	Material	Color / Finish
1	Mounting feet	2	Polyamide	White gray
2	Screw (special type 4.2 x 9.5)	4	Steel	Unichrome plated

**Product no. / Details**

Product no.	W	a	b	c	d	Weight (g)	Pack of
CKD-120	117	115	106	96	37	21 (2pcs)	2
CKD-160	157	155	147	136	57	24 (2pcs)	2