

FCWS SERIES

CUSTOM SIZED ALUMINIUM BOX WITH HINGED DOOR



- Custom sized aluminium box with available width from 150 to 400mm, and depth from 150mm to 600mm in 1mm intervals.
- Selectable in 6 different height types: 50, 63, 75, 100, 125 and 150mm.
- Selectable in 2 different color combinations, with Normal type, or with key lock type handle.
- Standard size FCW series are also available (width and depth available in 50mm intervals).



■ See FCW series product pages for more information.

Included screws :
 M4-15 pan head, trivalent chromate x 16 pcs
 M3-5 pan head, trivalent chromate x 2 pcs or 3 pcs
 M3-5 countersunk trivalent chromate x 2 pcs or 3 pcs
 M4-8 trivalent chromate with washer x 2 pcs or 4 pcs
 M4-6 trivalent chromate with washer x 2 pcs or 4 pcs

Components

No.	Part name	Pcs	Material	Color / Finish
1	Frame	4	Extruded aluminium A6063S-T5	Silver / Anodized
2	Corner block	4	ABS UL94HB	Light gray • Black
3	Blind plug	8	TPE	Light gray • Black
-	Slide panel	1	Aluminium A 1100P t=1.5	Silver / Anodized
4	Open-closing panel	1	Aluminium A 1100P t=2.0	Silver / Anodized
5	Flat handle	1 set	Diecast zinc	Silver / Painted
6	Hinge	1 set	Diecast zinc	Silver / Painted
-	Panel protection pad	6	Polyolefin foam	Black

Confirm Product No. Confirm product no. with **1**~**3** values on page FCWS-2.

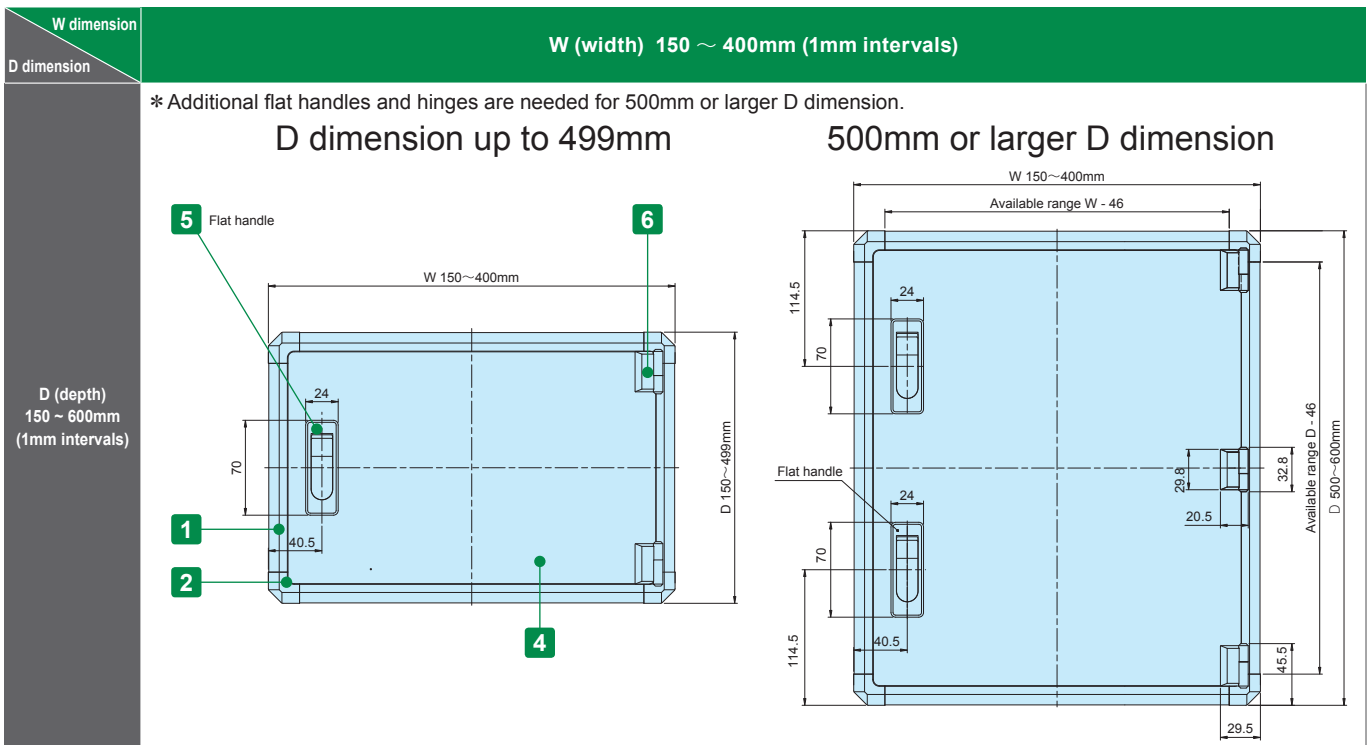
Product no. FCWS - -
W D H Handle Code Color Code

Example : W = 255mm, D = 352 mm, H = 125.4mm, Normal type handle, and GS color.

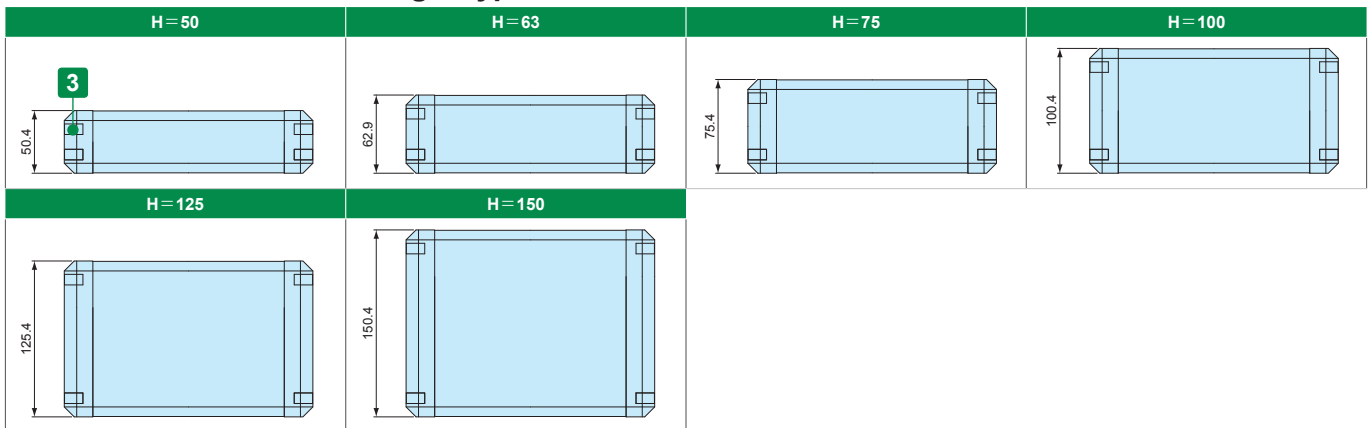
FCWS - -

1 Specify Dimensions

Specify W and D dimensions refer to the below chart and select H (height).

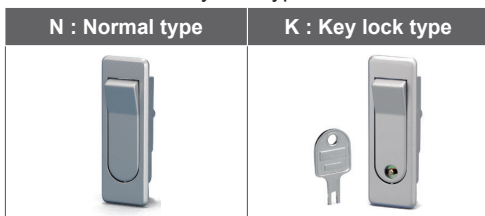


■ Select from 6 available height types.



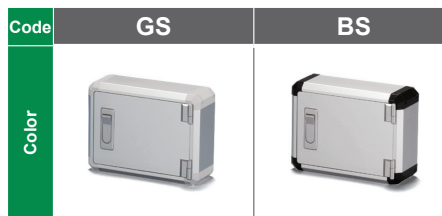
2 Select Flat Handle Type

Select normal or key lock type



3 Select Color

Select from 2 available colors



Lead time

Custom Size Only
Custom Size + Hole Milling

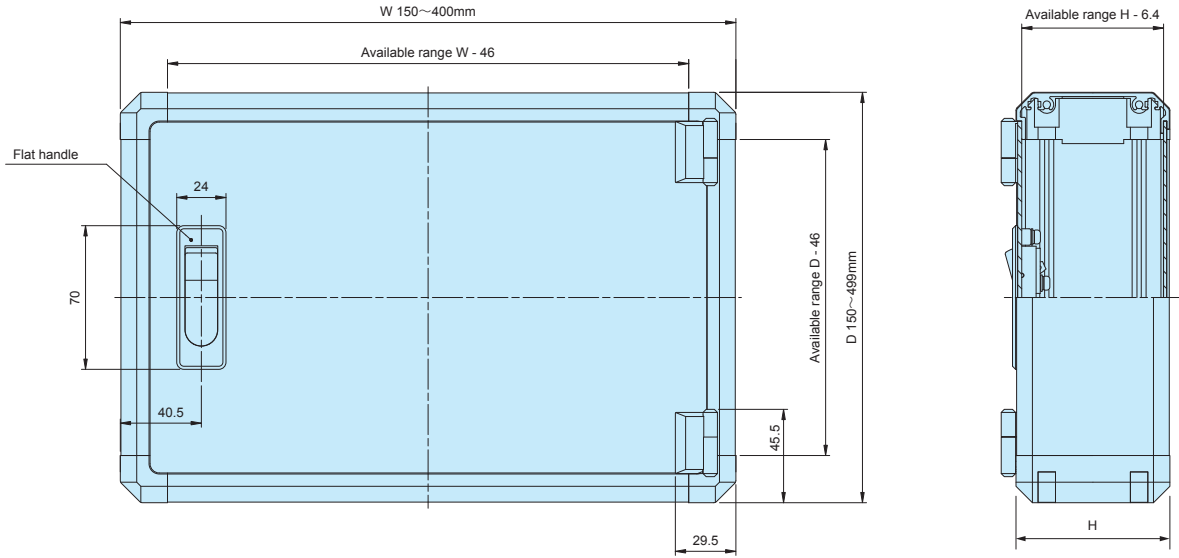
6 business days (1 ~ 5 pcs)
12 business days (1 ~ 5 pcs)

Order Inquiry

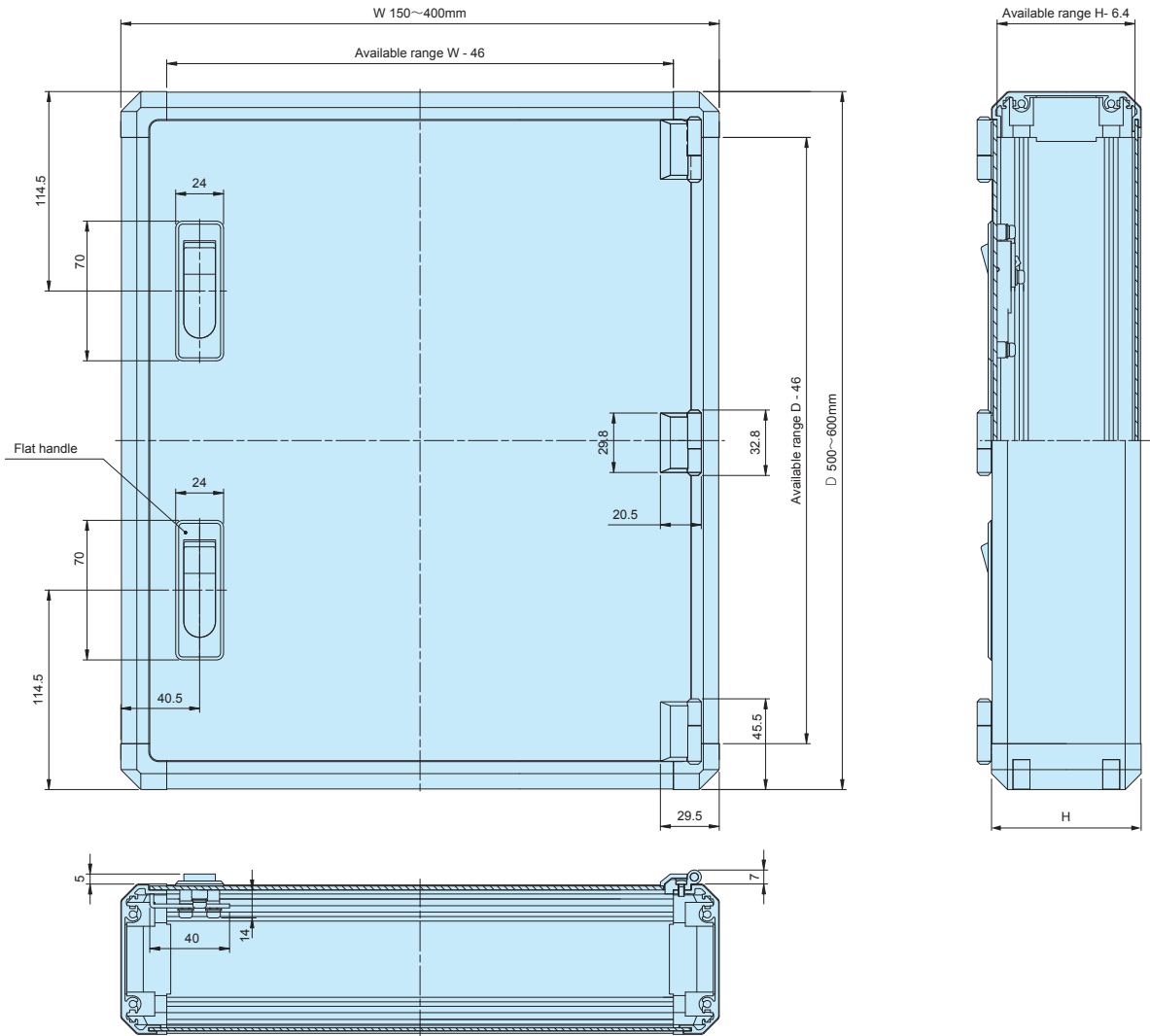
For more information, contact us here at sales@takachi-el.co.jp

FCWS dimensions

Models with D dimension up to 499mm have 2 hinges and 1 flat handle.

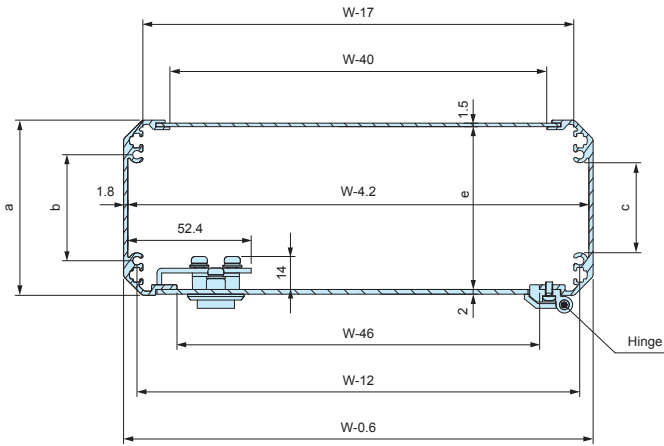


Models with 500mm or larger D dimension have 3 hinges and 2 flat handles.

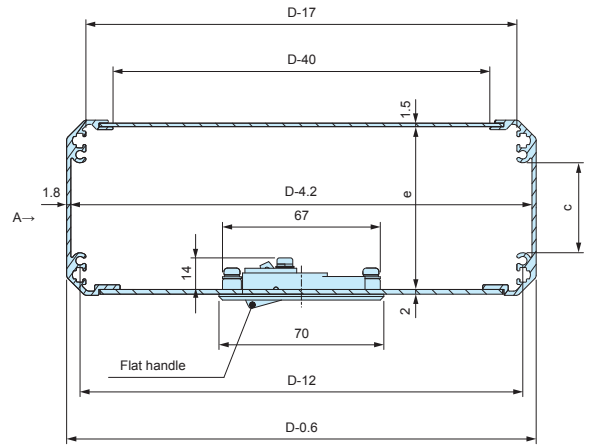


Cross-section Veiw

FCWS



View from W side



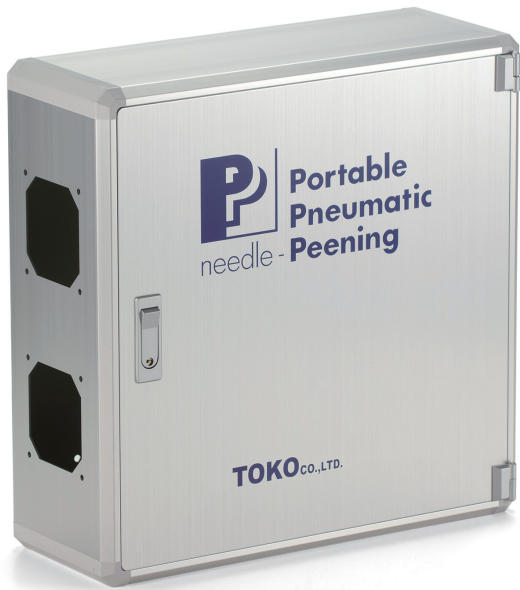
View from D side

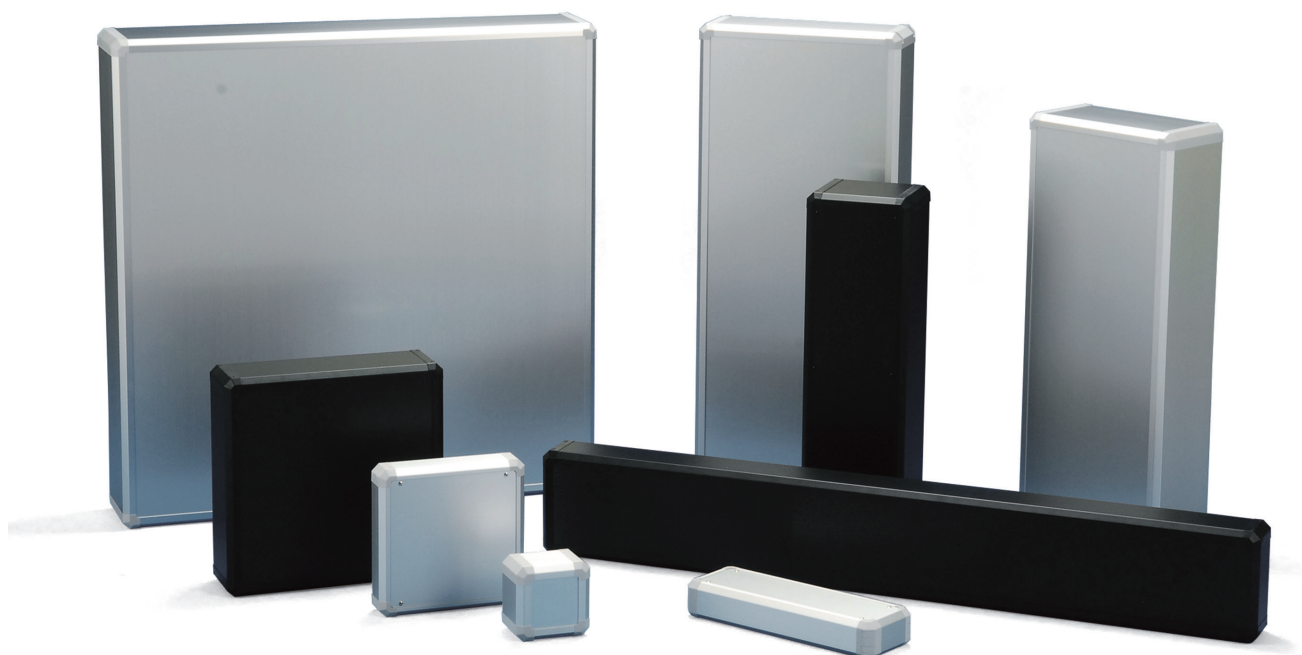
H (Box height)	a	b	c	e
50.4	49.4	20	13.2	44
62.9	61.9	32.5	25.7	56.5
75.4	74.4	45	38.2	69
100.4	99.4	70	63.2	94
125.4	124.4	95	88.2	119
150.4	149.4	120	113.2	144

FCS•FCWS SERIES CUSTOM SIZED ALUMINIUM BOX

APPLICATION EXAMPLES

Custom sized FCS•FCWS series aluminium box is extremely versatile and can be used in various applications.





- Custom sized aluminium control box with available width and depth from 75mm to 1,000mm in 1mm intervals.
- Selectable in 7 different height: 38, 50, 63, 75, 100, 125 and 150mm.
- 4 different color combinations are available for selection.



- Standard size FC series are also available. See FC series product pages for more information.



- Optional wall mount support arm MAR series is available. See page 181 ~ 182 for further details.

Included screws :
 M4-15 pan head & Trivalent chromate x 16 pcs
 (M3-15 for H = 38 models)
 M3-5 original trapezoid head (plus) & Nickel plated / Black trivalent chromate x 8 pcs or 12 pcs

Components

No.	Part name	Pcs	Material	Color / Finish
1	Frame	4	Extruded aluminium A6063S-T5	Silver • Black / Anodized with clear coating
2	Corner block	4	ABS UL94HB	Light gray • Black
3	Blind plug	8	Elastomer	Light gray • Black
4	Slide panel	1	Aluminium A1100P	Silver / Anodized • Black / Painted
-	Screwed panel	1	Aluminium A1100P	Silver / Anodized • Black / Painted

- Panels are covered with a protective film on one side

Lead Time

Custom Size Only 4 business days (1 ~ 10 pcs)
 Custom Size + Hole Milling 9 business days (1 ~ 10 pcs)

Order Inquiry

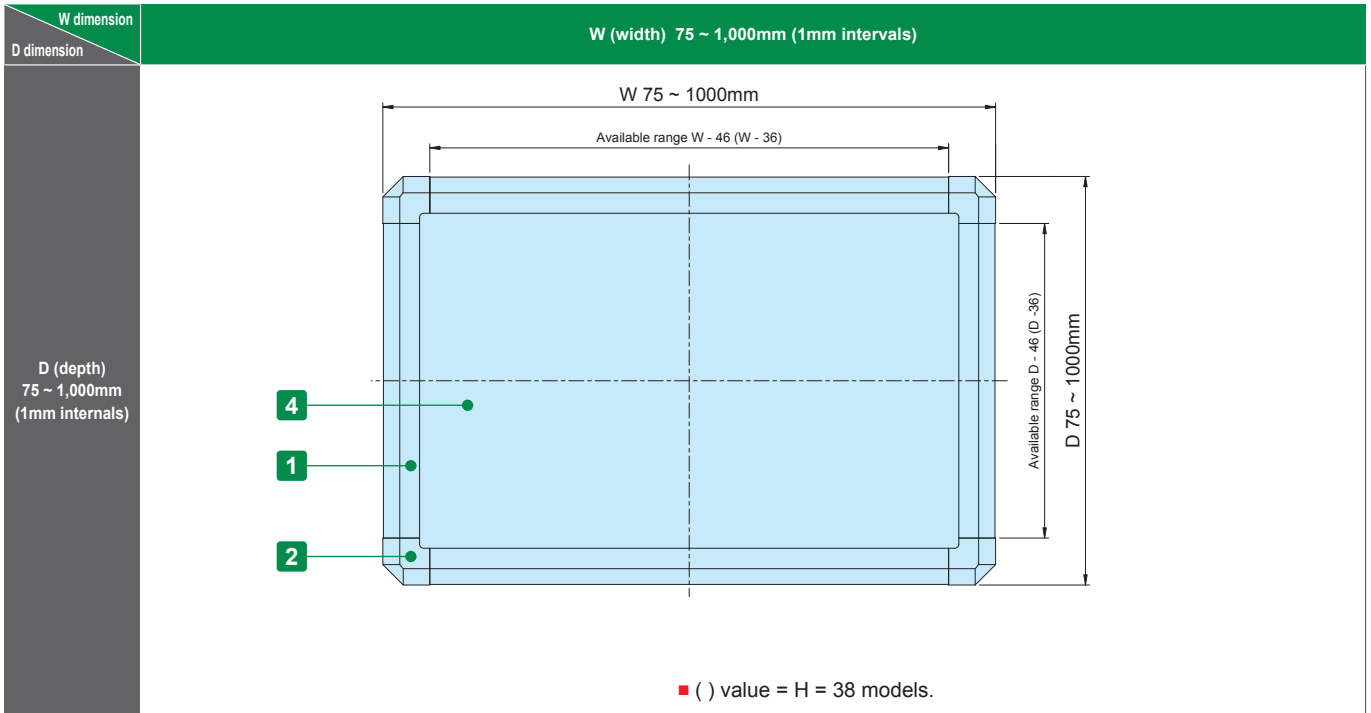
For more information, contact us here at sales@takachi-el.co.jp

CUSTOM SIZE WEB QUOTATION

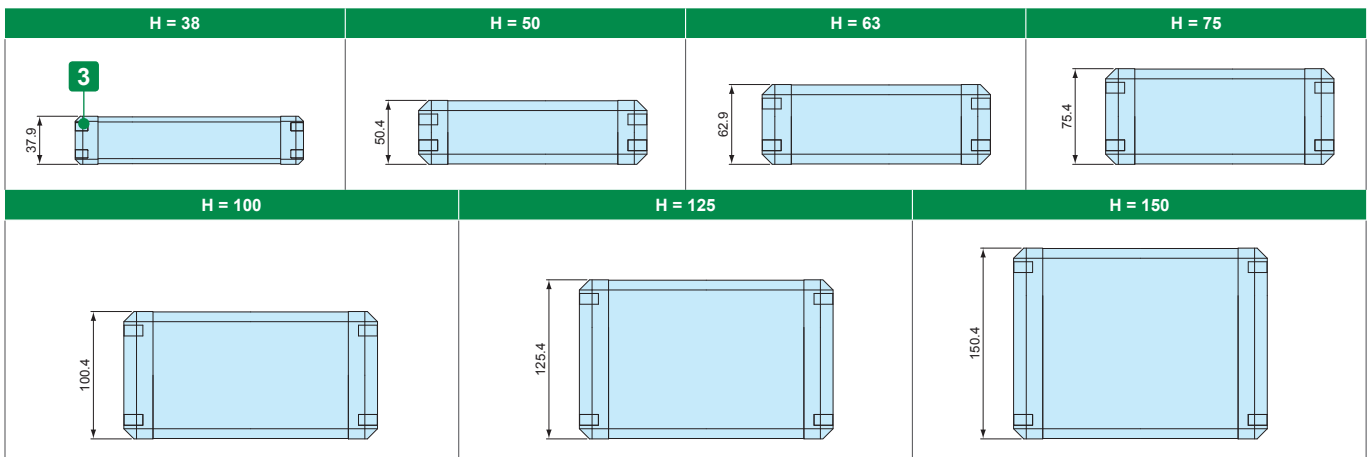
Send your inquiry via our online form now!
 Visit the FCS product page on our website, click on the "CUSTOM SIZE WEB QUOTATION" button, and fill in the required details. The product number will be generated, and once your information have been filled in, simply click on SUBMIT and await for our sales team's contact!

1 Dimensions

■ W (Width) • D (Depth) : To select W and D dimensions from the table below in 1mm intervals.



■ H (Height) : To select frame type from the table below.



2 Color

To select color code from the table below.

Code	GS	BS	BX	BB
Color				

Product Number

To determine a product number, fill W, H, D and select Color code in the following blank boxes.

Product no. FCS - -

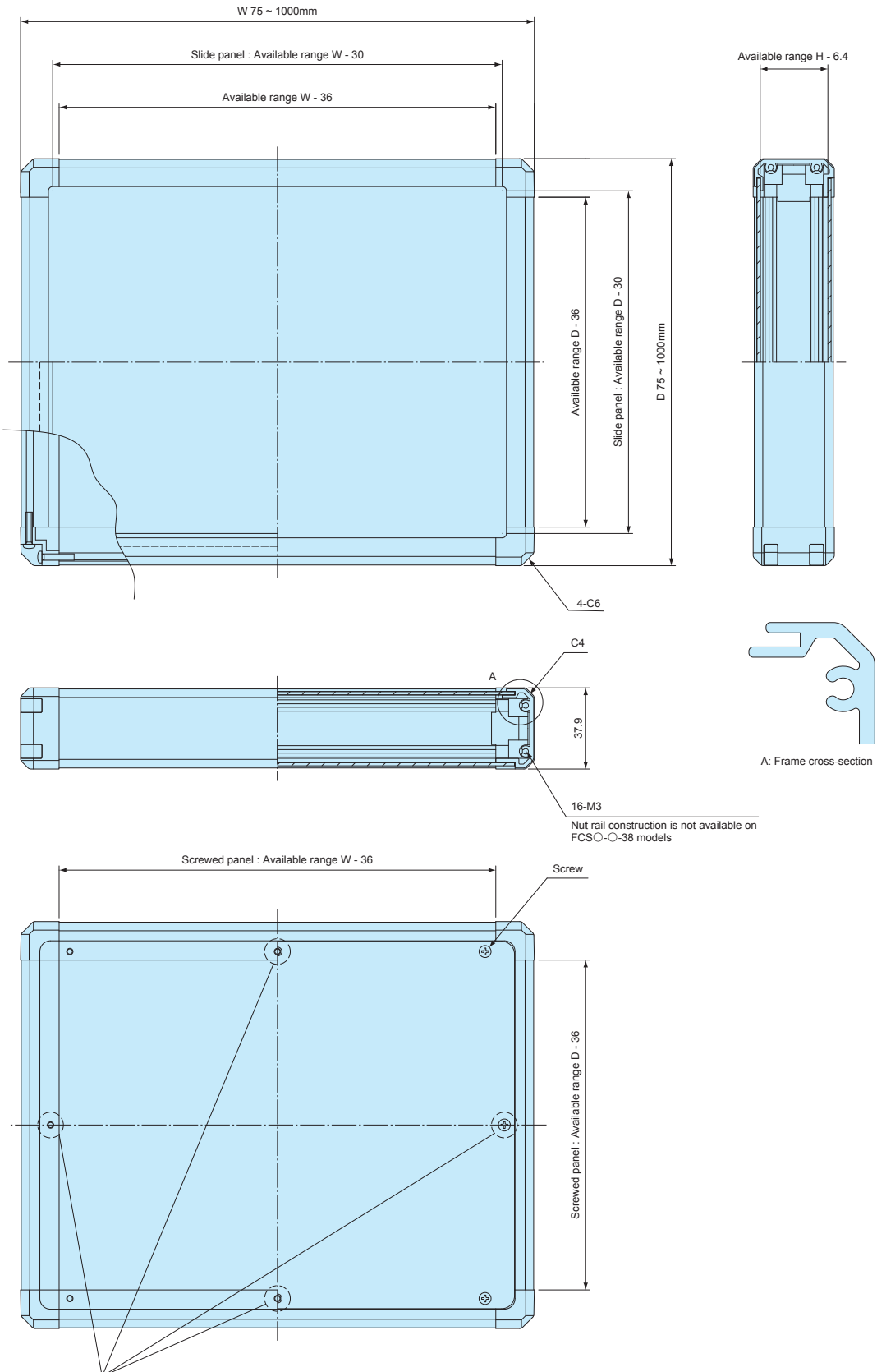
1 W 1 D 1 H 2 Color code

Numbering example: W:770 x D:550 x H:75 and GS color code → **FCS770-550-75GS**

FCS dimensions

DXF/DWG/PDF drawings available on our website.

FCS○-○-38

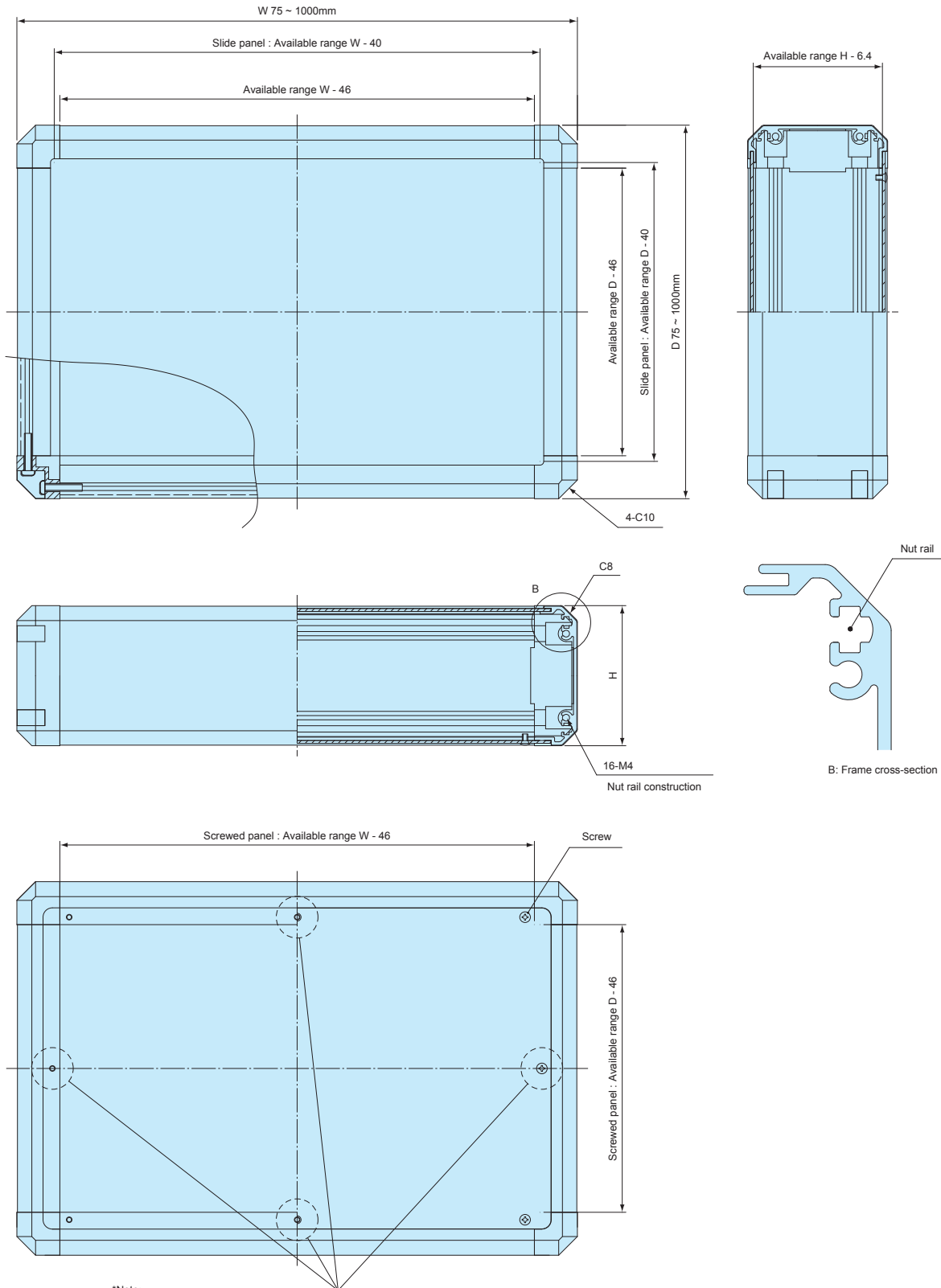


*Note:
 1 set of screw holes (on each corresponding side) will be required for assembly if W or D dimension is 390mm or larger.
 2 sets of screw holes (on each corresponding side) will be required for assembly if W or D dimension is 591mm or larger.

Screw Number Chart for Screwed Panel

W dimension	D dimension		
	75 ~ 389mm	390 ~ 590mm	591 ~ 1000mm
75 ~ 389mm	4	6	8
390 ~ 590mm	6	8	10
591 ~ 1000mm	8	10	12

FCS ○-○-50 FCS ○-○-100
 ○-○-63 ○-○-125
 ○-○-75 ○-○-150



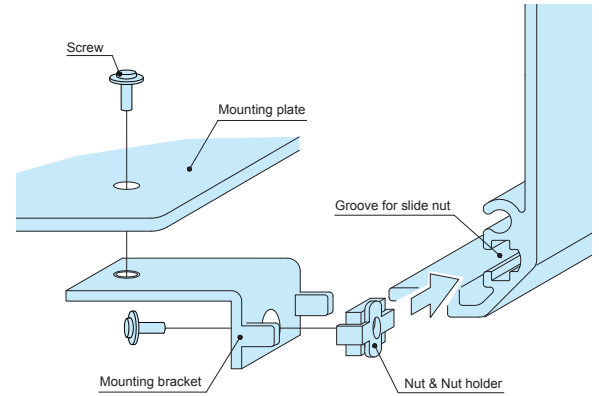
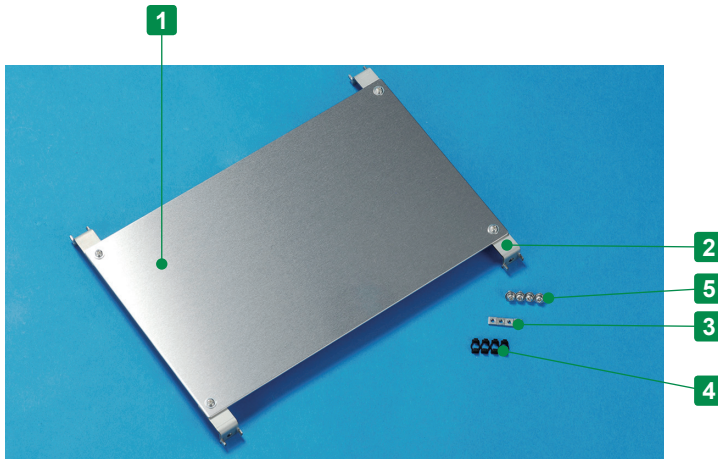
*Note:
 1 set of screw holes (on each corresponding side) will be required for assembly if W or D dimension is 400mm or larger.
 2 sets of screw holes (on each corresponding side) will be required for assembly if W or D dimension is 601mm or larger.

Screw Number Chart for Screwed Panel

D dimension W dimension	75 ~ 399mm	400 ~ 600mm	601 ~ 1000mm
	75 ~ 399mm	4	6
400 ~ 600mm	6	8	10
601 ~ 1000mm	8	10	12

FCSC SERIES

CUSTOM SIZED ALUMINIUM MOUNTING PLATE for FCS • FCWS



How to assemble

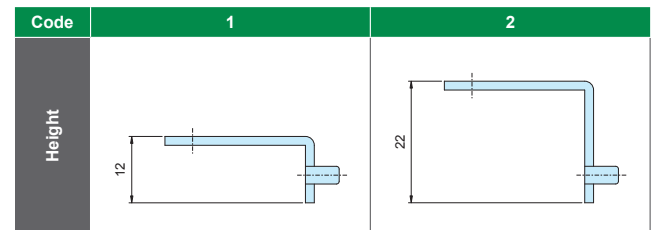
- ① Slide a M3 Nut and Nut holder into the groove on the FCS • FCWS frame.
- ② Screw the mounting bracket into the nut holder.
- ③ Screw the mounting plate onto the mounting bracket.

- Custom sized mounting plate can be made for FCS • FCWS custom sized box.
- Mounting bracket is selectable in 2 types: [1] H = 12mm, or [2] H = 22mm.
- **Not suitable for FCS□-□-38 or FCWS□-□-38 models. (H = 37.9mm)**
- Use 22mm height type when used in the FCWS series, open/close panel side.

Components

No.	Part name	Material	Color / Finish
1	Mounting plate	Aluminium A1050P	Unfinished
2	Mounting bracket	Steel SECC	Zinc coated
3	M3 Nut	Steel SPCC	Trivalent chromate
4	Nut holder	POM	Black
5	Screw	Steel M3-6	Trivalent chromate

Select Bracket Height



Confirm Product No. Specify box dimensions and bracket height.

Product no. FCSC - -
 Box W dimension Box D dimension Bracket height
 (1 or 2)

Example : Box W dimension = 450 mm, Box D dimension = 200 mm and Mounting Bracket type [1] H = 12mm.

FCSC - -

Lead time

Custom Size Only 4 business days (1 ~ 10 pcs)
 Custom Size + Hole Milling 8 business days (1 ~ 10 pcs)

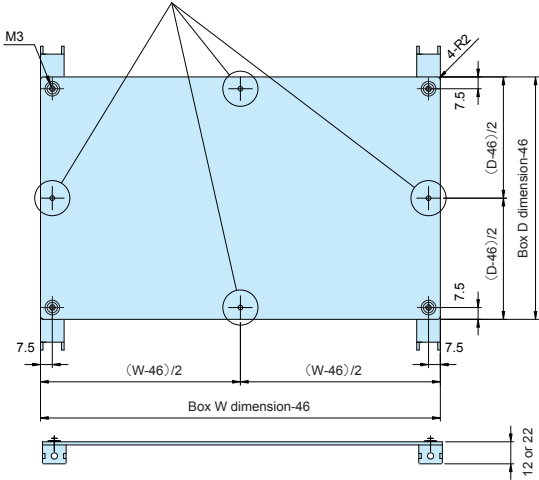
Order Inquiry

For more information, contact us here at sales@takachi-el.co.jp

FCSC dimensions

Available dimensions range : W = 75~600mm x D = 75~600mm

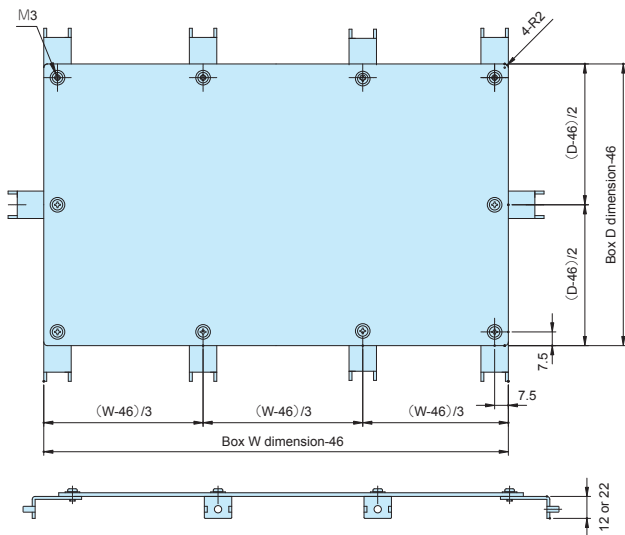
※Caution For W and D dimensions larger than 300mm, 2 additional mounting holes will be added.
For W and D dimensions = 600mm, 4 additional mounting holes will be added.)



Box W dimension	Box D dimension	Number of holes
75~399mm	75~399mm	4
75~399mm	400~600mm	6
400~600mm	75~399mm	6
400~600mm	400~600mm	8

Included screws: M3-6 pan head trivalent chromate with flat washer x 8 or x 16 pcs

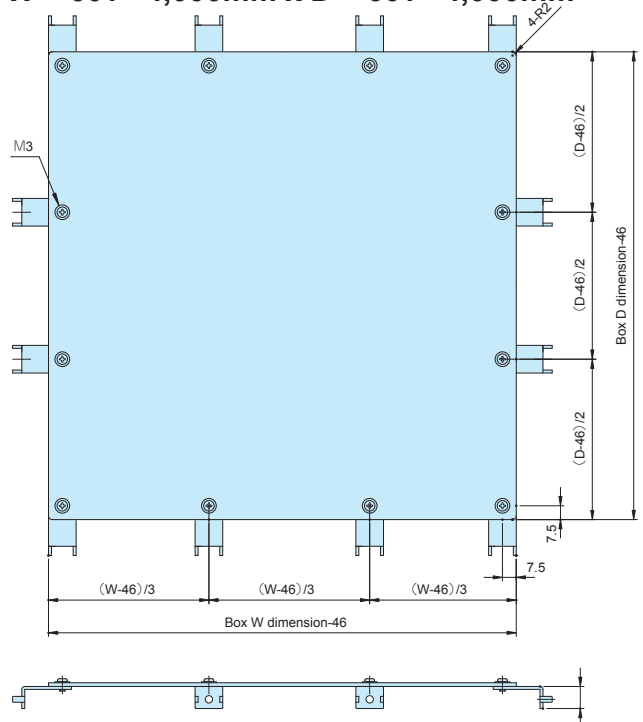
**For W and D dimensions :
W = 400~600mm x D = 601~1,000mm**



Included screws: M3-6 pan head trivalent chromate with flat washer x 20 pcs

Box W dimension	Box D dimension	Number of holes
601~1000mm	400~ 600mm	10
400~ 600mm	601~1000mm	10

**For W and D dimensions :
W = 601~1,000mm x D = 601~1,000mm**

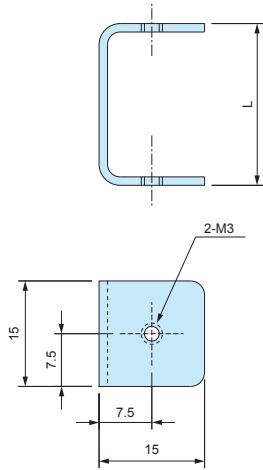


Included screws: M3-6 pan head trivalent chromate with flat washer x 24 pcs

Box W dimension	Box D dimension	Number of holes
601~1000mm	601~1000mm	12

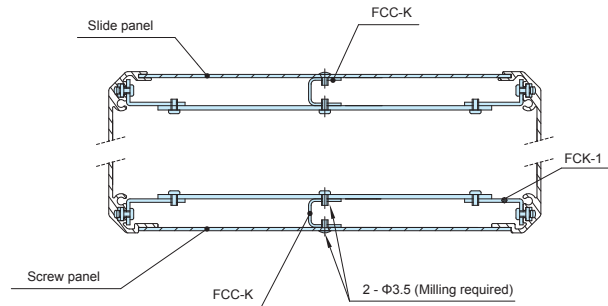
FCC-K SERIES

MOUNTING PLATE REINFORCING BRACKET



- Recommended to be used when a heavy load is attached onto the mounting plate.
- Requires 2 - $\Phi 3.5$ hole milling on the mounting plate for installation.
- Can be freely installed based on your requirements.
- Not suitable for FCS□-□-38 or FCWS□-□-38 models. (H = 37.9mm)
- Use FCC-K-1 for the mounting plate with FCK-1 brackets and use FCC-K-2 for the mounting plate with FCK-2 brackets.

INSTALLATION EXAMPLE



Product no. / Dimensions

Product no.	L	Matching bracket	Pack of
FCC-K-1	13	FCK-1	2
FCC-K-2	23	FCK-2	2

Included screws : M3-6 pan head trivalent chromate with flat washer x 2 pcs
 M3-5 slotted raised countersunk nickel plated / black trivalent chromate x 2 pcs each

MR3-5Z SERIES

SLOTTED RAISED COUNTERSUNK TORX SCREW



- For use with panels.
- Recommended for aesthetic purposes, or for resistance against tampering.
- Requires the use of a specialized screwdriver.

Product no. / Dimensions

Product no.	M	L	TORX head no.	Material	Color / Finish	Pack of
MR3-5ZS	3	5	T10	Steel	Nickel plated	20
MR3-5ZB	3	5	T10	Steel	Black trivalent chromate	20