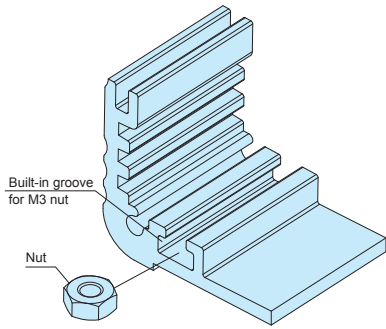
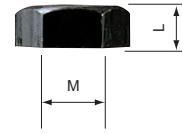


# MT-3N SLIDING NUT for EX□ • EXH□



## MT-3N dimensions



### Product no. / Dimensions

Product no.	M	L	Material	Finish	Pack of
MT-3N	3	2.4	Steel	Black trivalent chromate	50

- Sliding nut can be used on all EXPT • EXP • EXPE • EXW • EXPF • EXEF • EXWF • EX models with width 140mm or larger bottom covers, as well as with width 230mm and 285mm top covers, on all EXH • EXHE • EXHF • EXHFE models with width 140mm or larger bottom covers, as well as all heat-sink top covers.

# EXEG series EMC SHIELDING FABRIC-OVER-FOAM GASKET

- Exclusive EMC shielding fabric-over-foam gasket for EXPE • EXEF • EXHE • EXHFE models.

### Suitable Models

Product no.	Suitable models
EXEG-2.5	EXPE7-□, 9-□, 12-□, 15-□, EXEF7-□, 9-□, 11-□, 15-□ EXHE8-□, 11-□, 14-□, EXHFE8-□, 11-□, 14-□
EXEG-3.2	EXPE20-□, 24-□, 30-□, EXEF20-□, 24-□ EXHE19-□, 23-□, 29-□, EXHFE19-□, 23-□, 29-□



- Material / Color : Conductive fiber • TPE / Metallic gray

### Product no. / Dimensions

Product no.	Dimensions	Pack of
EXEG-2.5	Φ2.5×500mm	1
EXEG-3.2	Φ3.2×500mm	1

Length tolerance = +/- 10%

## EX series APPLICATION EXAMPLE

### Tube Amplifier

Product by MJ Audio Technology



### IoT Relay Module

Product by Bunnyhop (Japan)



### Premain Power Amplifier

Product by AY-densi (Japan)



### USB Edge Node

Product by SHINWA (Japan)

