

NOTICE

EXH, EXHF and EXHS Series Discontinuation of Color Types

- Affected series / models : EXH, EXHF, EXHS series ("BS" and "SB" color types).

BS Color Type (Discontinued)



SB Color Type (Discontinued)



NOTICE

EXH, EXHF, EXHS, EF and EF-36 Series Changes to Surface Finish

- Affected series/models : EXH, EXHF, and EXHS series ("SS" color type)
EF, and EF-36 series ("S" color type)
- Changes : Surface Finish

Current (Old) DesignNew DesignCurrent (Old) Surface Finish

- Silver Anodized

New Surface Finish

- Silver Metallic Painted (Unfinished Inside)

- Purpose: To ensure consistent quality throughout via streamlined supply chain and materials.
- Effective date : From December 9, 2021.
- Alternatives : "SS" or "BB" color types.

Thank you for your understanding.
For more information, kindly contact us at: sales@takachi-el.co.jp

EF series

WALL MOUNTING BRACKET for EX • EXH • EXHE



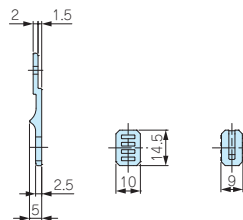
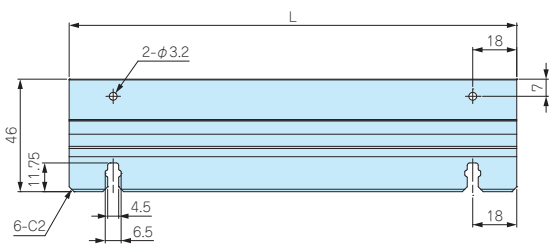
Installation Example



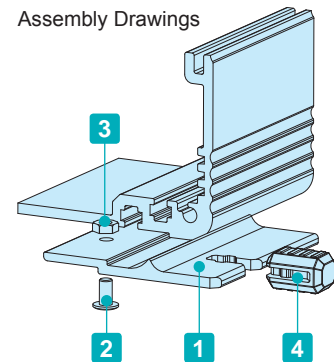
- Wall mounting bracket for EX, EXH, and EXHE series. Applicable only for width 185, 230, and 285mm bottom covers.
- Easy installation by inserting the nuts into built-in grooves on EX, EXH, and EXHE bottom cover.
- Rubber feet are included to hide the mounting cutouts when not used for wall mounting, and act as feet stabilizers for desktop use.

EF dimensions

■ DXF/DWG/PDF/STP drawings available on our website.



Assembly Drawings



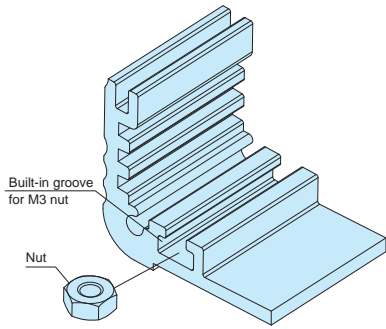
Components

| No. | Part name | Pcs | Material | Color / Finish |
|-----|-------------|-----|------------------------------|--|
| 1 | Bracket | 2 | Extruded aluminium A6063S-T5 | Metallic silver / Painted • Black / Anodized |
| 2 | Screw | 4 | Steel | Black trivalent chromate |
| 3 | Nut | 4 | Steel | Black trivalent chromate |
| 4 | Rubber feet | 4 | Silicone | Black |

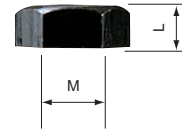
Product no. / Dimensions

| Product no. | | L | Suitable models |
|---------------------|---------------------|-------|------------------------|
| ● Metallic silver | ● Black | | |
| EF19-13S | EF19-13B | 119.5 | EX • EXH • EXHE19-□-13 |
| EF19-18S | EF19-18B | 171.5 | EX • EXH • EXHE19-□-18 |
| EF19-23S | EF19-23B | 224.5 | EX • EXH • EXHE19-□-23 |
| EF19-29S | EF19-29B | 279.5 | EX • EXH • EXHE19-□-29 |
| EF23-15S | EF23-15B | 146.5 | EX • EXH • EXHE23-□-15 |
| EF23-21S | EF23-21B | 206.5 | EX • EXH • EXHE23-□-21 |
| EF23-27S | EF23-27B | 266.5 | EX • EXH • EXHE23-□-27 |
| EF23-33S | EF23-33B | 326.5 | EX • EXH • EXHE23-□-33 |
| NEW EF29-23S | NEW EF29-23B | 227.5 | EX • EXH • EXHE29-□-23 |
| NEW EF29-30S | NEW EF29-30B | 297.5 | EX • EXH • EXHE29-□-30 |
| NEW EF29-38S | NEW EF29-38B | 377.5 | EX • EXH • EXHE29-□-38 |

MT-3N SLIDING NUT for EX□ • EXH□



MT-3N dimensions



Product no. / Dimensions

| Product no. | M | L | Material | Finish | Pack of |
|-------------|---|-----|----------|--------------------------|---------|
| MT-3N | 3 | 2.4 | Steel | Black trivalent chromate | 50 |

- Sliding nut can be used on all EXPT • EXP • EXPE • EXW • EXPF • EXEF • EXWF • EX models with width 140mm or larger bottom covers, as well as with width 230mm and 285mm top covers, on all EXH • EXHE • EXHF • EXHFE models with width 140mm or larger bottom covers, as well as all heat-sink top covers.

EXEG series EMC SHIELDING FABRIC-OVER-FOAM GASKET

- Exclusive EMC shielding fabric-over-foam gasket for EXPE • EXEF • EXHE • EXHFE models.

Suitable Models

| Product no. | Suitable models |
|-------------|---|
| EXEG-2.5 | EXPE7-□, 9-□, 12-□, 15-□, EXEF7-□, 9-□, 11-□, 15-□ EXHE8-□, 11-□, 14-□, EXHFE8-□, 11-□, 14-□ |
| EXEG-3.2 | EXPE20-□, 24-□, 30-□, EXEF20-□, 24-□ EXHE19-□, 23-□, 29-□, EXHFE19-□, 23-□, 29-□ |

Product no. / Dimensions

| Product no. | Dimensions | Pack of |
|-------------|------------|---------|
| EXEG-2.5 | Φ2.5×500mm | 1 |
| EXEG-3.2 | Φ3.2×500mm | 1 |

Length tolerance = +/- 10%



- Material / Color : Conductive fiber • TPE / Metallic gray

EX series APPLICATION EXAMPLE

Tube Amplifier



IoT Relay Module



Premain Power Amplifier



USB Edge Node

