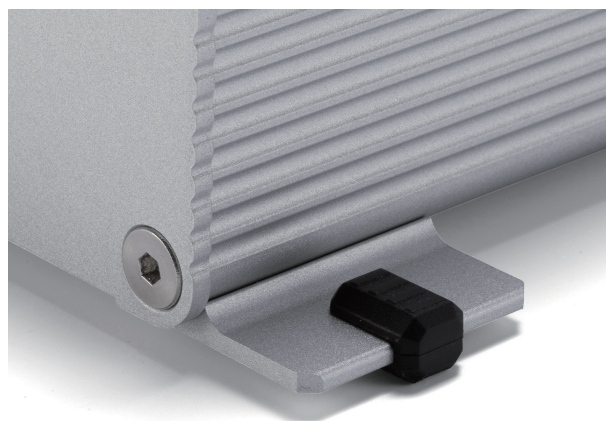
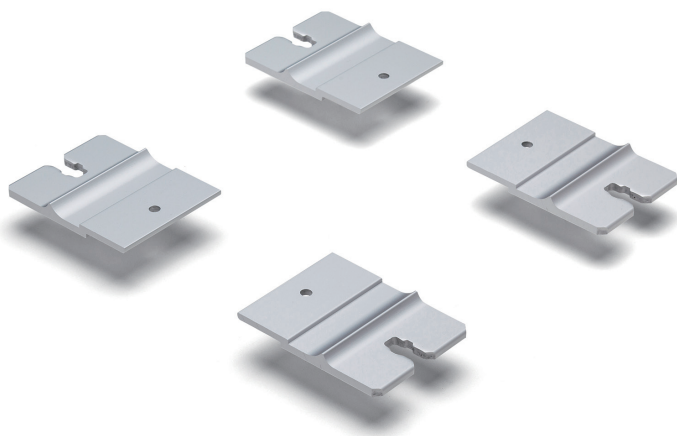


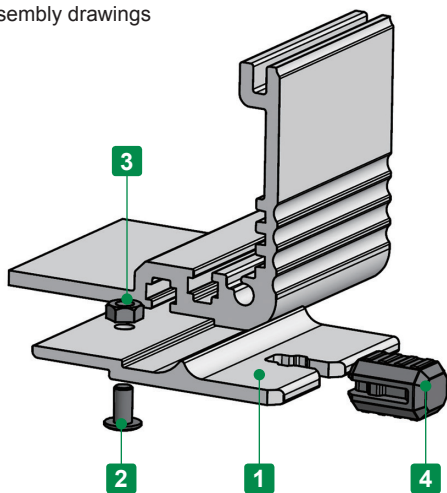
EF-36 series

WALL MOUNTING BRACKET for EXS • EXHS

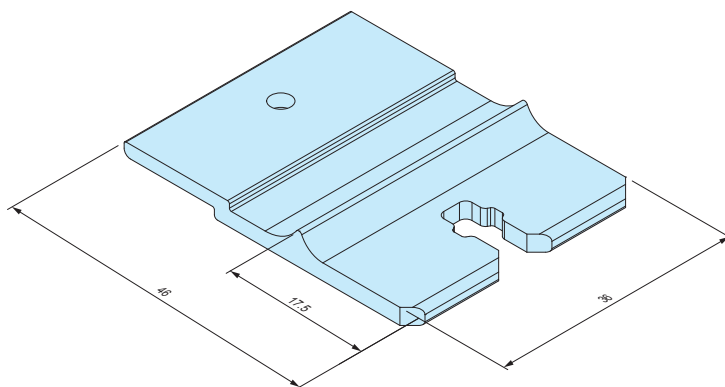


Utilize rubber feet inserts when placing on tables or flat surfaces.

Assembly drawings



EF-36 dimensions



■ DXF/DWG/PDF/STP drawings available on our website.

Components

No.	Part name	Pcs	Material	Color / Finish
1	Bracket	4	Extruded aluminium A6063S-T5	Metallic silver / Painted : Black / Anodized
2	Screw (Slim head M3-6)	4	Steel	Black trivalent chromate
3	Nut (For M3 screw)	4	Steel	Black trivalent chromate
4	Insert rubber feet	4	Silicone	Black

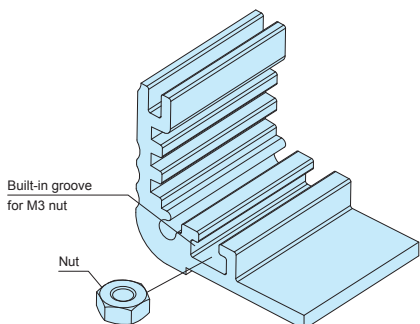
Product no.

Product no.	
● Metallic silver / Painted	● Black / Anodized
EF-36S	EF-36B

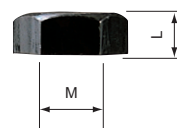
■ Applicable to be used on EXS series with 185mm or larger bottom covers, and EXHS series with 187mm or larger bottom covers.

MT-3N

SLIDING NUT for EXPS • EXPFS • EXWS • EXWFS • EXS • EXHS



MT-3N dimensions



Product no. / Dimensions

Product no.	M	L	Material	Finish	Pack of
MT-3N	3	2.4	Steel	Black trivalent chromate	50

■ Sliding nut can be used on all EXPS • EXPFS • EXWS • EXWFS • EXS models with width 140mm or larger bottom covers and with width 230mm and 285mm top covers, as well as on all EXHS models with width 140mm or larger bottom covers and on all heat-sink top cover sizes.