

**BCM SERIES**

**BLIND PLUG for BCAS • BCAL**



- Blind plug for BCAS • BCAL when installing hinges and latches.  
Not usable when using cover screws.

**Components**

Part name	Material	Color
Blind plug	ABS	White gray

**Product no. / Suitable box**

Product no.	Suitable box	Pack of
BCM-1	BCAS series (Not available for BCAS050604, 050605 models)	1
BCM-2	BCAL series	1

**CK SERIES**

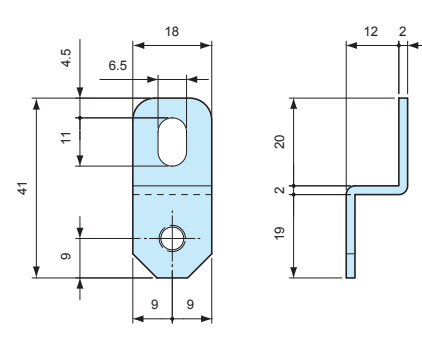
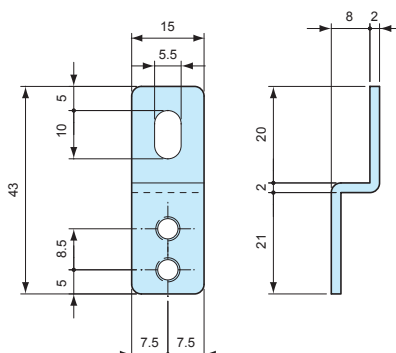
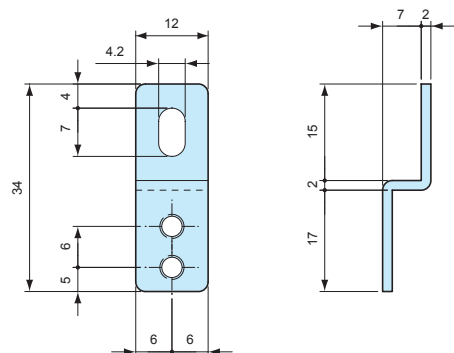
**STAINLESS STEEL MOUNT BRACKET**



CK-34Z dimensions

CK-35P dimensions

CK-26P dimensions



- CK-34Z model requires the use of MT4-10 screw.

**Product no. / Suitable box**

Product no.	Material	Finish	Suitable box	Included screw	Pack of
CK-34Z	Stainless steel SUS304	Barrel finish	BCAS series (Not applicable for BCAS050604, 050605 models)	-	4
CK-35P	Stainless steel SUS304	Barrel finish	BCAS050604G, BCAS050605G	Pan head tapping M4-10	4
CK-26P	Stainless steel SUS304	Barrel finish	BCAL series	Pan head M5-10	4

**MT4-10**

**MOUNTING SCREW**

- Use together with CK-34Z.

**Product no. / Feature**

Product no.	Material	Finish	Pack of
MT4-10 (Pan head M4-10)	Stainless steel	Unfinished	4