



Application example



Installed onto SIC series

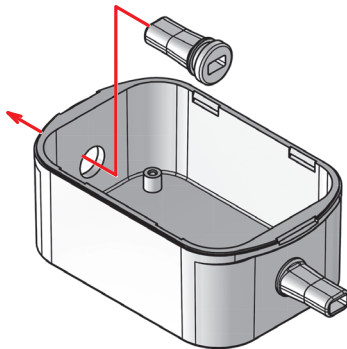


Installed onto EX series

- 4 new sizes added for a total of 8 different sizes available for selection.
- Strain relief cord protector help relief flex stress and damage to cables.
 - ※ Does not prevent cables from being dislodged.
- 2 types - round and flat - are available.
- Insert from the inner side of the case / panel of the enclosure.
- Made from high heat resistant silicone material.

Technical Data
Operating temperature: -40°C ~ +100°C

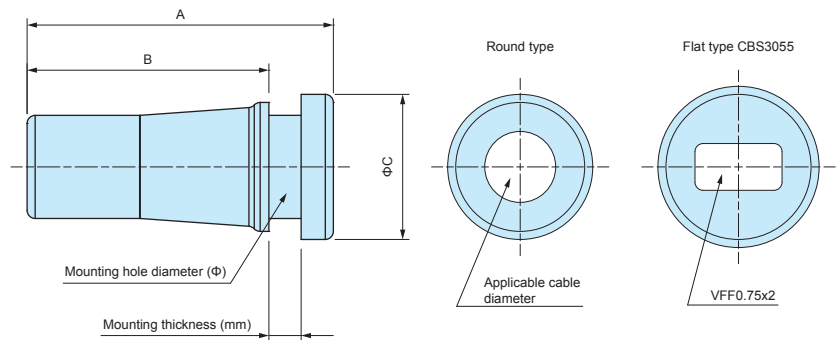
Installation steps



- ① Insert into the mounting hole from the inside.
 - ② Thread the cable through the protector.
- ※ Protector must be installed first.

CBS dimensions

■ DXF/DWG/PDF drawings available on our website.



Product no. / Details

Product no.		A	B	C	Applicable cable diameter / type	Mounting hole diameter (Φ)	Mounting thickness (mm)	Material	Pack of
● Black	● Off-white								
NEW CBS3055-15B	NEW CBS3055-15W	18.5	15	10	VFF0.75x2	7.6 ~ 7.8	1.5 ~ 2.0	Silicone	10
CBS3055-20B	CBS3055-20W	19	15	10	VFF0.75x2	7.6 ~ 7.8	2.0 ~ 2.5	Silicone	10
NEW CBS35-15B	NEW CBS35-15W	16.5	13	8	Φ3.5	5.6 ~ 5.8	1.5 ~ 2.0	Silicone	10
CBS35-20B	CBS35-20W	17	13	8	Φ3.5	5.6 ~ 5.8	2.0 ~ 2.5	Silicone	10
NEW CBS45-15B	NEW CBS45-15W	18.5	15	9	Φ4.5	6.6 ~ 6.8	1.5 ~ 2.0	Silicone	10
CBS45-20B	CBS45-20W	19	15	9	Φ4.5	6.6 ~ 6.8	2.0 ~ 2.5	Silicone	10
NEW CBS60-15B	NEW CBS60-15W	20.5	17	10.5	Φ6.0	8.1 ~ 8.3	1.5 ~ 2.0	Silicone	10
CBS60-20B	CBS60-20W	21	17	10.5	Φ6.0	8.1 ~ 8.3	2.0 ~ 2.5	Silicone	10