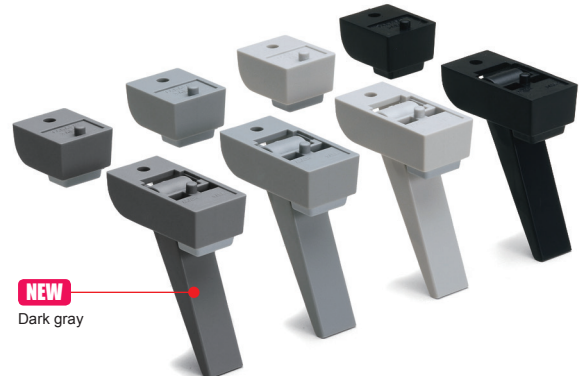
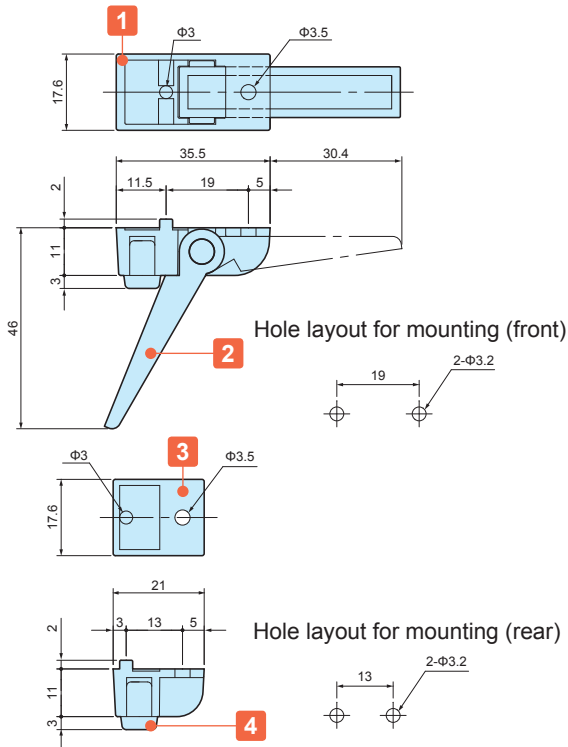




TL series TILT LEG

TL dimensions

DXF/DWG/PDF drawings available on our website.



NEW
Dark gray

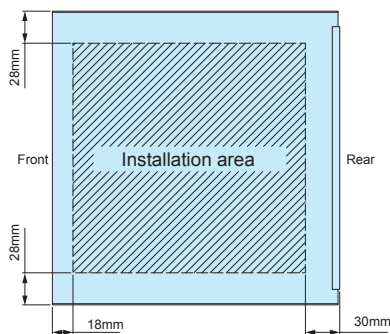
Components

* Maximum load = 7 kg

No.	Part name	Pcs	Material	Color / Finish
1	Front feet	2	ABS UL94HB	Black • Gray • Light gray • Dark gray
2	Leg	2	ABS UL94HB	Black • Gray • Light gray • Dark gray
3	Rear feet	2	ABS UL94HB	Black • Gray • Light gray • Dark gray
4	Rubber feet	4	EPDM	Gray • Black
-	Screw	4	Steel	Black trivalent chromate

Included screws: M3-8 and M3 nut (with washer) set.

MS SERIES INSTALLATION AREA



Product no. / Dimensions

Product no.	Color (body)	Color (rubber feet)	Sales unit
● TL-45BB	Black	Black	1 set
● TL-45GG	Gray	Gray	1 set
● TL-45SG	Light gray	Gray	1 set
NEW ● TL-45DG	Dark gray	Gray	1 set

- EPDM (black) may have its color migrate onto the placement surface.
- TL-45GG (Gray) shall be discontinued once current inventory has been depleted.

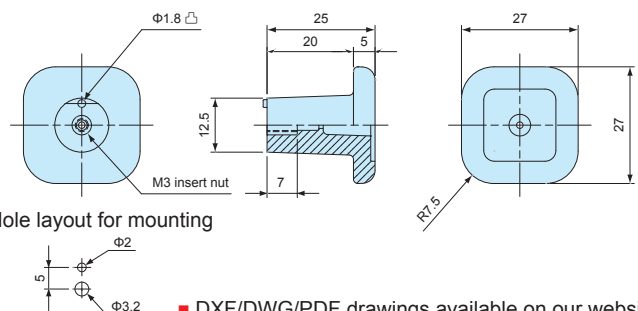
CBF-1G CABLE HOOK



APPLICATION EXAMPLE

- Used for wrapping and securing cords and wires.
- Can be used with a variety of different enclosure series and models.
- Requires a panel thickness of between 1.0 ~ 3.0mm.

CBF dimensions



Product no. / Dimensions

Product no.	Material	Color	Pack of
CBF-1G	ABS UL94HB	Gray	4

Included screws: M3-8 trivalent chromate (with washer) x 4 pcs

DXF/DWG/PDF drawings available on our website.