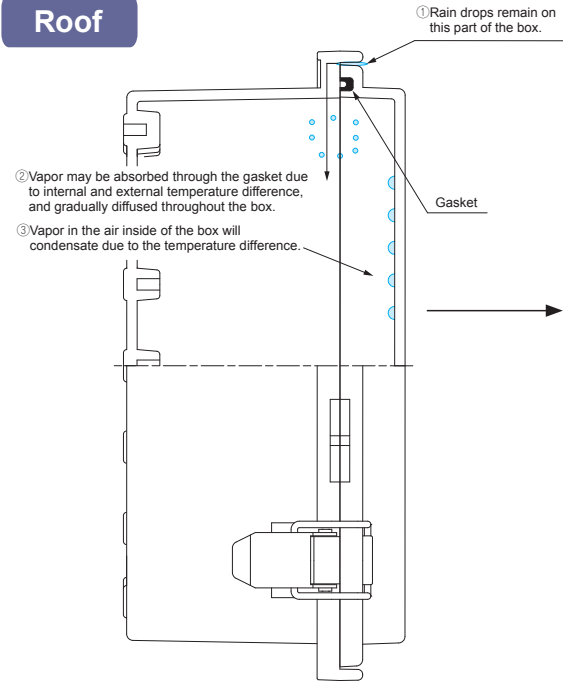


# PLASTIC WATERPROOF BOX OUTDOOR USE

\*Below are application examples for outdoor use of plastic waterproof boxes. Depending on the usage environment, effectiveness may vary.

## Roof



When installing waterproof box outdoors, installation under a roof, or attaching a roof accessory is recommended to prevent condensation inside the box. This is especially so for transparent lid models which are affected by direct sunlight, causing the temperature inside of the box to be higher than non-transparent lid models. Higher internal temperature (compared to the external part of the box) may cause vapor absorption, hence the importance of attaching a roof accessory.



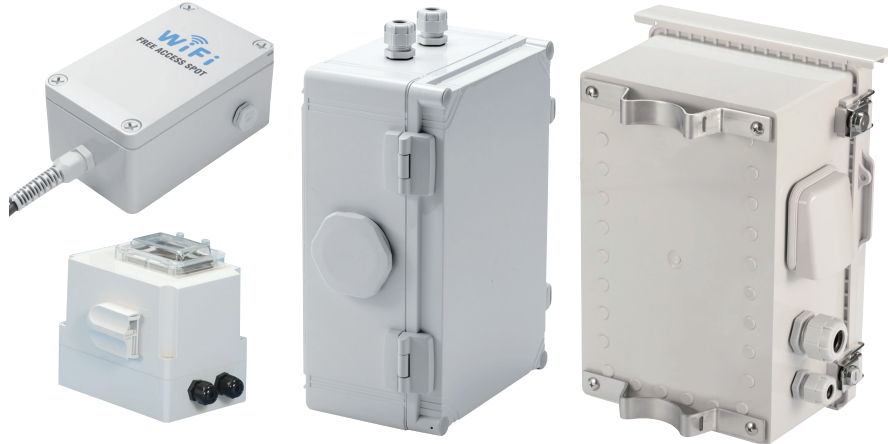
■ Without roof attachment



■ With roof attachment

## Protective Vent • Louver • Ventilation

Use to prevent condensation, as well as for ventilation. (Suitable parts vary depending on environment).



- Protective Vent  
PMF Series  
See PMF pages
- Louver  
V Series  
See V • VF pages
- Ventilation Parts  
VF series  
See V • VF pages

## Weather Resistant Coating

Weather resistant paint coating to protect against color fade and degradation. (ABS Plastic / 1 year exposure)



# WEATHERBILITY / DURABILITY TEST DATA for IP rated boxes

**Weather resistance is the ability of a material to prevent corrosion, loss of material or any sort of deterioration due to prolonged exposure to harsh environmental and weather conditions.**

**The test data for our weather resistance waterproof/dustproof cases are as detailed below.**

## TEST DETAILS • TEST INSTRUMENT

- Tester : Super Xenon Weather Meter SX75 - Suga Test Instruments Co., Ltd.  
(Testing under conditions closest to the spectral distribution of sunlight by utilizing a xenon lamp and filter system.)
- Irradiation Condition : 180 W/m<sup>2</sup> at 300 ~ 400nm
- Black panel humidity : 63±3 °C
- Relative Humidity : 50±10 %
- Cycle conditions : 120 minutes (18 min. irradiation + water spray and 102 min. irradiation)
- Test Time : 500 hours (continuous test)
- Radiation Exposure : 324 MJ/m<sup>2</sup>
- Measurements : Color measurements performed based upon JIS Z 8722 standard, with the results based upon JIS Z8781-4 standard.  
\*Lesser color difference infers better weather resistance.

## TEST DATA

\*Test data results are reference data only; does not reflect actual usage conditions.

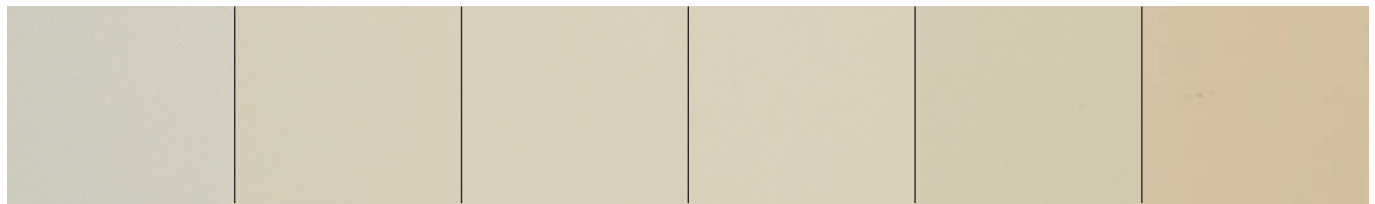
### Before testing (plastic material color)



①                      ②                      ③                      ④                      ⑤                      ⑥



### After 500 hours testing (plastic material color)



No.	Target box / Material	Test time	Color difference ΔEab
①	WP series - G color type ASA material	100 hrs.	0.9
		500 hrs.	3.3
②	SPCP • SPCM series (Body) Glassfiber-filled Polycarbonate material	100 hrs.	2.9
		500 hrs.	7.8
③	BCPC • BCPK series (Top cover) Polycarbonate material	100 hrs.	3.8
		500 hrs.	7.9
④	BCPC • BCPK series (Base) Glassfiber-filled Polycarbonate material	100 hrs.	4.7
		500 hrs.	8.6
⑤	SPCP • SPCM series (Cover) Polycarbonate material	100 hrs.	3.7
		500 hrs.	10.6
⑥	BCAP series ABS material	100 hrs.	3.6
		500 hrs.	10.8

**Better weather resistance**





**BRF** series

**OUTDOOR ROOF**



- Recommended to be used for outdoor environments for protection against rain etc.
- Snap-in easy installation.
- Available for use with BCAP, BCPC, and BCPK series' models except 151509, 151512, 405016, 405020, 406018, and 406023 models.

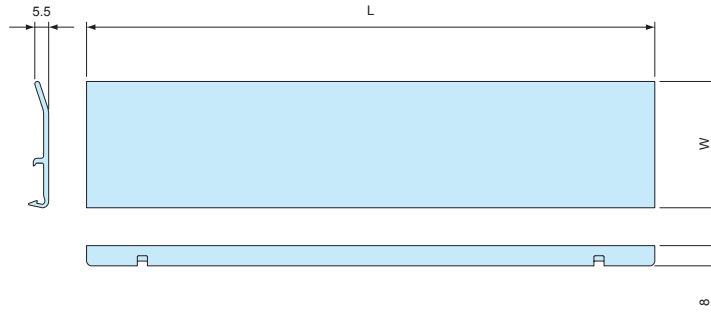
**Color Type**

Color code	Material	Color / Finish	Suitable models
G	PVC	White gray	BCAP
S	PVC	Light gray	BCPC • BCPK

**BRF dimensions**

■ DXF/DWG/PDF drawings available on our website.

Roof for 091207 ~ 353518

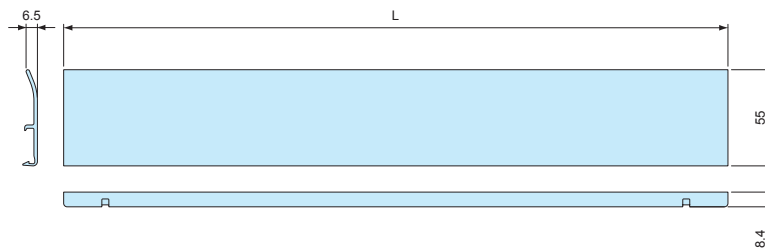


**Product no. / Dimensions**

■ Please suffix the color code at the end of the product number.

Product no.	Suitable models	L	W
BRF- 90□	BCAP • BCPC • BCPK 091207 091208	105	45
BRF-100□	BCAP • BCPC • BCPK 101507 101508	115	45
BRF-110□	BCAP • BCPC • BCPK 112107 112110 112607 112610	125	45
BRF-135□	BCAP • BCPC • BCPK 131508 131808 131810	150	45
BRF-160□	BCAP • BCPC • BCPK 162110 162113 162610 162613	175	45
BRF-170□	BCAP • BCPC • BCPK 172711	185	45
<b>NEW</b> BRF-1722□	BCAP • BCPC • BCPK 172210	180	45
BRF-190□	BCAP • BCPC • BCPK 192810 192814	205	45
BRF-210□	BCAP • BCPC • BCPK 212110 212113	225	45
<b>NEW</b> BRF-200□N	BCAP • BCPC • BCPK 203013□N 203015□N 203018□N	225	50
<b>NEW</b> BRF-250□N	BCAP • BCPC • BCPK 253515□N 253518□N	275	50
BRF-280□	BCAP • BCPC • BCPK 282813 283813	305	50
BRF-300□	BCAP • BCPC • BCPK 303015 303018 304012 304015 304018	325	50
BRF-350□	BCAP • BCPC • BCPK 353515 353518	375	50

Roof for 354512 ~ 354520



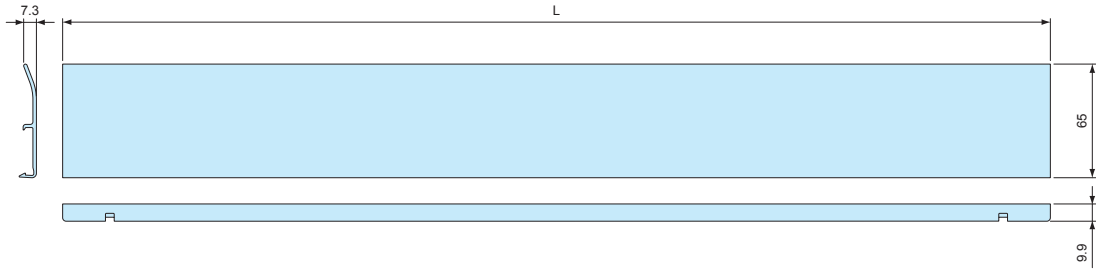
**Product no. / Dimensions**

■ Please suffix the color code at the end of the product number.

Product no.	Suitable models	L
BRF-350L□	BCAP • BCPC • BCPK 354512 354516 354520	380

■ S color type is light gray painted.

Roof for 506018 ~ 608028



**Product no. / Dimensions**

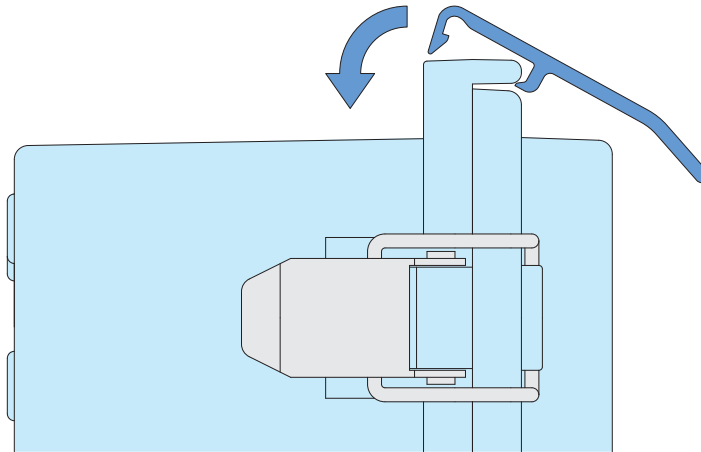
■ Please suffix the color code at the end of the product number.

Product no.	Suitable models	L
BRF-530□	BCAP • BCPC • BCPK 506018 506025 507018 507025	565
BRF-630□	BCAP • BCPC • BCPK 608018 608028	665

■ S color type is light gray painted.

■ **How to install BRF outdoor roof**

Refer to illustration.



**BCC-1**

**DUST PROTECTION CAP**



- Prevent dust and other foreign material entry.
- Protection against corrosion on key hole part in environments such as coastal areas.
- When ordering, please ensure that the quantity required corresponds to the number of latches on your selected model.

**Product no. / Dimensions**

Product no.	Material	Color	Pack of
BCC-1	Silicone	Black	1

**Suitable models**

Suitable models	Required
BCPK192810 ~ 203018, 253515 ~ 405020	2
BCPK406018 ~ 608028	3

■ Not suitable for BCPK 212110, 212113, 172711 and smaller models.