

## NOTICE

### BCAP · BCPC · BCPK · BCAR · BCPR Series Changes to Hinge Design

- Change : Hinge design.

Current (Old) Hinge Design



New Hinge Design



- Affected series / models

BCAP Series		BCPC Series	BCPK Series		BCAR Series		BCPR Series
BCAP112107G	BCAP112107T	BCPC112107S	BCPK112107S	BCPK112107T	BCAR112107G	BCAR112107T	BCPR112107S
BCAP112110G	BCAP112110T	BCPC112110S	BCPK112110S	BCPK112110T	BCAR112110G	BCAR112110T	BCPR112110S
BCAP112607G	BCAP112607T	BCPC112607S	BCPK112607S	BCPK112607T	BCAR112607G	BCAR112607T	BCPR112607S
BCAP112610G	BCAP112610T	BCPC112610S	BCPK112610S	BCPK112610T	BCAR112610G	BCAR112610T	BCPR112610S
BCAP406018G	BCAP406018T	BCPC406018S	BCPK406018S	BCPK406018T	BCAR203013G	BCAR203013T	BCPR203013S
BCAP406023G	BCAP406023T	BCPC406023S	BCPK406023S	BCPK406023T	BCAR203015G	BCAR203015T	BCPR203015S
BCAP203013G	BCAP203013T	BCPC203013S	BCPK203013S	BCPK203013T	BCAR203018G	BCAR203018T	BCPR203018S
BCAP203015G	BCAP203015T	BCPC203015S	BCPK203015S	BCPK203015T	BCAR304012G	BCAR304012T	BCPR304012S
BCAP203018G	BCAP203018T	BCPC203018S	BCPK203018S	BCPK203018T	BCAR304015G	BCAR304015T	BCPR304015S
BCAP303015G	BCAP303015T	BCPC303015S	BCPK303015S		BCAR303015G	BCAR303015T	BCPR303015S
BCAP303018G	BCAP303018T	BCPC303018S	BCPK303018S		BCAR303018G	BCAR303018T	BCPR303018S
BCAP304012G	BCAP304012T	BCPC304012S	BCPK304012S	BCPK304012T	BCAR304018G	BCAR304018T	BCPR304018S
BCAP304015G	BCAP304015T	BCPC304015S	BCPK304015S	BCPK304015T	BCAR354512G	BCAR354512T	BCPR354512S
BCAP304018G	BCAP304018T	BCPC304018S	BCPK304018S	BCPK304018T	BCAR354516G	BCAR354516T	BCPR354516S
BCAP354512G	BCAP354512T	BCPC354512S	BCPK354512S	BCPK354512T	BCAR354520G	BCAR354520T	BCPR354520S
BCAP354516G	BCAP354516T	BCPC354516S	BCPK354516S	BCPK354516T	BCAR507018G		BCPR507018S
BCAP354520G	BCAP354520T	BCPC354520S	BCPK354520S	BCPK354520T	BCAR507025G		BCPR507025S
BCAP507018G		BCPC507018S	BCPK507018S				
BCAP507025G		BCPC507025S	BCPK507025S				

- Yellow highlighted models : Added on May 2, 2022.
- Effective date : Once present inventory has run out / been depleted.
- Note : No changes to item product number, color, finish, or pricing.

## NOTICE

### BCPK series

### Changes to Key Cylinder Rim Material

- Change : Material changes from zinc diecast to Nylon 6 · Fibreglass Composite.
- Purpose : Increased corrosion resistance.

Current (Old) Material



Rim Material : Zinc Diecast

New Material



Rim Material : Nylon 6 · Fibreglass Composite

- Affected models :

Product no.	Product no.	Product no.	Product no.
BCPK192810S	BCPK353518S	BCPK192810T	BCPK353518T
BCPK192814S	BCPK354512S	BCPK192814T	BCPK354512T
BCPK203013S	BCPK354516S	BCPK203013T	BCPK354516T
BCPK203015S	BCPK354520S	BCPK203015T	BCPK354520T
BCPK203018S	BCPK405016S	BCPK203018T	BCPK405016T
BCPK253515S	BCPK405020S	BCPK253515T	BCPK405020T
BCPK253518S	BCPK406018S	BCPK253518T	BCPK406018T
BCPK282813S	BCPK406023S	BCPK282813T	BCPK406023T
BCPK283813S	BCPK506018S	BCPK283813T	BCPK506018T
BCPK303015S	BCPK506025S	BCPK303015T	BCPK506025T
BCPK303018S	BCPK507018S	BCPK303018T	
BCPK304012S	BCPK507025S	BCPK304012T	
BCPK304015S	BCPK608018S	BCPK304015T	
BCPK304018S	BCPK608028S	BCPK304018T	
BCPK353515S		BCPK353515T	

- Effective date : Once present inventory has run out / been depleted.
- Note : No changes to item product number, color, finish, or pricing.

# IP65 LATCH-HINGED PLASTIC BOX



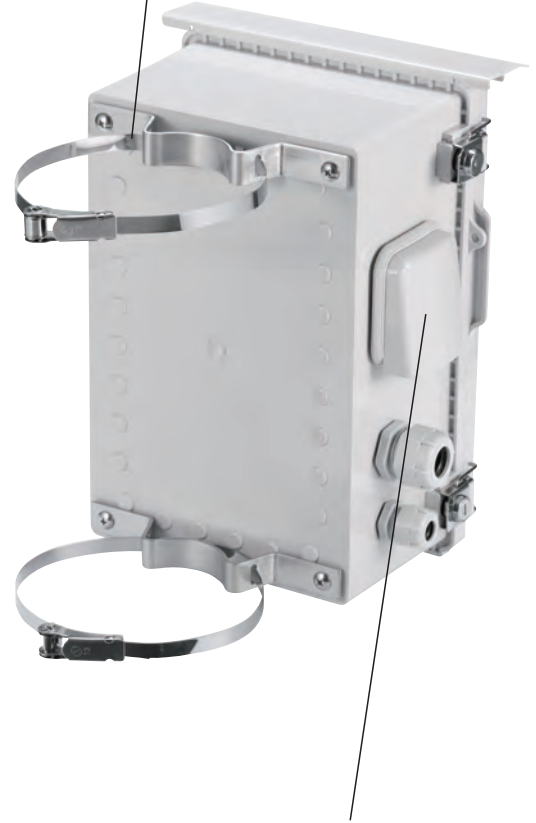
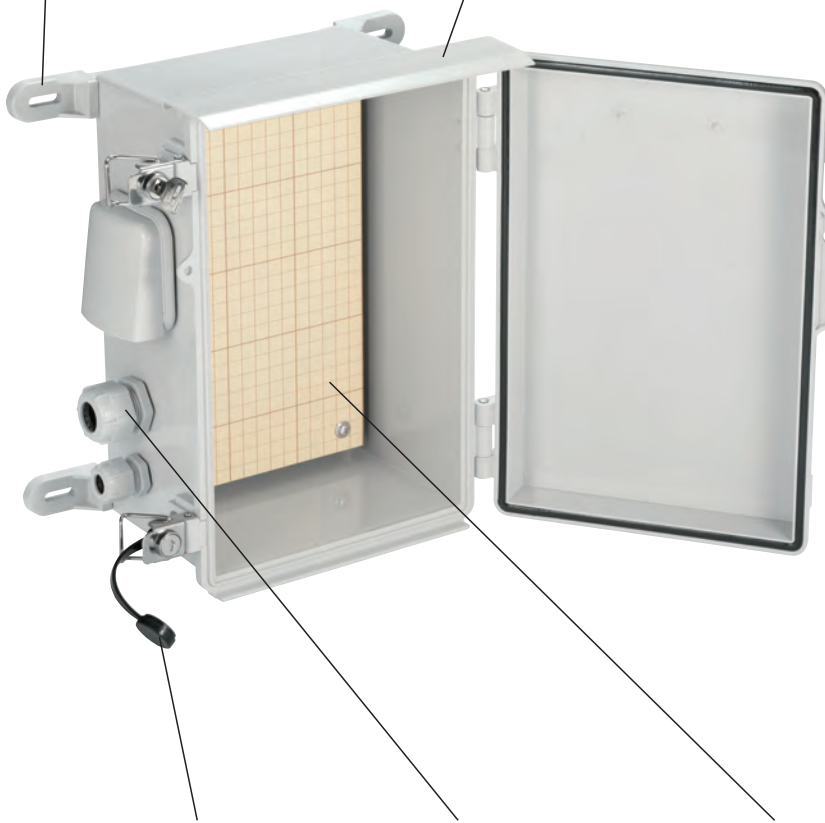
Stainless steel and plastic mounting brackets are available.  
See page 320



BCAR • BCPR series comes with an attachable BRF series outdoor roof.  
See page 309 ~ 310 and 315 ~ 316



Pole mounting bracket for pole installation  
See page 321 ~ 324



Dust protection cap (for lock/key type)  
See page 316



Cable gland  
For waterproofing enclosure openings for cables and wires  
See page 333 ~ 340



Mounting plate  
3 types of mounting plates are available (plastic / steel / wood)  
See page 317 ~ 319



Ventilation cover  
For heat dissipation and prevention of condensation build-up  
See page 328

# APPLICATION EXAMPLE

Universal plastic enclosure series suitable for a wide range of applications such as FA/control, electrical switchboard, network communication and so on.

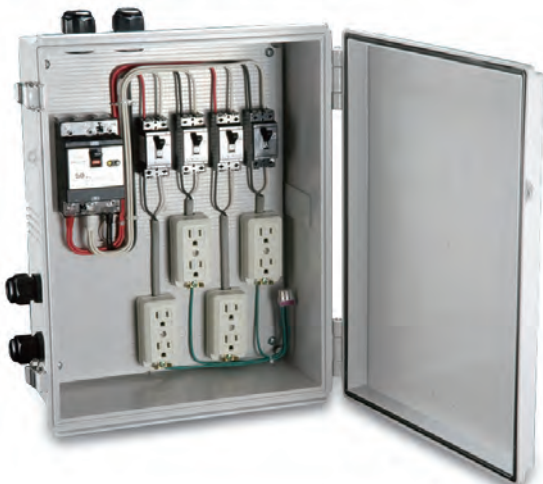
## Outdoor WiFi Spot



## Solar Power Junction Box

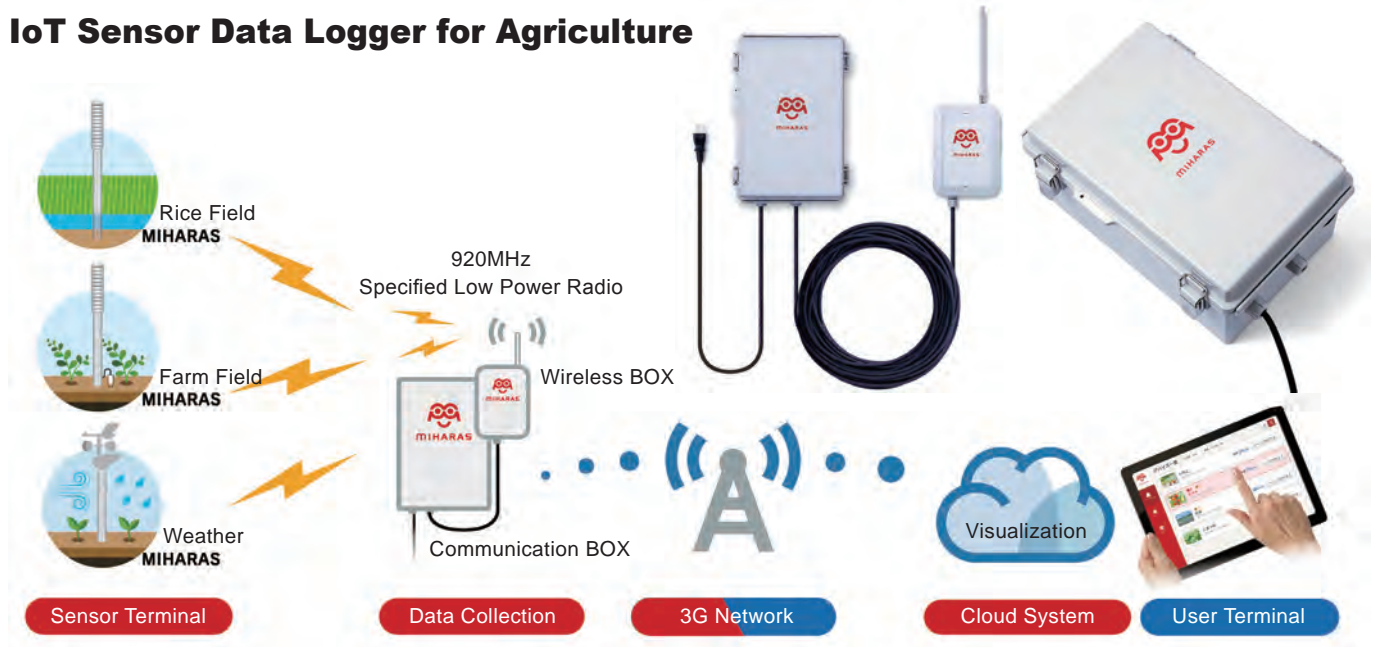


## Power Switchboard Box

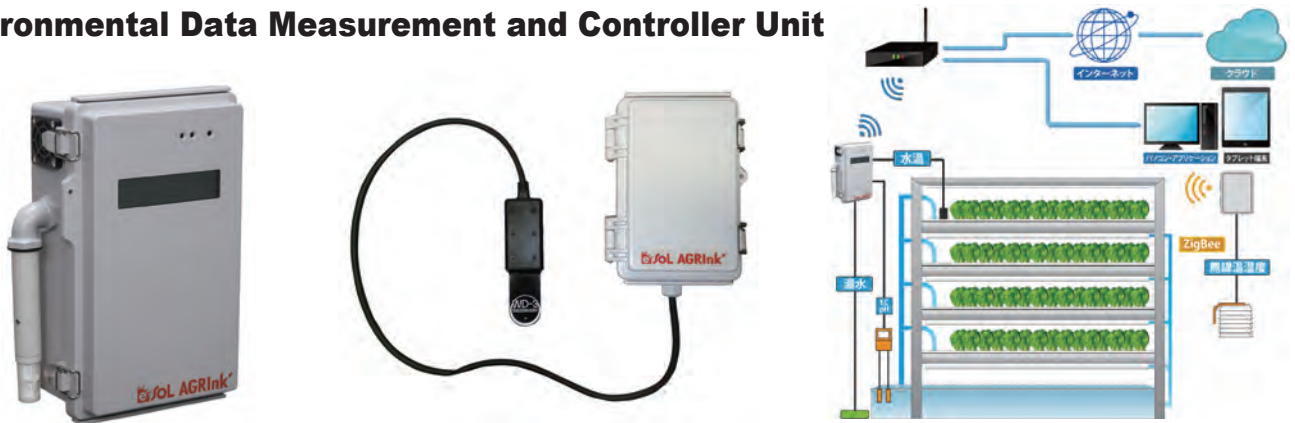




## IoT Sensor Data Logger for Agriculture



## Environmental Data Measurement and Controller Unit



## "SenSu" Communication Unit with Sensor



## Network Sensor System for Agriculture



## Wildlife Damage Monitoring System



### Valve Controller



### Building Surveillance Unit



### Digital Pressure Gauge



### Radiation Monitor



### Power Saver for Air Conditioning



### Anemometer



### Water Gauge



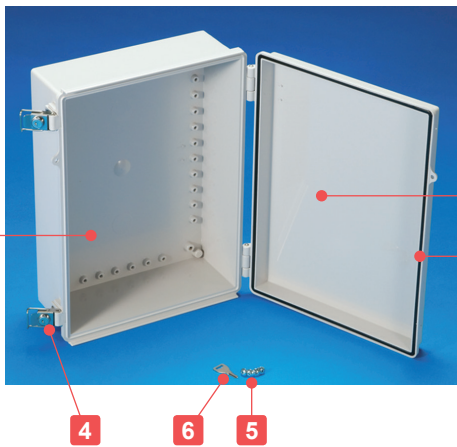
### Monitoring Camera







Transparent cover type is available as BTO (Built-to-order) with an estimated lead-time of around 2 months. See website for more details.



Technical Data
Protection class : IP65
Operating temperature: -20°C ~ +75°C

\*Lock types vary according to box size.



Box size  
BCPK091207 ~ 172711  
BCPK212110, 212113

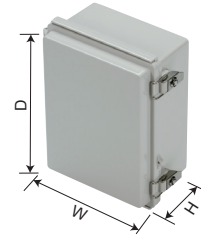
Box size  
BCPK192810 ~ 203018  
BCPK253515 ~ 608028

- Lockable enclosure best used for tamper prevention in FA, control box, and network communication fields.
- BCPK polycarbonate box is resistant against heat and flames. 50 different sizes available.

**Components**

No.	Part name	Pcs	Material	Color / Finish
1	Top cover	1	Polycarbonate UL94V-0	Light gray
2	Base	1	Glass fiber filled polycarbonate UL94V-0	Light gray
3	Gasket	1	Polyurethane	Black
4	Latch	1 ~ 3	Stainless steel	Unfinished
5	Screw for mounting plate	2 ~ 8	Steel	Trivalent chromate
6	Key	1 ~ 2	Diecast zinc • Brass	Chrome plated • Nickel plated

- Stainless steel mounting brackets are included together with the following models : 506018, 506025, 507018, 507025, 608018, and 608028.
- Quantity of keys provided vary by the number of locks present.



Product no. / Dimensions

Product no.	W	D	H	Weight (g)
BCPK091207S	90	120	70	242
BCPK091208S	90	120	85	264
BCPK101507S	100	150	70	339
BCPK101508S	100	150	85	360
BCPK112107S	110	210	75	437
BCPK112110S	110	210	100	501
BCPK112607S	110	260	75	520
BCPK112610S	110	260	100.5	585
BCPK131508S	135	155	85	430
BCPK131808S	135	185	85.5	474
BCPK131810S	135	185	100.5	471
BCPK151509S	150	150	90	419
BCPK151512S	150	150	120.5	507
BCPK162110S	160	210	100	563
BCPK162113S	160	210	130	630
BCPK162610S	160	260	100	728
BCPK162613S	160	260	130	805
<b>NEW</b> BCPK172210S	170	220	105	664
BCPK172711S	170	270	110.5	771
BCPK192810S	190	280	100.5	875
BCPK192814S	190	280	141	1,065
<b>NEW</b> BCPK203013SN	200	300	130	1,098
<b>NEW</b> BCPK203015SN	200	300	150	1,179
<b>NEW</b> BCPK203018SN	200	300	180	1,324
BCPK212110S	210	210	100	743
BCPK212113S	210	210	130	822
<b>NEW</b> BCPK253515SN	250	350	150	1,513
<b>NEW</b> BCPK253518SN	250	350	180	1,676
BCPK282813S	280	280	130.5	1,391
BCPK283813S	280	380	130	1,811
BCPK303015S	300	300	151	1,670
BCPK303018S	300	300	181	1,782
BCPK304012S	300	400	120	1,858
BCPK304015S	300	400	150	1,912
BCPK304018S	300	400	181	2,083
BCPK353515S	350	350	150	2,067
BCPK353518S	350	350	181	2,175
BCPK354512S	350	450	120	2,442
BCPK354516S	350	450	160	2,863
BCPK354520S	350	450	201	3,156
BCPK405016S	400	500	160	3,149
BCPK405020S	400	500	201	3,725
BCPK406018S	400	600	181	4,159
BCPK406023S	400	600	231	4,639
BCPK506018S	530	630	185	5,339
BCPK506025S	530	630	255	7,136
BCPK507018S	530	730	188	7,470
BCPK507025S	530	730	258	8,260
BCPK608018S	630	830	188	9,880
BCPK608028S	630	830	288	11,610

■ Refer to page 311 ~ 314 for detailed dimensions.

Accessories (Optional parts)



Dust protection cap BCC series  
See page 316



Mounting plate BMP series  
See page 317 ~ 319



Mounting bracket CK • BFL series  
See page 320



Cable gland  
See page 333 ~ 340



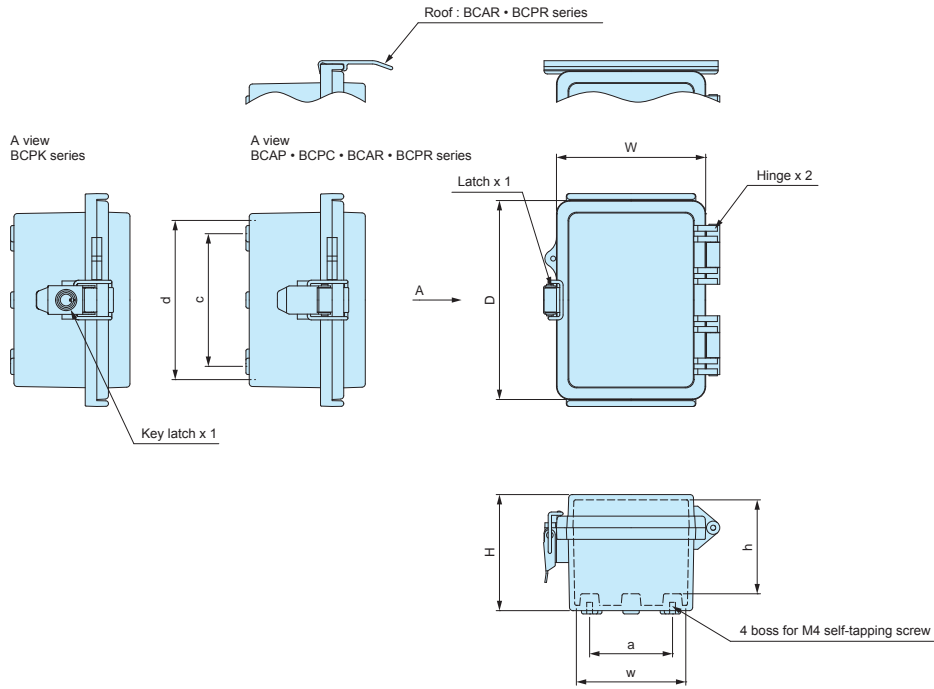
Ventilation parts  
See page 325 ~ 328



**BCAP • BCPC • BCPK • BCAR • BCPR dimensions**

■ DXF/DWG/PDF drawings available on our website.

091207 • 091208

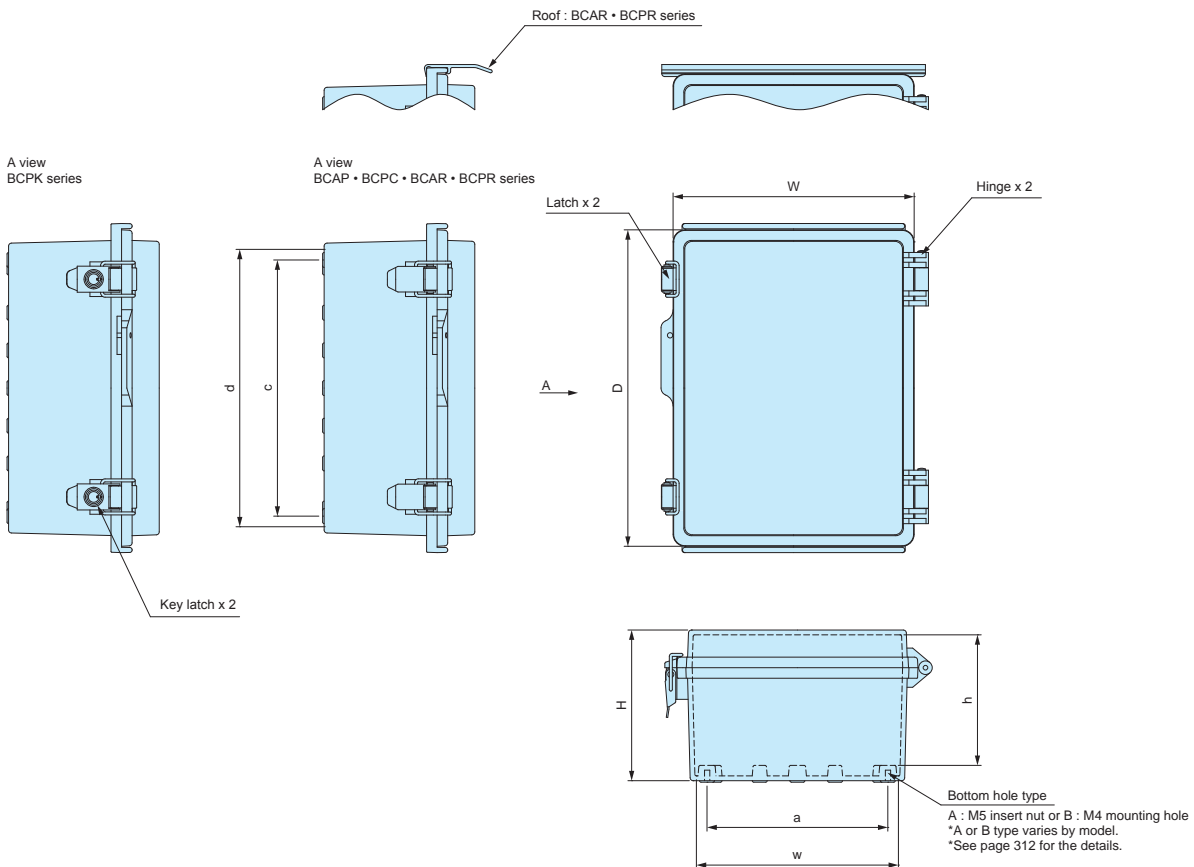


■ K = BCPK series, R = BCAR • BCPR series.

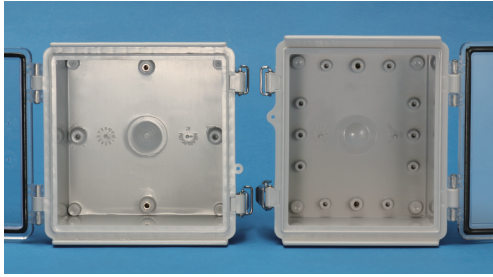
Product no.	W	D	H	Available range			Bottom hole pitch	
				w	d	h	a	c
BCAP • R, BCPC • K • R091207	90	120	70	66	96	56.5	50	80
BCAP • R, BCPC • K • R091208	90	120	85	66	96	71.5	50	80

101507 ~ 405020

※ Not available for BCAR • BCPR 151509, 151512, 405016, and 405020 models.



# APPLICATION EXAMPLE



■ Number of bosses inside vary according to box size.  
Refer to DXF/DWG/PDF drawings for more details.



## Surveillance Video Data Cloud Router

Product by LIVELOCK TECHNOLOGIES (Japan)

■ K = BCPK series, R = BCAR • BCPR series.

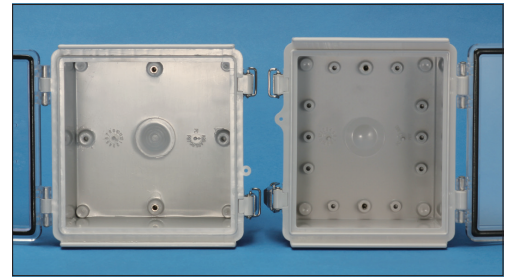
Product no.	W	D	H	Available range			Bottom hole pitch		Bottom hole type
				w	d	h	a	c	
BCAP • R, BCPC • K • R101507	100	150	70	76	126	56.5	60	110	B
BCAP • R, BCPC • K • R101508	100	150	85	75.5	125.5	71.5	60	110	B
BCAP • R, BCPC • K • R112107	110	210	75	85.8	185.8	61.5	70	170	B
BCAP • R, BCPC • K • R112110	110	210	100	84.9	184.9	86.5	70	170	B
BCAP • R, BCPC • K • R112607	110	260	75	85.8	235.8	61.5	70	220	B
BCAP • R, BCPC • K • R112610	110	260	100.5	85.1	234.9	87.2	70	220	B
BCAP • R, BCPC • K • R131508	135	155	85	110.5	130.5	71.5	95	115	B
BCAP • R, BCPC • K • R131808	135	185	85.5	110.4	160.4	72.2	95	145	B
BCAP • R, BCPC • K • R131810	135	185	100.5	110.4	160.4	87.1	95	145	B
BCAP, BCPC • K 151509	150	150	90	125.7	125.7	75.5	120	120	B
BCAP, BCPC • K 151512	150	150	120.5	124	124	106	117	117	B
BCAP • R, BCPC • K • R162110	160	210	100	134	184	86.6	120	170	B
BCAP • R, BCPC • K • R162113	160	210	130	134	184	116.5	120	170	B
BCAP • R, BCPC • K • R162610	160	260	100	135.1	235.1	86.6	120	220	B
BCAP • R, BCPC • K • R162613	160	260	130	134	234	116.6	120	220	B
BCAP • R, BCPC • K • R172210	170	220	105	144.9	194.9	90.8	132	182	B
BCAP • R, BCPC • K • R172711	170	270	110.5	144.9	244.9	96.1	132	232	B
BCAP • R, BCPC • K • R192810	190	280	100.5	165.3	255.3	84.1	148	238	A
BCAP • R, BCPC • K • R192814	190	280	141	164.2	254.2	124.6	148	238	A
BCAP • R, BCPC • K • R203013□N	200	300	130	173.2	273.2	114	152	252	A
BCAP • R, BCPC • K • R203015□N	200	300	150	173.5	273.5	133.8	152	252	A
BCAP • R, BCPC • K • R203018□N	200	300	180	172.5	272.5	163.8	152	252	A
BCAP • R, BCPC • K • R212110	210	210	100	185.1	185.1	86.6	170	170	B
BCAP • R, BCPC • K • R212113	210	210	130	184	184	116.6	170	170	B
BCAP • R, BCPC • K • R253515□N	250	350	150	222.1	322.3	134	206	306	A
BCAP • R, BCPC • K • R253518□N	250	350	180	222.5	322.5	163.8	206	306	A
BCAP • R, BCPC • K • R282813	280	280	130.5	254	254	113.6	238	238	A
BCAP • R, BCPC • K • R283813	280	380	130	254	354	113.6	238	338	A
BCAP • R, BCPC • K • R303015	300	300	151	273	273	134.3	256	256	A
BCAP • R, BCPC • K • R303018	300	300	181	272.5	272.5	164.3	256	256	A
BCAP • R, BCPC • K • R304012	300	400	120	274.5	374.5	103.6	252	352	A
BCAP • R, BCPC • K • R304015	300	400	150	273.5	373.5	133.6	252	352	A
BCAP • R, BCPC • K • R304018	300	400	181	272.5	372.5	164.6	252	352	A
BCAP • R, BCPC • K • R353515	350	350	150	323.6	323.6	133.6	302	302	A
BCAP • R, BCPC • K • R353518	350	350	181	322.5	322.5	164.6	302	302	A
BCAP • R, BCPC • K • R354512	350	450	120	316.7	416.7	103.3	302	402	A
BCAP • R, BCPC • K • R354516	350	450	160	308.7	414.7	142.6	302	402	A
BCAP • R, BCPC • K • R354520	350	450	201	309.3	414.8	183.6	302	402	A
BCAP, BCPC • K 405016	400	500	160	360.4	466.6	144	352	452	A
BCAP, BCPC • K 405020	400	500	201	359.4	465.5	184	352.5	452.5	A

**BCAP • BCPC • BCPK • BCAR • BCPR dimensions.**

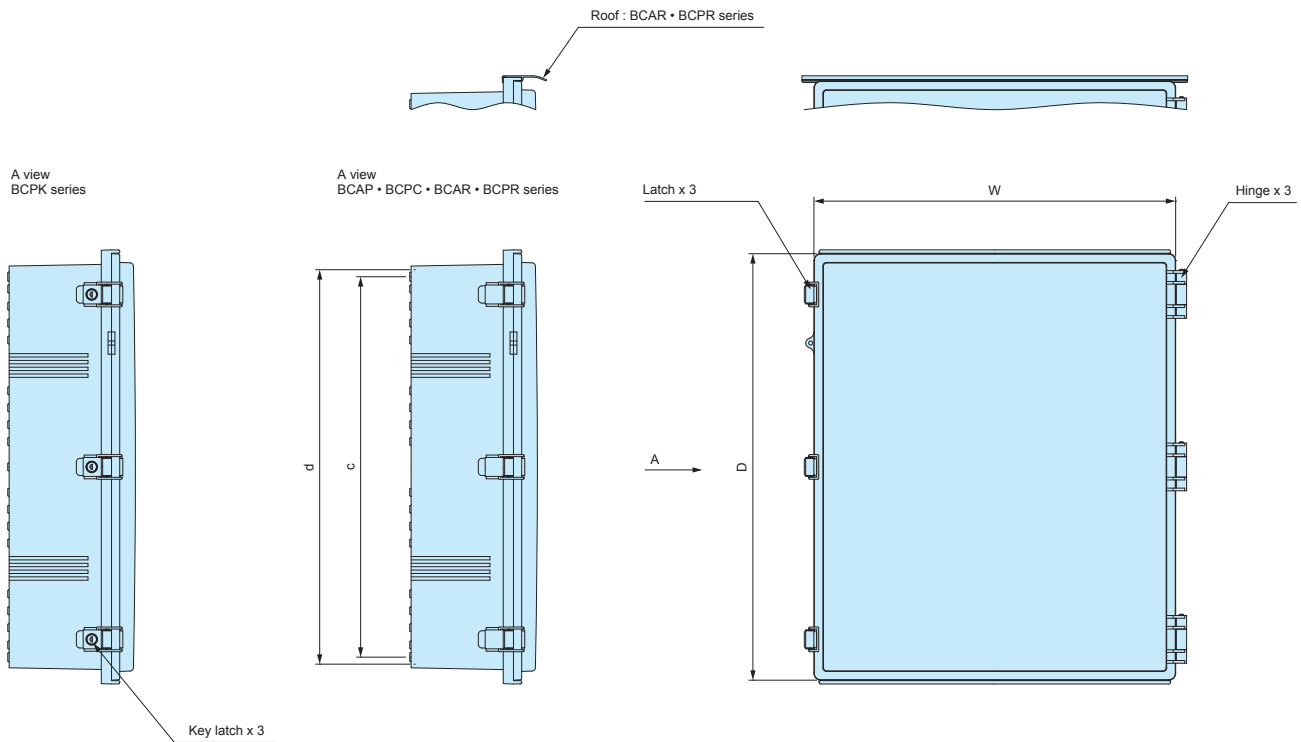
■ DXF/DWG/PDF drawings available on our website.

406018 ~ 507025

※ Not available for BCAR • BCPR 406018 and 406023 models.



■ Number of bosses inside vary according to box size. Refer to DXF/DWG/PDF drawings for more details.

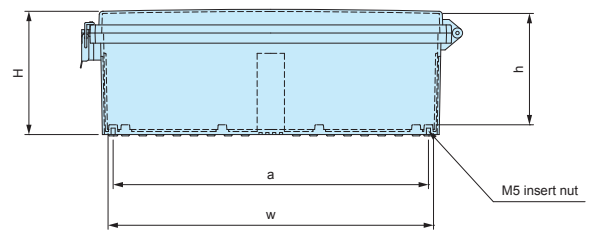


**Attention when locking the latch**

1. Close latches on both ends first.
2. Close center latch next.

※ Closing center latch first may cause a non-watertight seal.

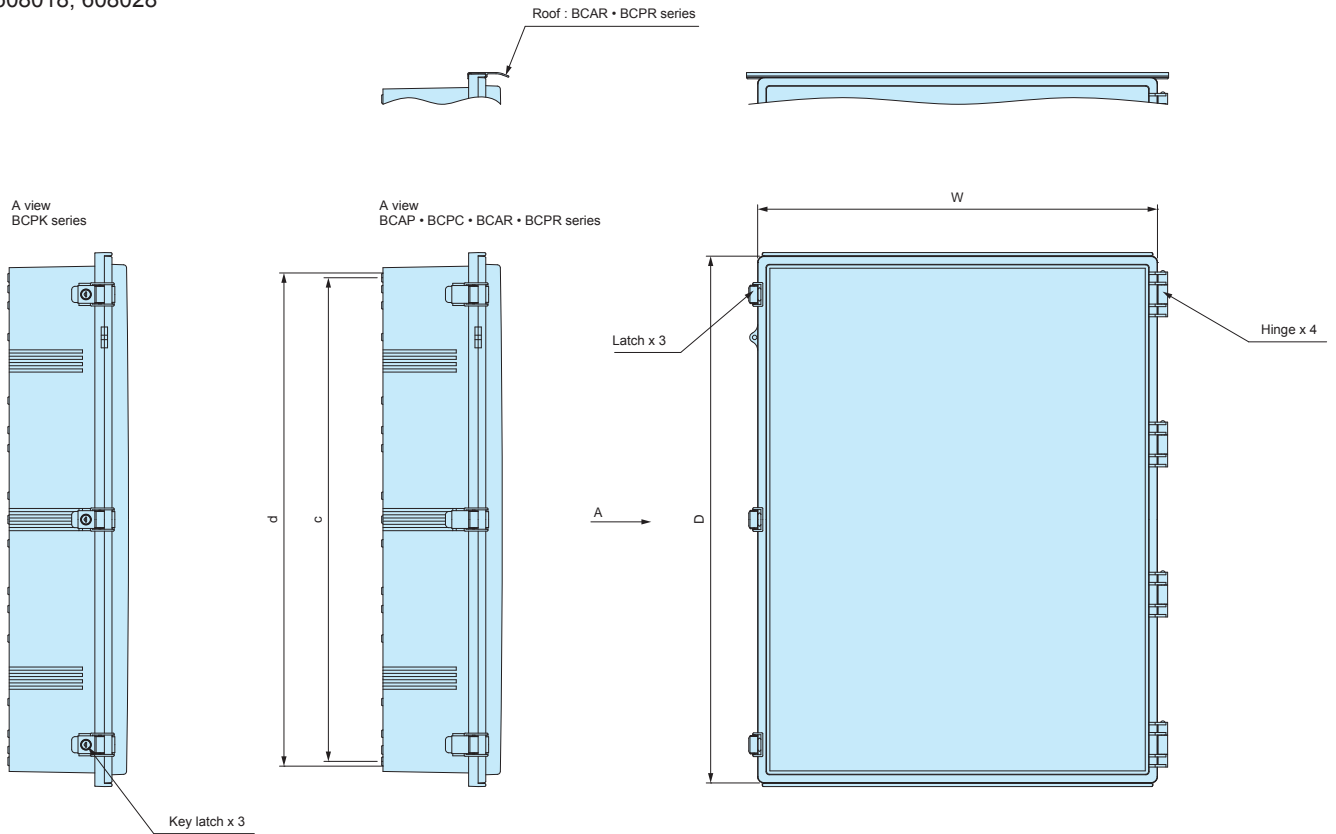
**Center latch must be closed last!**



■ K = BCPK series, R = BCAR • BCPR series.

Product no.	W	D	H	Available range			Bottom hole pitch	
				w	d	h	a	c
BCAP, BCPC • K 406018	400	600	181	358.6	565.9	163.8	352.5	552.5
BCAP, BCPC • K 406023	400	600	231	356.9	564.1	213.8	352	552.5
BCAP, R, BCPC • K • R506018	530	630	185	476.8	576.8	163.6	462	562
BCAP, R, BCPC • K • R506025	530	630	255	474.6	574.6	233.6	462	562
BCAP, R, BCPC • K • R507018	530	730	188	477	677	166.1	462	662
BCAP, R, BCPC • K • R507025	530	730	258	475	676.2	236	462	662

608018, 608028

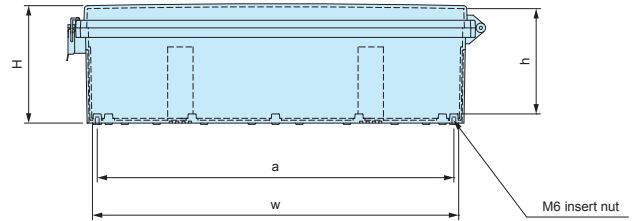


**Attention when locking the latch**

1. Close latches on both ends first.
2. Close center latch next.

※ Closing center latch first may cause a non-watertight seal.

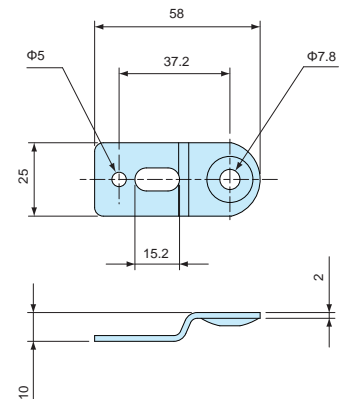
**Center latch must be closed last!**



■ K = BCPK series, R = BCAR • BCPR series.

Product no.	W	D	H	Available range			Bottom hole pitch	
				w	d	h	a	c
BCAP • R, BCPC • K • R608018	630	830	188	575	777	165.6	562	762
BCAP • R, BCPC • K • R608028	630	830	288	573.5	773.5	265.8	562	762

**Included stainless steel mounting bracket for 506018, 506025, 507018, 507025, 608018, and 608028**



**Components**

Part name	Pcs	Material	Finish
Mounting bracket	6	Stainless steel	Unfinished
Screw	6	Steel	Trivalent chromate





**BRF** series

**OUTDOOR ROOF**



- Recommended to be used for outdoor environments for protection against rain etc.
- Snap-in easy installation.
- Available for use with BCAP, BCPC, and BCPK series' models except 151509, 151512, 405016, 405020, 406018, and 406023 models.

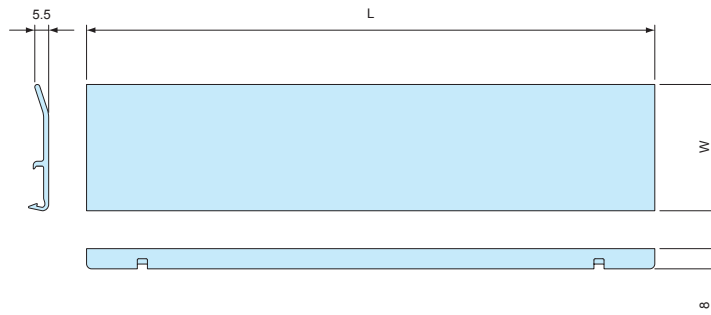
**Color Type**

Color code	Material	Color / Finish	Suitable models
G	PVC	White gray	BCAP
S	PVC	Light gray	BCPC • BCPK

**BRF dimensions**

Roof for 091207 ~ 353518

■ DXF/DWG/PDF drawings available on our website.

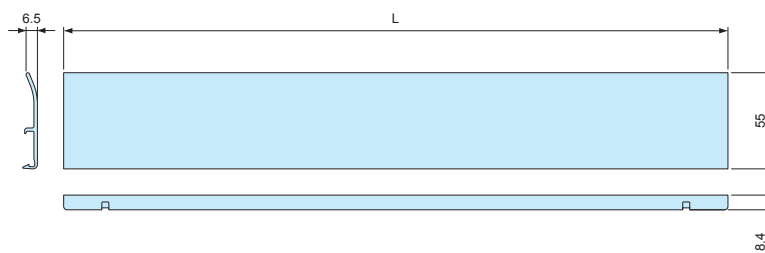


**Product no. / Dimensions**

■ Please suffix the color code at the end of the product number.

Product no.	Suitable models	L	W
BRF- 90□	BCAP • BCPC • BCPK 091207 091208	105	45
BRF-100□	BCAP • BCPC • BCPK 101507 101508	115	45
BRF-110□	BCAP • BCPC • BCPK 112107 112110 112607 112610	125	45
BRF-135□	BCAP • BCPC • BCPK 131508 131808 131810	150	45
BRF-160□	BCAP • BCPC • BCPK 162110 162113 162610 162613	175	45
BRF-170□	BCAP • BCPC • BCPK 172711	185	45
<b>NEW</b> BRF-1722□	BCAP • BCPC • BCPK 172210	180	45
BRF-190□	BCAP • BCPC • BCPK 192810 192814	205	45
BRF-210□	BCAP • BCPC • BCPK 212110 212113	225	45
<b>NEW</b> BRF-200□N	BCAP • BCPC • BCPK 203013□N 203015□N 203018□N	225	50
<b>NEW</b> BRF-250□N	BCAP • BCPC • BCPK 253515□N 253518□N	275	50
BRF-280□	BCAP • BCPC • BCPK 282813 283813	305	50
BRF-300□	BCAP • BCPC • BCPK 303015 303018 304012 304015 304018	325	50
BRF-350□	BCAP • BCPC • BCPK 353515 353518	375	50

Roof for 354512 ~ 354520



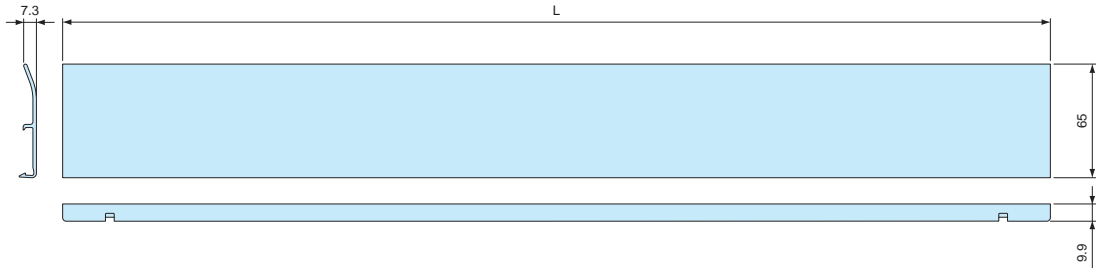
**Product no. / Dimensions**

■ Please suffix the color code at the end of the product number.

Product no.	Suitable models	L
BRF-350L□	BCAP • BCPC • BCPK 354512 354516 354520	380

■ S color type is light gray painted.

Roof for 506018 ~ 608028



**Product no. / Dimensions**

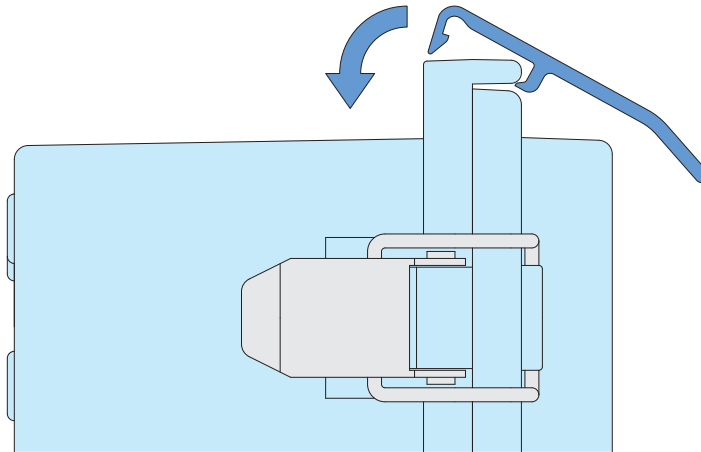
■ Please suffix the color code at the end of the product number.

Product no.	Suitable models	L
BRF-530□	BCAP • BCPC • BCPK 506018 506025 507018 507025	565
BRF-630□	BCAP • BCPC • BCPK 608018 608028	665

■ S color type is light gray painted.

■ **How to install BRF outdoor roof**

Refer to illustration.



**BCC-1**

**DUST PROTECTION CAP**



- Prevent dust and other foreign material entry.
- Protection against corrosion on key hole part in environments such as coastal areas.
- When ordering, please ensure that the quantity required corresponds to the number of latches on your selected model.

**Product no. / Dimensions**

Product no.	Material	Color	Pack of
BCC-1	Silicone	Black	1

**Suitable models**

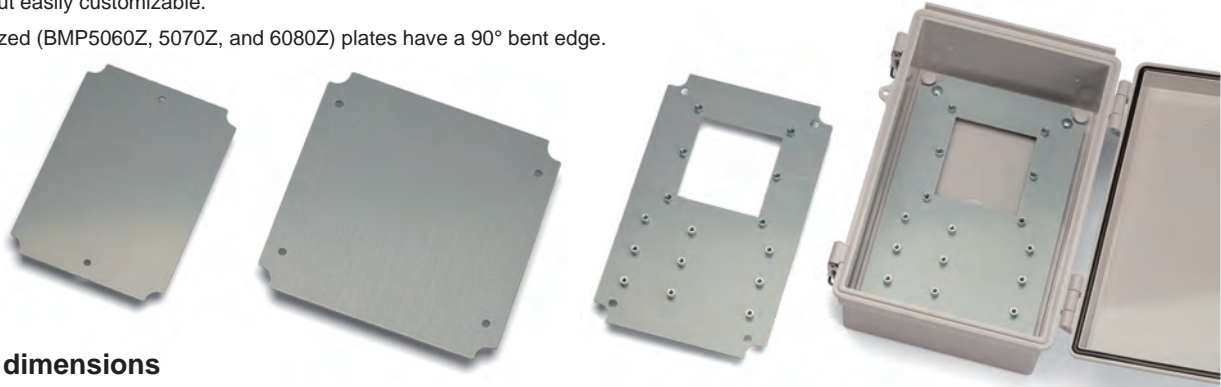
Suitable models	Required
BCPK192810 ~ 203018, 253515 ~ 405020	2
BCPK406018 ~ 608028	3

■ Not suitable for BCPK 212110, 212113, 172711 and smaller models.

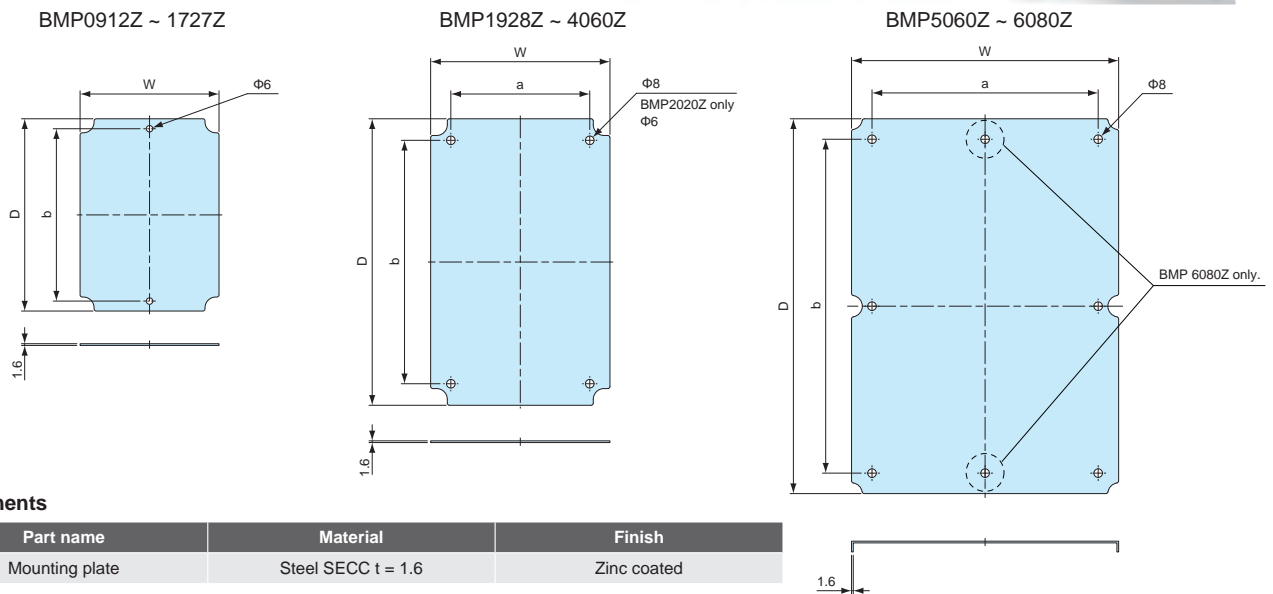
BMP-Z series

STEEL MOUNTING PLATE

- Customization services (machining, punch press or clinching nut insertion) are available. See website for more details.
- Tough but easily customizable.
- Large sized (BMP5060Z, 5070Z, and 6080Z) plates have a 90° bent edge.



BMP-Z dimensions



Components

Part name	Material	Finish
Mounting plate	Steel SECC t = 1.6	Zinc coated

Product no. / Dimensions

■ DXF/DWG/PDF drawings available on our website.

Product no.	W	D	a	b	Suitable models	Weight (g)
BMP0912Z	58	88	-	69	BCAP • R, BCPC • K • R 091207, 091208	53
BMP0813Z	68	118	-	100	BCAP • R, BCPC • K • R 101507, 101508	87
BMP1121Z	77	177	-	158	BCAP • R, BCPC • K • R 112107, 112110	159
BMP1126Z	77	227	-	208	BCAP • R, BCPC • K • R 112607, 112610	210
BMP1315Z	102	122	-	110	BCAP • R, BCPC • K • R 131508	141
BMP1217Z	102	152	-	140	BCAP • R, BCPC • K • R 131808, 131810	180
BMP1515Z	121	121	-	110	BCAP BCPC • K 151509, 151512	172
BMP1520Z	126	176	-	160	BCAP • R, BCPC • K • R 162110, 162113	262
BMP1525Z	127	227	-	210	BCAP • R, BCPC • K • R 162610, 162613	346
BMP1722Z	137	187	-	160	BCAP • R, BCPC • K • R 172210	308
BMP1727Z	137	237	-	210	BCAP • R, BCPC • K • R 172711	391
BMP1928Z	157	247	120	210	BCAP • R, BCPC • K • R 192810, 192814	462.5
BMP2020Z	176	176	120	150	BCAP • R, BCPC • K • R 212110, 212113	371
BMP2030Z	165	265	129	226	BCAP • R, BCPC • K • R 203013, 203015, 203018	519
BMP2535Z	215	315	180	270	BCAP • R, BCPC • K • R 253515, 253518	816
BMP2828Z	246	246	210	210	BCAP • R, BCPC • K • R 282813	727.5
BMP2838Z	246	346	210	310	BCAP • R, BCPC • K • R 283813	1,018
BMP3030Z	264	264	219	219	BCAP • R, BCPC • K • R 303015, 303018	826.5
BMP3040Z	265	365	228	325	BCAP • R, BCPC • K • R 304012, 304015, 304018	1,154
BMP3535Z	315	315	270	270	BCAP • R, BCPC • K • R 353515, 353518	1,196.5
BMP3545Z	301	401	274	365	BCAP • R, BCPC • K • R 354512, 354516, 354520	1,443
BMP4050Z	354	454	328	428	BCAP BCPC • K 405016, 405020	1,998
BMP4060Z	354	551	328	525	BCAP BCPC • K 406018, 406023	2,328
BMP5060Z	474	574	426	526	BCAP • R, BCPC • K • R 506018, 506025	3,286
BMP5070Z	472	672	426	626	BCAP • R, BCPC • K • R 507018, 507025	3,864
BMP6080Z	565	765	526	726	BCAP • R, BCPC • K • R 608018, 608028	5,288.5



**TAKACHI ELECTRONICS ENCLOSURE CO., LTD.**

3-21-16 Higashi-ryoke, Kawaguchi-shi, Saitama, 332-0003 JAPAN

Tel. +81-48-222-5409 / Fax. +81-48-222-7652

November 16th, 2022

## **NOTICE**

### **BMP-P series Plastic Mounting Plate Changes to Dimensions and Shape**

■ Affected series / models

BMP3040P

■ Change : Dimensions and Shape (see separate sheet for the details).

■ Functionality: No changes to functionality, color, finish, or material.

■ Purpose: To ensure consistent quality throughout via streamlined supply chain and materials.

■ Series / Model: No changes to Series, Product number, or pricing.

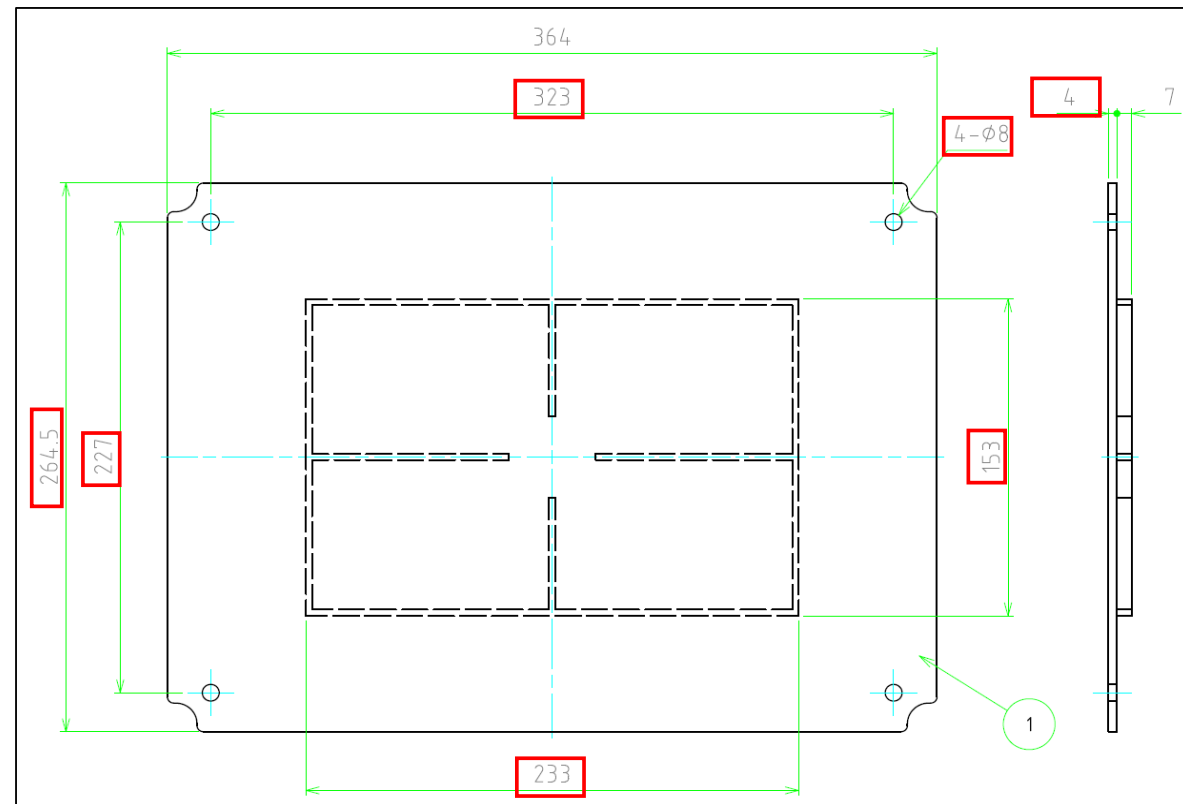
Thank you for your understanding.

For more information, kindly contact us at: [sales@takachi-el.co.jp](mailto:sales@takachi-el.co.jp)

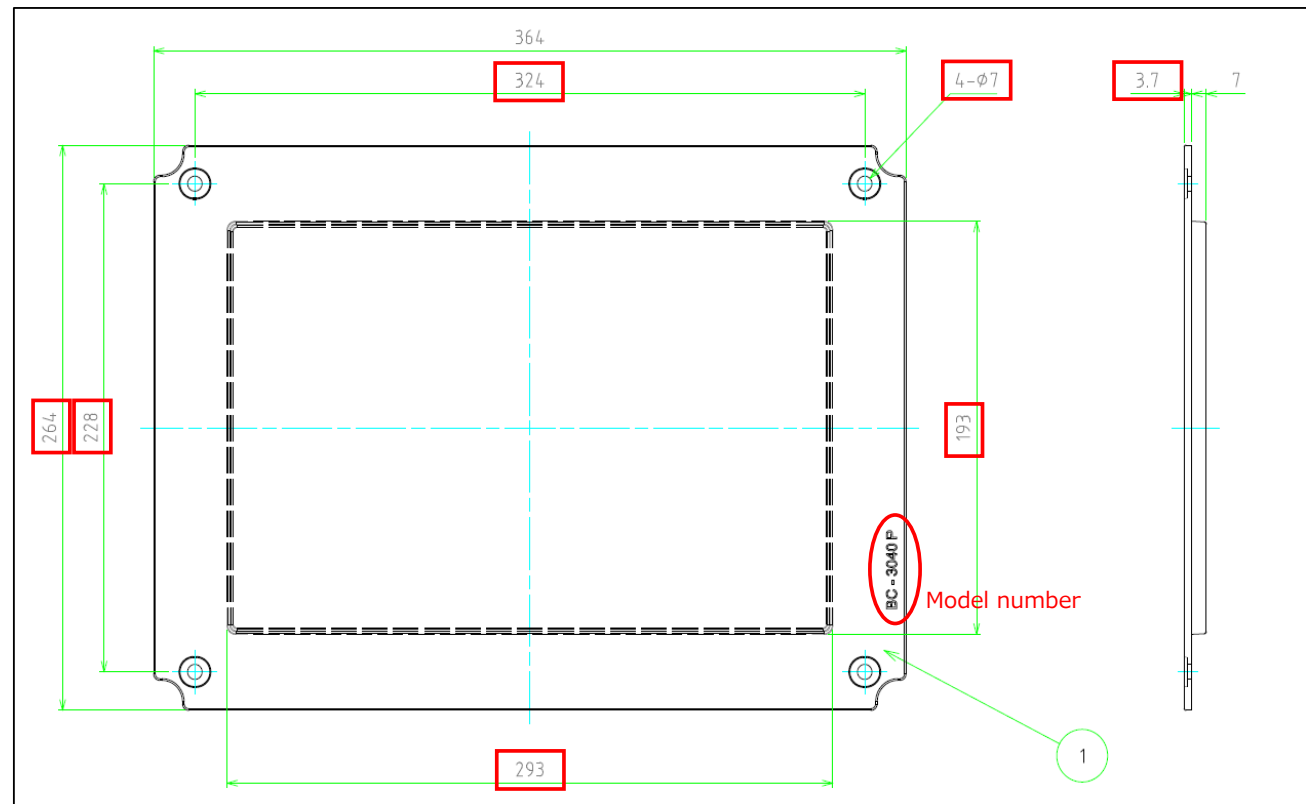


Details of the changed points.

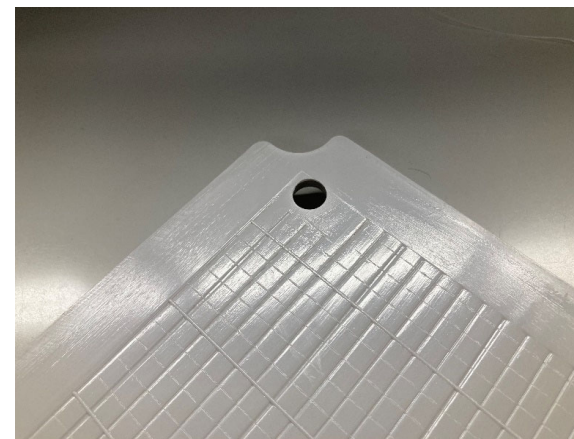
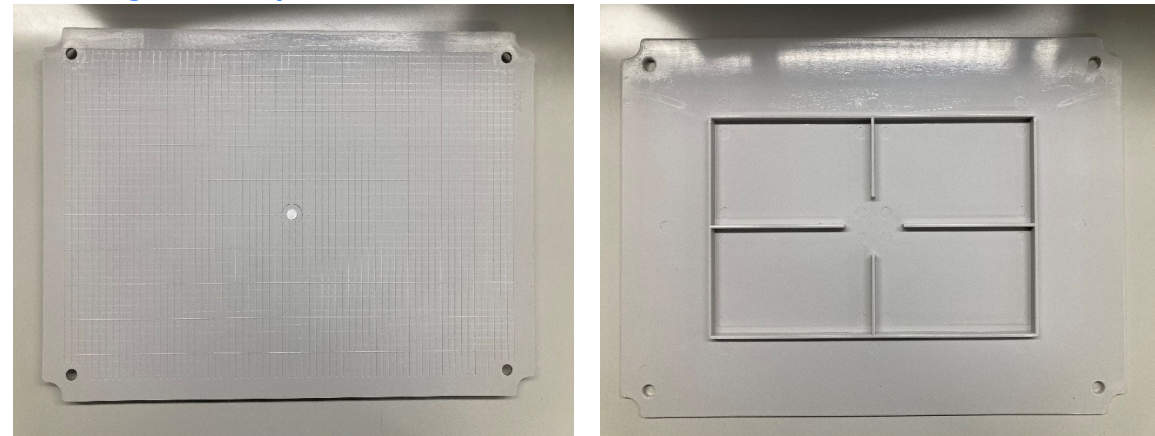
Old Dimensions



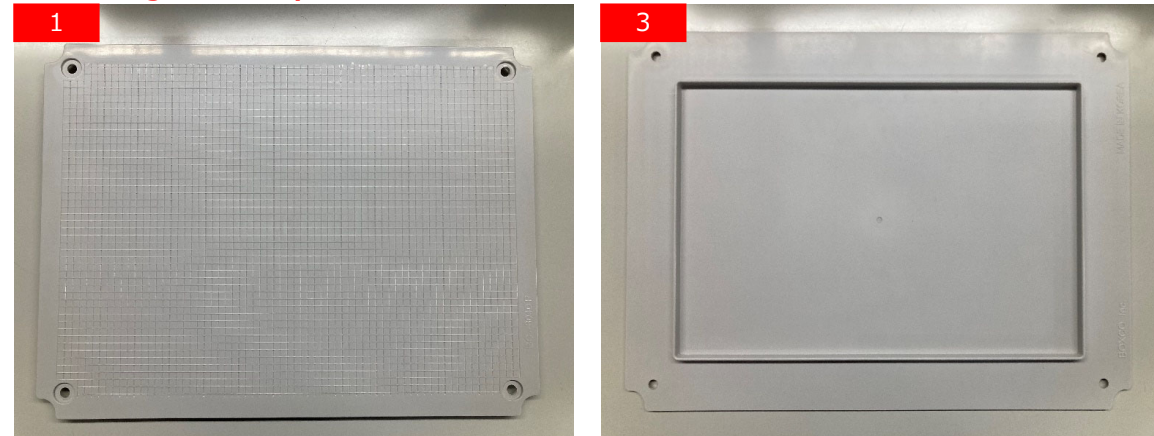
New Dimensions



Old Design and Shape



New Design and Shape



- 1** Injection gate moved to back side.
- 2** Changed to Counterbored shaped holes.
- 3** Size and shape of the rib on back side are changed.



**TAKACHI ELECTRONICS ENCLOSURE CO., LTD.**

3-21-16 Higashi-ryoke, Kawaguchi-shi, Saitama, 332-0003 JAPAN

Tel. +81-48-222-5409 / Fax. +81-48-222-7652

March 1, 2021

## **NOTICE**

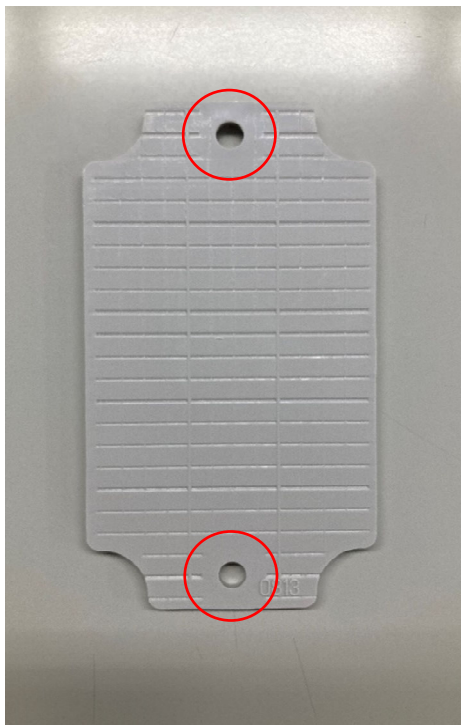
### **BMP0813P Plastic Mounting Plate Changes to Mounting Hole Shape**

- Affected series / models

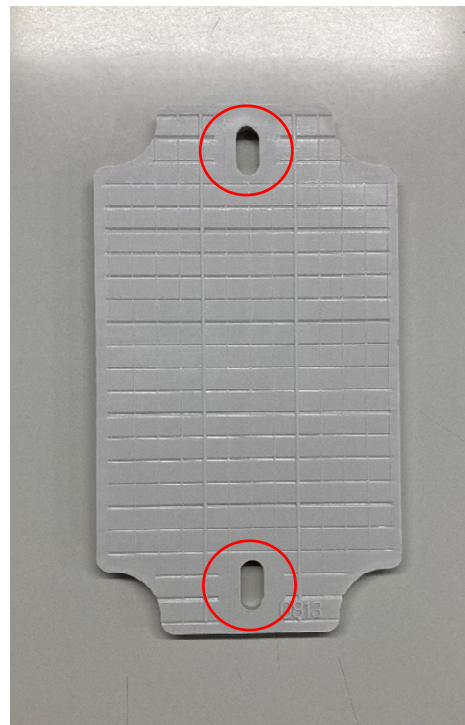
BMP0813P

- Change : Mounting hole shape

**Current Shape**



**New Shape**



- **Functionality:** No changes to functionality, color, finish, or material.
- **Purpose:** To ensure consistent quality throughout via streamlined supply chain and materials.
- **Period:** Once current inventory has been depleted.
- **Series / Model:** No changes to Series, Product number, or pricing.

Thank you for your understanding.

For more information, kindly contact us at: [sales@takachi-el.co.jp](mailto:sales@takachi-el.co.jp)



TAKACHI ELECTRONICS ENCLOSURE CO., LTD.

3-21-16 Higashi-ryoke, Kawaguchi-shi, Saitama, 332-0003 JAPAN

Tel. +81-48-222-5409 / Fax. +81-48-222-7652

November 11, 2019

## Notice

### BMP-P series Plastic Mounting Plate Changes to Underside (bottom) Shape

■ Affected models

Product Number	Status
BMP0811P	Pending (est. 2nd Quarter 2020)
BMP0818P	Pending (est. 2nd Quarter 2020)
BMP1126P	Pending (est. 3rd Quarter 2020)
BMP1212P	Pending (est. 2nd Quarter 2020)
BMP1217P	Changed

■ Changes : Underside shape/construction

Current shape



New shape



■ Purpose : For the reinforcement and strengthening of small-sized plastic mounting plate(s).

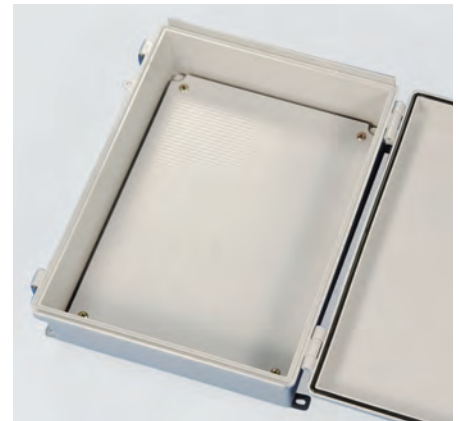
■ Effective date : Once present stock has run out.

■ Note : There will be no changes to product number, color, or pricing.

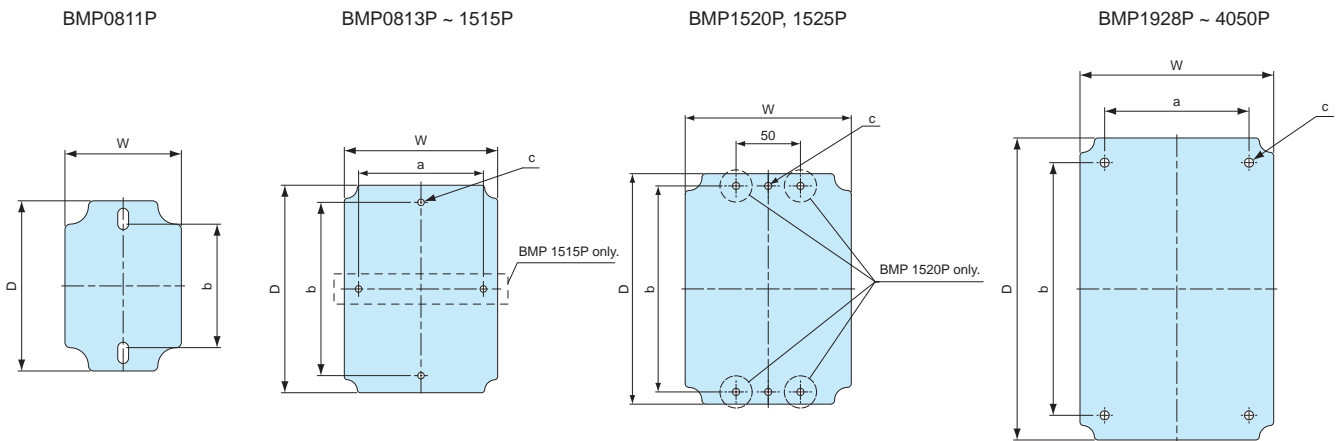
BMP-P series

PLASTIC MOUNTING PLATE

- Light weight ABS plastic mounting plate.



BMP-P dimensions



- DXF/DWG/PDF drawings available on our website.

Components

Part name	Material	Color
Mounting plate	ABS	White gray

Product no. / Dimensions

Product no.	W	D	a	b	c (Φ)	Thickness	Suitable models	Weight (g)
BMP0811P	64.5	94.3	-	68.4	-	3.5	BCAP • R, BCPC • K • R 091207, 091208	21
BMP0813P	64.6	114.5	-	88.4	-	3.5	BCAP • R, BCPC • K • R 101507, 101508	24
BMP1121P	76.5	176	-	158	6	3	BCAP • R, BCPC • K • R 112107, 112110	40
BMP1126P	76.5	226	-	208	6	3	BCAP • R, BCPC • K • R 112607, 112610	53
BMP1315P	101.5	121.5	-	110	5.5	3.5	BCAP • R, BCPC • K • R 131508	36
BMP1217P	110	160	-	140	6	3.5	BCAP • R, BCPC • K • R 131808, 131810	62
BMP1515P	123	123	110	110	6	3.5	BCAP BCPC • K 151509, 151512	52
BMP1520P	129	179	-	160	5.5	3.5	BCAP • R, BCPC • K • R 162110, 162113, 172210	92
BMP1525P	129	228.5	-	210	6	3.5	BCAP • R, BCPC • K • R 162610, 162613, 172711	112
BMP1928P	158.5	248	120	210	8	3.5	BCAP • R, BCPC • K • R 192810, 192814	162
BMP2020P	178.5	178.5	120	150	5.5	3.5	BCAP • R, BCPC • K • R 212110, 212113	125
BMP2030P	166.5	266	128	225.5	8	4	BCAP • R, BCPC • K • R 203013, 203015, 203018	188
BMP2535P	215.5	315	180	268.5	8	4	BCAP • R, BCPC • K • R 253515, 253518	292
BMP2828P	248.5	248.5	210	210	8	4	BCAP • R, BCPC • K • R 282813	237
BMP2838P	248	347.5	209	309.5	8	4	BCAP • R, BCPC • K • R 283813	368
BMP3030P	262.5	262.5	219	219	7.5	4	BCAP • R, BCPC • K • R 303015, 303018	281
BMP3040P	264	364	228	324	7	3.7	BCAP • R, BCPC • K • R 304012, 304015, 304018	437
BMP3535P	313.5	313.5	269.5	269.5	8	4	BCAP • R, BCPC • K • R 353515, 353518	424.5
BMP3545P	305	405.5	273	364	8	4	BCAP • R, BCPC • K • R 354512, 354516, 354520	539
BMP4050P	357	457	328	428	8.5	4	BCAP BCPC • K 405016, 405020	725.5

- K = BCPK series, R = BCAR • BCPR series.

## NOTICE

### **BMP-W series Wooden Mounting Plate Changes to Width Dimension**

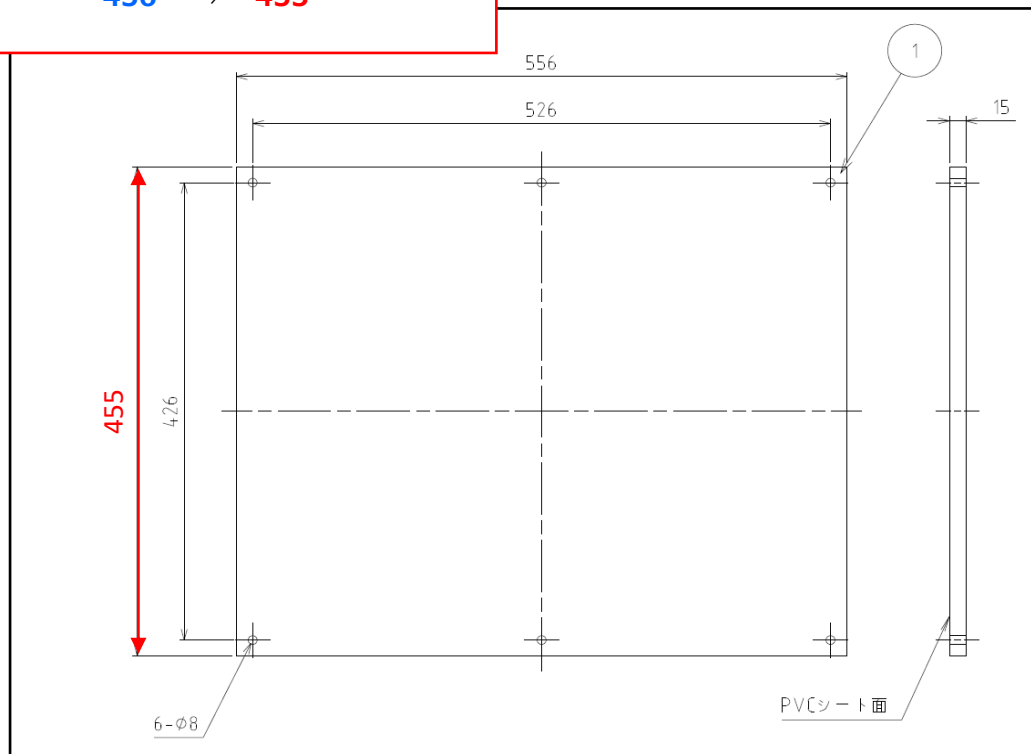
■ Affected series / models

BMP5060W, BMP5070W

■ Change : Width dimension (for both BMP5060W and BMP5070W)

**Current (old) width** ⇒ **New width**

**456** ⇒ **455**



■ **Functionality:** No changes to functionality, color, finish, or material.

■ **Purpose:** To ensure consistent quality throughout via streamlined supply chain and materials.

■ **Period:** Once current inventory has been depleted.

■ **Series / Model:** No changes to Series, Product number, or pricing.

Thank you for your understanding.

For more information, kindly contact us at: [sales@takachi-el.co.jp](mailto:sales@takachi-el.co.jp)



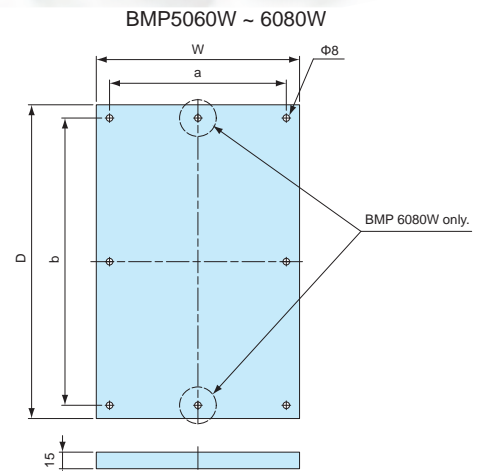
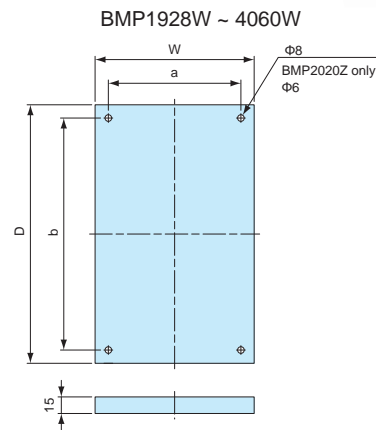
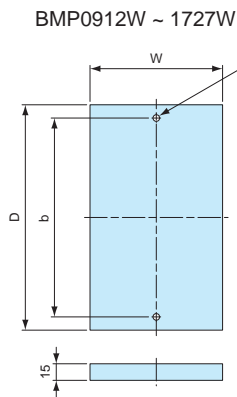
BMP-W series

WOODEN MOUNTING PLATE

- Easy installation with self-tapping screws.
- Easily customizable hard wooden plate.
- Plate comes with scales printed on for easy references.



BMP-W dimensions



Components

■ DXF/DWG/PDF drawings available on our website.

Part name	Pcs	Material	Color / Finish
Mounting plate	1	Wood board t=15	Scaled sheet
Self-tapping screw pan washer head	2 ~ 8	Steel	Trivalent chromate

Product no. / Dimensions

Product no.	W	D	a	b	Suitable models	Screw	Weight (g)
BMP0912W	58	92	-	69	BCAP • R, BCPC • K • R 091207, 091208	M4x20 2 pcs	62
BMP0813W	68	122	-	99	BCAP • R, BCPC • K • R 101507, 101508	M4x20 2 pcs	94
BMP1121W	77	181	-	158	BCAP • R, BCPC • K • R 112107, 112110	M4x20 2 pcs	166
BMP1126W	77	231	-	208	BCAP • R, BCPC • K • R 112607, 112610	M4x20 2 pcs	191
BMP1315W	102	126	-	110	BCAP • R, BCPC • K • R 131508	M4x20 2 pcs	127
BMP1217W	102	156	-	140	BCAP • R, BCPC • K • R 131808, 131810	M4x20 2 pcs	190
BMP1515W	118	125	-	110	BCAP BCPC • K 151509, 151512	M4x20 2 pcs	172
BMP1520W	126	180	-	160	BCAP • R, BCPC • K • R 162110, 162113	M4x20 2 pcs	243
BMP1525W	127	231	-	210	BCAP • R, BCPC • K • R 162610, 162613	M4x20 2 pcs	352
BMP1722W	137	191	-	160	BCAP • R, BCPC • K • R 172210	M4x20 2 pcs	286
BMP1727W	137	241	-	210	BCAP • R, BCPC • K • R 172711	M4x20 2 pcs	212
BMP1928W	150	240	120	210	BCAP • R, BCPC • K • R 192810, 192814	M5x20 4 pcs	350
BMP2020W	170	174	120	150	BCAP • R, BCPC • K • R 212110, 212113	M4x20 4 pcs	336
BMP2030W	159	256	129	226	BCAP • R, BCPC • K • R 203013, 203015, 203018	M5x20 4 pcs	482
BMP2535W	210	300	180	270	BCAP • R, BCPC • K • R 253515, 253518	M5x20 4 pcs	688
BMP2828W	240	240	210	210	BCAP • R, BCPC • K • R 282813	M5x20 4 pcs	565
BMP2838W	240	340	210	310	BCAP • R, BCPC • K • R 283813	M5x20 4 pcs	893
BMP3030W	249	249	219	219	BCAP • R, BCPC • K • R 303015, 303018	M5x20 4 pcs	659
BMP3040W	258	355	228	324	BCAP • R, BCPC • K • R 304012, 304015, 304018	M5x20 4 pcs	965
BMP3535W	300	300	270	270	BCAP • R, BCPC • K • R 353515, 353518	M5x20 4 pcs	964
BMP3545W	301	395	274	365	BCAP • R, BCPC • K • R 354512, 354516, 354520	M5x20 4 pcs	1,314
BMP4050W	355	455	328	428	BCAP BCPC • K 405016, 405020	M5x20 4 pcs	1,754
BMP4060W	355	552	328	525	BCAP BCPC • K 406018, 406023	M5x20 4 pcs	2,015.5
BMP5060W	455	556	426	526	BCAP • R, BCPC • K • R 506018, 506025	M5x20 6 pcs	2,650
BMP5070W	455	656	426	626	BCAP • R, BCPC • K • R 507018, 507025	M5x20 6 pcs	3,152.5
BMP6080W	556	756	526	726	BCAP • R, BCPC • K • R 608018, 608028	M6x20 8 pcs	4,434

■ K = BCPK series, R = BCAR • BCPR series.



**TAKACHI ELECTRONICS ENCLOSURE CO., LTD.**

3-21-16 Higashi-ryoke, Kawaguchi-shi, Saitama, 332-0003 JAPAN

Tel. +81-48-222-5409 / Fax. +81-48-222-7652

May 20, 2022

## NOTICE

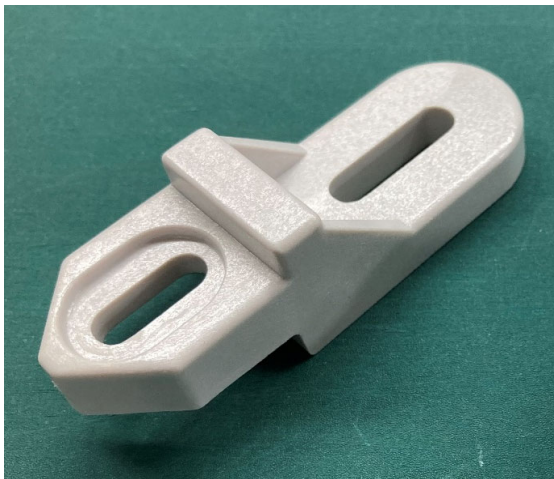
### **BFL series Mounting Bracket Changes to Material**

■ Affected series / models

Product no.
BFL-1G
BFL-2G
BFL-2-21G

■ Change : Material

**Current Material**  
Glassfiber Filled Polycarbonate



**New Material**  
ABS



- Purpose: To ensure consistent quality throughout via streamlined supply chain and materials.
- Effective Date : Once current inventory has been depleted.
- Note 1: No changes to product's dimensions and surface finish.
- Note 2: No changes to item product number or pricing.

Thank you for your understanding.

For more information, kindly contact us at: [sales@takachi-el.co.jp](mailto:sales@takachi-el.co.jp)

## **NOTICE**

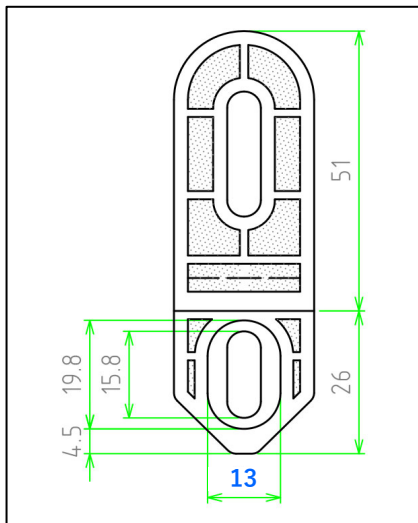
### **BFL series Mounting Bracket Changes to Dimensions**

■ Affected series / models

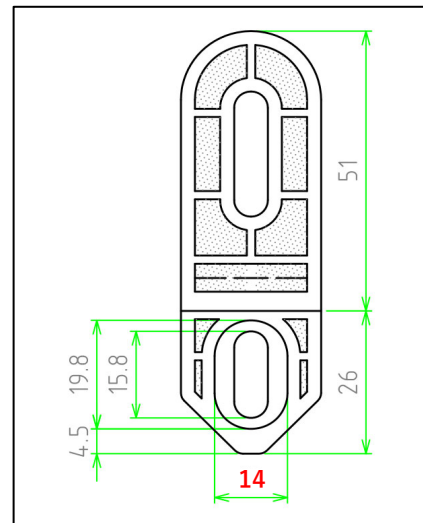
Product no.
BFL-2G
BFL-2-21G
BFL-2S
BFL-2-21S

■ Change : Dimensions

**Current (Old) Dimensions**



**New Dimensions**



- Purpose: To ensure consistent quality throughout via streamlined supply chain and materials.
- Effective Date : Once current inventory has been depleted.
- Note 1: No change in product's installation.
- Note 2: No changes to item product number or pricing.

Thank you for your understanding.  
For more information, kindly contact us at: [sales@takachi-el.co.jp](mailto:sales@takachi-el.co.jp)

BFL series

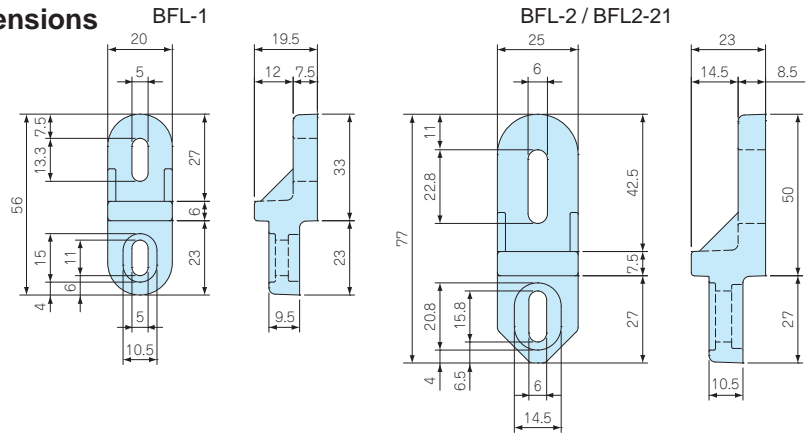
PLASTIC MOUNTING PLATE



Color G Color S

- 2 different colored types to match box colors
- Tough and strong glass fiber filled polycarbonate.

BFL dimensions



Color Type

Code	Color	Suitable models
G	White gray	BCAP • BCAR
S	Light gray	BCPC • BCPK • BCPR

Components

■ DXF/DWG/PDF drawings available on our website.

Part name	Pcs	Material / Finish
Mounting bracket	4	Glass fiber filled polycarbonate
Screw	4	Stainless steel / Unfinished

Product no. / Dimensions

Product no.	Suitable models	Screw
BFL-1□	BCAP • R, BCPC • K • R 0912, 1015, 1121, 1126, 1315, 1318, 1621, 1626, 1722, 1727, 212113	Self-tapping M4-12 bind head
BFL-2□	BCAP • R, BCPC • K • R 1928, 2030, 2535, 2828, 2838, 3030, 3040, 3535, 3545, 4050, 4060, 5060	M5-12 bind head
BFL-2-21□	BCAP • R, BCPC • K • R 212110	Self-tapping M4-12 bind head

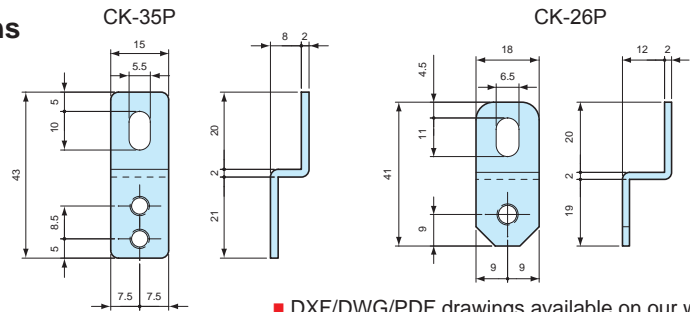
- Please suffix color code at the end of the product number.
- \*Not suitable for BCAP1515 models. Use CK-35P (Stainless steel) instead.

CK series

STAINLESS STEEL MOUNTING BRACKET



CK dimensions



Components

■ DXF/DWG/PDF drawings available on our website.

Part name	Pcs	Material	Finish
Mounting bracket	4	Stainless steel SUS304	Barrel finish
Screw	4	Stainless steel	Unfinished

Product no. / Dimensions

Product no.	Suitable models	Screw
CK-35P	BCAP • R, BCPC • K • R 0912, 1015, 1121, 1126, 1315, 1318, 1515, 1621, 1626, 1722, 1727, 2121	Self-tapping M4-10 pan head
CK-26P	BCAP • R, BCPC • K • R 1928, 2030, 2535, 2828, 2838, 3030, 3040, 3535, 3545, 4050, 4060	M5-10 pan head

MT series

PCB MOUNTING SCREW

- PCB mounting screws for inner bosses of BCAP • BCAR • BCPC • BCPK • BCPR series.



Product no. / Dimensions

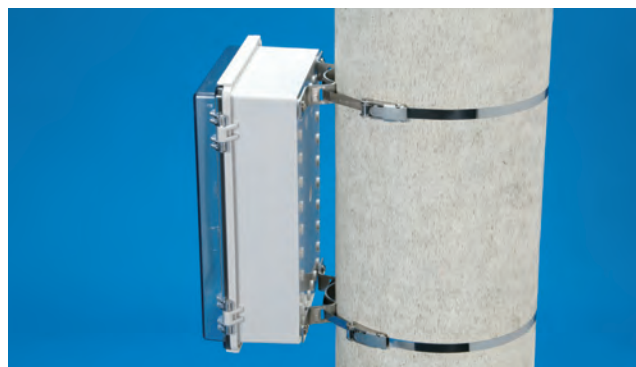
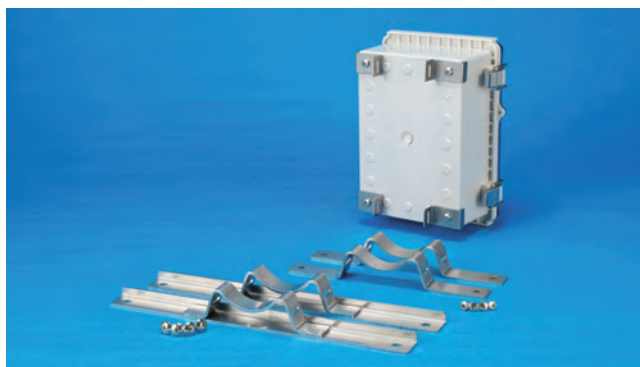
Product no.	Screw details	Material	Finish	Pack of
MT4-8T	Self-tapping M4-8 bind head	Steel	Trivalent chromate	20
MT5-8T	Self-tapping M5-8 bind head	Steel	Trivalent chromate	20

Product no. / Dimensions

Product no.	Suitable models	Recommended torque
MT4-8T	BCAP • R, BCPC • K • R 0912, 1015, 1121, 1126, 1315, 1318, 1515, 1621, 1626, 1722, 1727, 1928, 2121	0.7N • m
MT5-8T	BCAP • R, BCPC • K • R 2030, 2535, 2828, 2838, 3030, 3040, 3535, 3545, 4050, 4060, 5060, 5070, 6080	1.4N • m

SSK series

POLE MOUNTING BRACKET for BCAP • BCAR • BCPC • BCPK • BCPR

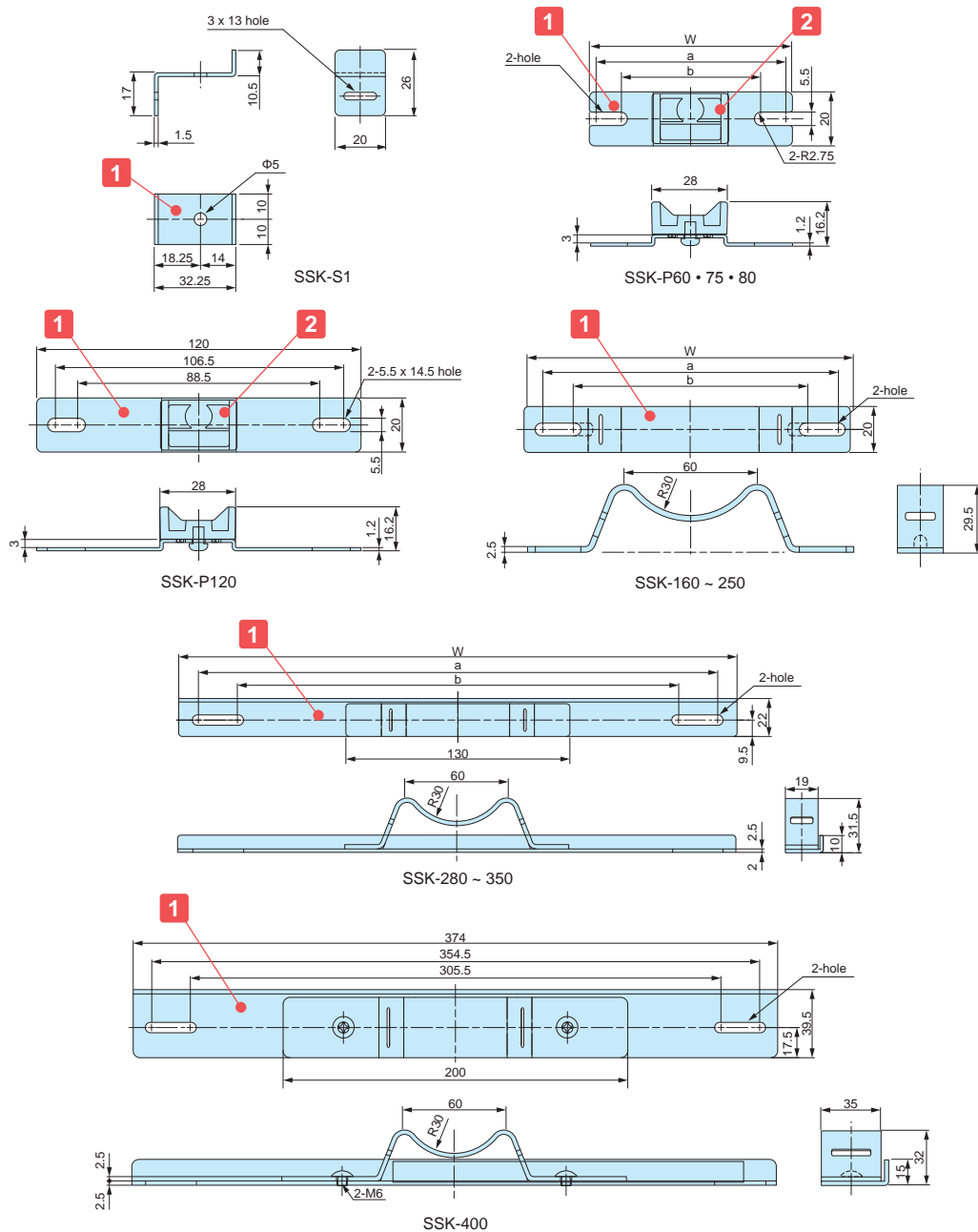


- Stainless steel pole mounting bracket for BCAP • BCAR • BCPC • BCPK • BCPR series.
- No hole milling is required for maintaining the IP rating of the boxes.
- SSK-P models come with plastic brackets.

APPLICATION EXAMPLE  
Weather Station Data Logger

SSK dimensions

■ DXF/DWG/PDF drawings available on our website.

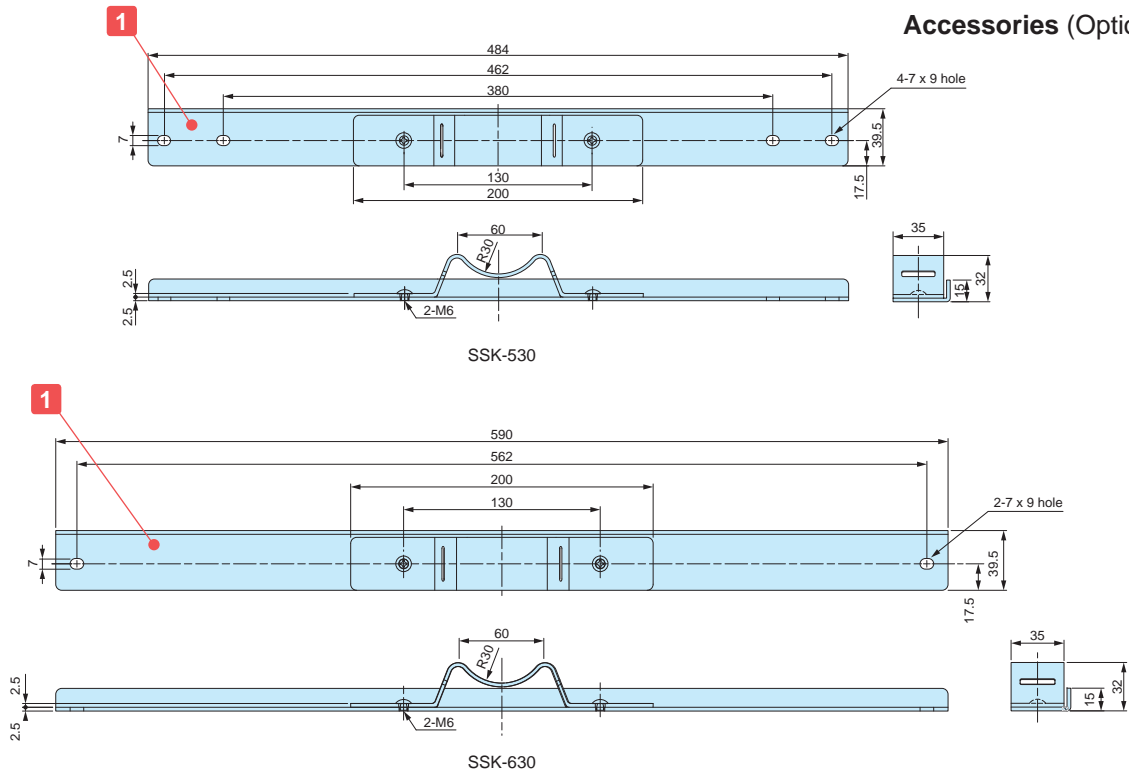


Water Level Detector





Accessories (Optional parts)



■ DXF/DWG/PDF drawings available on our website.

Components

No.	Part name	Pcs	Material	Color / Finish
1	Mounting bracket	2 / 4	Stainless steel SUS304	Barrel finish
2	Plastic bracket (SSK-P only)	2	ASA UL94HB	White gray
-	Screw	4	Stainless steel	Unfinished

Product no. / Dimensions

Product no.	W	a	b	Suitable models BCAP • BCAR • BCPC • BCPK • BCPR	Belt to use with	Pack of
SSK-S1	32.25	18.25	14	0912, 1015, 1121, 1126, 1315, 1318, 1621, 1626, 1722, 1727, 2121	PKB10PM, 10P, PKB10S, SNB series	4
SSK-P60	60	54.5	47.5	0912	PKB10PM, 10P, PKB10S	2
SSK-P75	75	69.5	55.5	1015	PKB10PM, 10P, PKB10S	2
SSK-P80	80	74.5	64.5	1121, 1126	PKB10PM, 10P, PKB10S	2
SSK-P120	120	106.5	88.5	1315, 1318	PKB10PM, 10P, PKB10S	2
SSK-160	142	129.5	106.5	1515, 1621, 1626	PKB10PM, 10P, PKB10S, SNB series	2
SSK-170	152	142.3	101	1722, 1727	PKB10PM, 10P, PKB10S, SNB series	2
SSK-200	174	161.5	112.5	1928, 2030	PKB10PM, 10P, PKB10S, SNB series	2
SSK-210	192	180.5	131.5	2121	PKB10PM, 10P, PKB10S, SNB series	2
SSK-250	230	215.5	166.5	2535	PKB10PM, 10P, PKB10S, SNB series	2
SSK-280	260	244.5	195.5	2828, 2838	PKB10PM, 10P, PKB10S, SNB series	2
SSK-300	280	264.5	215.5	3030, 3040	PKB10PM, 10P, PKB10S, SNB series	2
SSK-350	324	302.5	253.5	3535, 3545	PKB10PM, 10P, PKB10S, SNB series	2
SSK-400	374	354.5	305.5	4050, 4060	PKB20S, SNB series	2
SSK-530	484	462	380	5060, 5070	PKB20S, SNB series	2
SSK-630	590	562	-	6080	PKB20S, SNB series	2



SNB series



PKB-10PM, 10P



PKB-10S, 20S

■ Pole mounting strap and belt, SNB and PKB series are sold separately. See page 323 ~ 324 for further details.

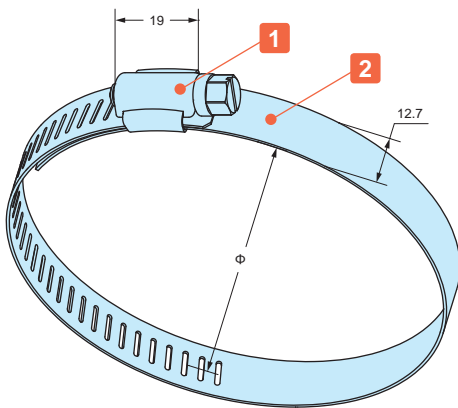


SNB series

STAINLESS STEEL POLE MOUNTING STRAP



SNB dimensions



- Corrosion resistant stainless steel (SUS304) belt clamp.
- It can be installed securely by tightening the screw.
- 8 mm nut driver (box driver) is recommended for tightening. Minus screw driver can also be used.

Components

No.	Part name	Pcs	Material	Finish
1	Bracket	1	Stainless steel SUS304	Polished
2	Strap	1	Stainless steel SUS304	Polished

Product no. / Dimensions

Product no.	Applicable diameter (Φ)	Strap width	Strap thickness	Recommended torque N · m	Weight (g)	Pack of
SNB 52- 76	52 ~ 76	12.7	0.6	0.7 ~ 1.0	27.5	1
SNB 72- 95	72 ~ 95	12.7	0.6	0.7 ~ 1.0	30	1
SNB 91-114	91 ~ 114	12.7	0.6	0.7 ~ 1.0	34.5	1
SNB105-127	105 ~ 127	12.7	0.6	0.7 ~ 1.0	37.5	1
SNB117-140	117 ~ 140	12.7	0.6	0.7 ~ 1.0	39.5	1
SNB130-153	130 ~ 153	12.7	0.6	0.7 ~ 1.0	41.5	1
SNB142-165	142 ~ 165	12.7	0.6	0.7 ~ 1.0	43.5	1
SNB155-178	155 ~ 178	12.7	0.6	0.7 ~ 1.0	46.5	1
SNB168-191	168 ~ 191	12.7	0.6	0.7 ~ 1.0	49	1
SNB181-204	181 ~ 204	12.7	0.6	0.7 ~ 1.0	51	1
SNB194-217	194 ~ 217	12.7	0.6	0.7 ~ 1.0	52.5	1
SNB207-230	207 ~ 230	12.7	0.6	0.7 ~ 1.0	57	1
SNB220-243	220 ~ 243	12.7	0.6	0.7 ~ 1.0	59.5	1
SNB233-256	233 ~ 256	12.7	0.6	0.7 ~ 1.0	62.5	1
SNB246-269	246 ~ 269	12.7	0.6	0.7 ~ 1.0	64	1
SNB259-282	259 ~ 282	12.7	0.6	0.7 ~ 1.0	67.5	1
SNB272-295	272 ~ 295	12.7	0.6	0.7 ~ 1.0	70	1
SNB285-308	285 ~ 308	12.7	0.6	0.7 ~ 1.0	71	1

■ Recommended torque listed is for reference only; actual may differ. Assemble after testing torque.

SNB Strap required

Suitable series	Suitable models						Required
SSK series	SSK-S1	SSK-160	SSK-170	SSK-200	SSK-210	SSK-250	2
	SSK-280	SSK-300	SSK-350	SSK-400	SSK-530		
WGMB series	WGMB-1W						1

PKB series

POLE MOUNTING BELT



PKB-10PM, 10P



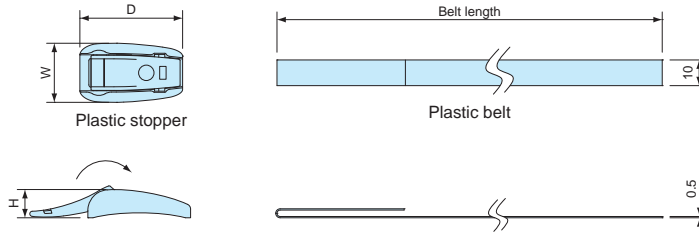
PKB-10S, 20S

- Pole mounting belt for attachment of enclosures with suitable pole mount brackets or construction onto poles.
- Designed for one time use only (not reusable).
- Strong stainless steel clamping type and easy installation plastic type are available.

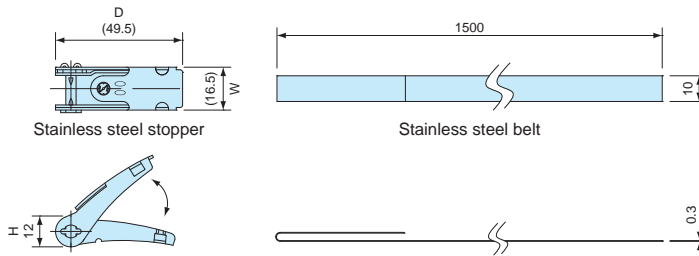
PKB dimensions

■ DXF/DWG/PDF drawings available on our website.

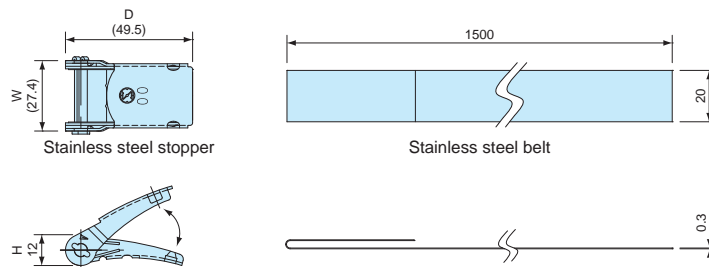
PKB-10PM, 10P



PKB-10S



PKB-20S



Components

No.	Part name	Material	Color / Finish
1	Stopper	Stainless steel SUS304 • POM	Barrel finish • Black
2	Belt	Stainless steel SUS430 • PET	Bright annealed finish • Gray

Product no. / Dimensions

Product no.	W	D	H	Belt length	Belt material	Tensile strength (horizontal)	Weight (g)	Pack of
PKB-10PM	24	23	11	500 mm	PET	0.8kN	14	2
PKB-10PM	23	40	11	1,500 mm	PET	1.3kN	31.8	2
PKB-10S	16.5	49.5	12	1,500 mm	Stainless steel SUS304	1.4kN	101.6	2
PKB-20S	27.4	49.5	12	1,500 mm	Stainless steel SUS430	2.9kN	182.2	2

PMF series

PROTECTIVE VENT

Pressure Equalization / Ventilation



Application Example

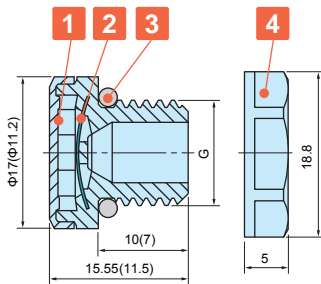
- Protective vent protects the enclosure from deformation by equalizing internal and external pressure differences, as well as venting the gas generated within the enclosure.
- IP68 protection class (water depth 2 meters / 60 mins) with an operating temperature range -40°C ~ +125°C allows them to be used in harsh environments.
- PMF-6B model is suitable for enclosures with capacities of up to 2.0 liters. PMF-12 and PMF-12HS models are suitable for up to 5 and 50 liters respectively.
- Recommended to be installed at the sides of the enclosure.
- Use in industrial and electrical / electronic products only; not suitable to be used in medical, food and beverage, and cosmetic industries and related industrial equipment.

PMF dimensions

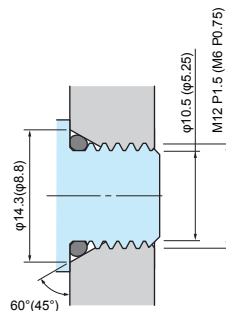
Hole milling drawings

Installation drawings

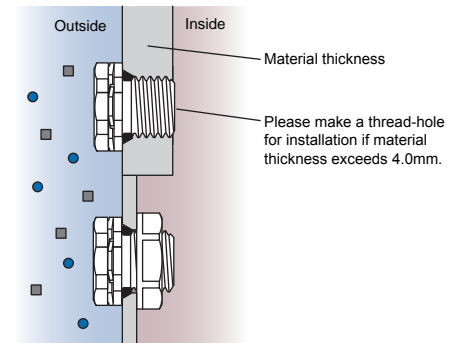
■ DXF/DWG/PDF drawings available on our website.



( ) values are for PMF-6B.  
Lock nut is not available for PMF-6B



■ Recommended for prevention of O-ring deformation during tightening.  
If tightened with a lock nut, a standard through-hole is sufficient for installation.



■ If used with a lock nut, material thickness should not exceed 4.0mm.

Technical Data

Product no.	PMF-6B	PMF-12	PNF-12HA
Airflow	300ml / min (dp = 7kPa)	450ml / min (dp = 7kPa)	4,000ml / min (dp = 7kPa)
Recommended torque	0.2 ~ 0.4N · m	0.6 ~ 0.8N · m	0.6 ~ 0.8N · m
Certifications	IEC60529 (Protection class test) : IP65 • IP66 • IP67 • IP68 • IP69K (Not for PMF-6B) IEC60068-2-1, 2, 14 (Heat resistance test) : - 40°C ~ +125°C (~+150°C for PMF-6B) IEC60068-2-78 (Humidity test) : 85°C • 85% humidity • 1,000 hours IEC60068-2-11, 52 (Salt spray test) IEC60068-2-64 (Vibration test) GR-3108-CORE (Corrosive gas test) UL94V-0 (Flame-resistant) • UL746C f1		

Product no. / Dimensions

Product no.		Material				G		Lock nut
● Light gray	● Black	1 Housing	2 Filter	3 O-ring	4 Lock nut	Thread size	Mount hole	SW
—	PMF- 6B	PA6 / 66	PTFE	Silicone	—	M6 x P0.75	—	—
PMF-12S	PMF-12B	PA66 / 6	PTFE	Silicone	PA66 (UL94V-2)	M12 x P1.5	Φ12.2	17
PMF-12HAS	PMF-12HAB	PA66 / 6	PTFE	Silicone	PA66 (UL94V-2)	M12 x P1.5	Φ12.2	17

# PMF-32S

# LARGE PROTECTIVE VENT

## Pressure Equalization / Ventilation

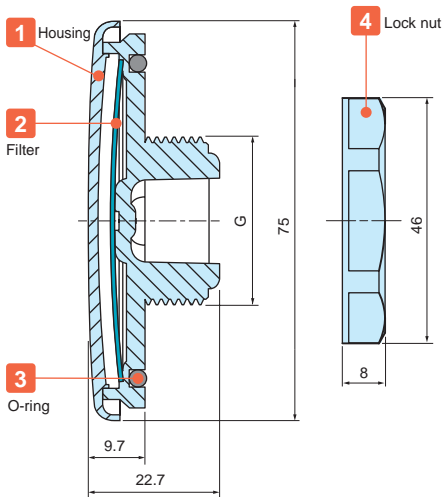


Application Example

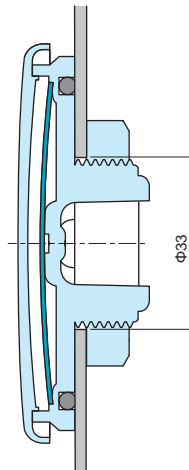
- Maintaining high airflow for large enclosures in an outdoor environment.
- Protective vent protects the enclosure from deformation by equalizing internal and external pressure differences, as well as venting the gas generated within the enclosure.
- Simple and flat design allows it to be used on a wide variety of enclosure types.
- IP68 protection class rated with an operating temperature range of -40°C ~ +125°C allows it to be used in harsh environments.
- Compliant with Solar industry testing IEC62108 standards.
- Recommended to be installed at the sides of the enclosure.
- Use in industrial and electrical / electronic products only; not suitable to be used in medical, food and beverage, and cosmetic industries and related industrial equipment.

### PMF-32 dimensions

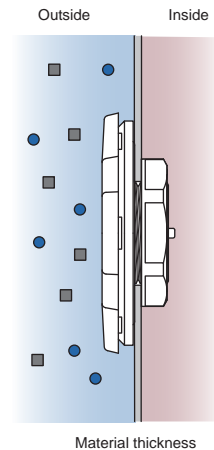
■ DXF/DWG/PDF drawings available on our website.



### Hole milling drawings



### Installation drawings



■ If used with a lock nut, material thickness should not exceed 5.0mm.

### Technical Data

<b>Airflow</b>	16ℓ / min (dp = 1.2kPa)
<b>Recommended torque</b>	5 N · m
<b>Certifications</b>	IEC529, 2nd (Protection class test) : IP66 • IP67 • IP68 • IP69K IEC60068-2-1, 2, 14 (Heat resistance test) : - 40°C ~ +125°C IEC60068-2-78 (Humidity test) : 85°C • 85% humidity • 1,000 hours IEC60068-2-11, 52 (Salt spray test) IEC60068-2-64 (Vibration test) IEC62108, 10.8 • 9 (Solar industry test) : Freezing • High temperature tes • Hail impact test GR-3108-CORE (Corrosive gas test) UL94V-0 (Flame-resistant) • UL746C f1

### Product no. / Dimensions

Product no.	Material				G			Lock nut SW
	1 Housing	2 Filter	3 O-ring	4 Lock nut	Thread size	Thread diameter	Mount hole	
PMF-32S	Polycarbonate	PTFE	Silicone	PA66	M32 x P1.5	φ32	φ33	41.5

VE8 series

ADHESIVE PROTECTIVE VENT FILTER



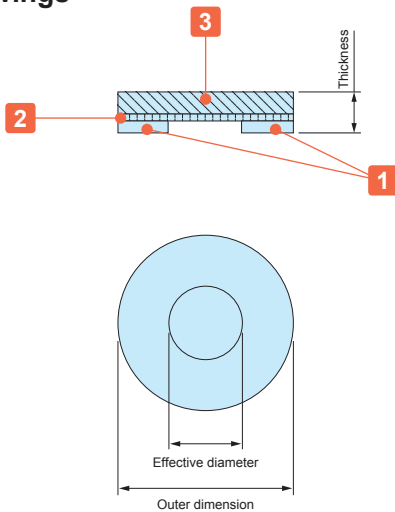
Technical Data
Protection class : Dustproof IP6X Waterproof IPX4, IPX7
Airflow: 3,300ml/min/cm2 (at 7Kpa)
Operating temperature: -40°C ~ +100°C

- Improved airflow of 3,300ml/min/cm2 as compared to previous VSC series.
- Vent filter protects the enclosure from deformation by equalizing internal and external pressure differences, as well as venting the gas generated within the enclosure.
- Allows water vapor molecules to diffuse through the microporous membrane.
- Highly water and oil repellent membrane protects electronic components from water, corrosive liquids, salts and dust.
- Easy installation adhesive filter.
- Recommended to be adhered onto flat plastic or metallic surfaces.

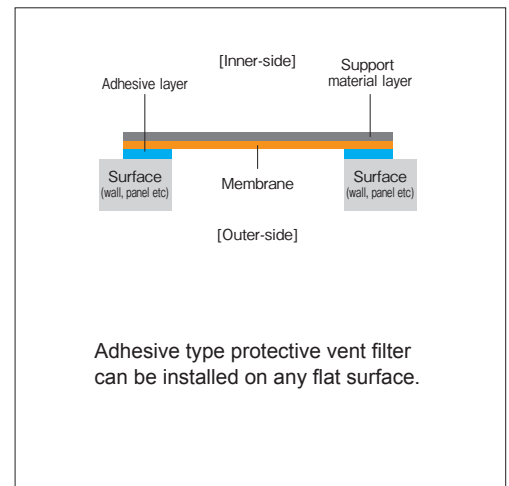
CAUTION

- Install only on the inner surface of the case / box with the membrane and adhesive side facing outwards.
- An initial period of 24 hours is required for the adhesive to properly bond to the surface. Avoid using the vent filter with a heavy load.
- Please do not adhere onto the top-side of enclosures. Rain water etc. will collect on the filter, which will weaken the adhesive seal and prevent proper ventilation.
- After degreasing and cleaning, adhere the filter without touching the center part of the vent filter.
- Use in industrial and electrical / electronic products only; not suitable to be used in medical, food and beverage, and cosmetic industries and related industrial equipment.

VE8 drawings



Installation drawings



Components

No.	Part name	Material	Color
1	Adhesive	Acrylic adhesive	Transparent
2	Filter	ePTFE (Oil-repellent type)	White
3	Support material	Polyester fabric	White

Product no. / Dimensions

Product no.	Outer dimension (Φ-mm)	Effective diameter (Φ-mm)	Thickness (mm)	Sales unit
VE80308	7.6	3.3	0.26	8 pcs (per pack)
VE80814	14.0	8.0	0.26	4 pcs (per pack)
VE81221	21.5	12.5	0.26	4 pcs (per pack)
<b>NEW</b> VE82029S	29.0	20.0	0.35	2 pcs (per pack)
VE80308-S	7.6	3.3	0.26	96 pcs (per sheet)
VE80814-S	14.0	8.0	0.26	56 pcs (per sheet)
VE81221-S	21.5	12.5	0.26	20 pcs (per sheet)
<b>NEW</b> VE82029S-S	29.0	20.0	0.35	10 pcs (per sheet)

V series

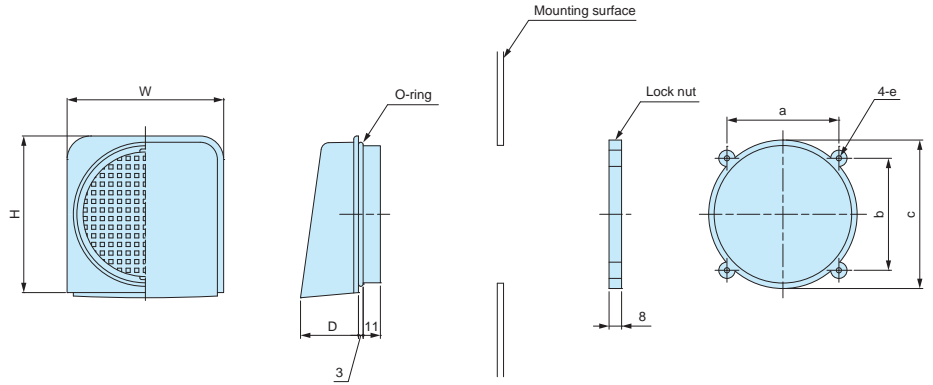
VENTILATION LOUVER



- Recommended for condensation prevention and heat dissipation.
- 2 models available : ABS V60, V80 match the color for BCAP and BCAR series, and polycarbonate V60S and V80S match the color for BCPC, BCPK, and BCAR series.
- Suitable to be used on a variety of enclosure types, series and models.

V dimensions

■ DXF/DWG/PDF drawings available on our website.



Product no. / Dimensions

Product no.	Material	Color	Mount hole	W	H	D	a	b	c	e
V60	ABS	White gray	Φ63	74	74	31.8	50.5	50.5	70	Φ3.8
V80	ABS	White gray	Φ88	100	100	37	71.5	71.5	94.8	Φ3.3
V60S	Polycarbonate	Light gray	Φ63	74	74	31.8	50.5	50.5	70	Φ3.8
V80S	Polycarbonate	Light gray	Φ88	100	100	37	71.5	71.5	94.8	Φ3.3

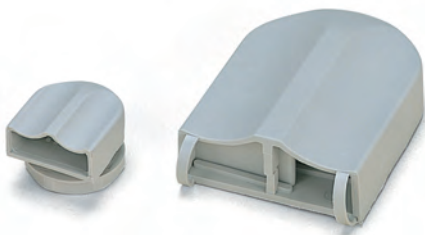
■ O-ring material : NBR / Black

VF series

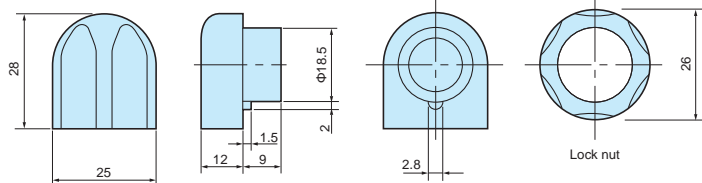
VENTILATION PARTS

VF dimensions

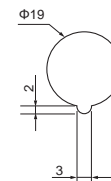
■ DXF/DWG/PDF drawings available on our website.



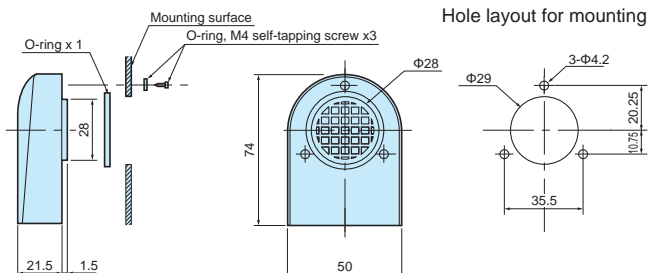
VF-1



Hole layout for mounting



VF-2



Hole layout for mounting

Technical Data

Protection class : VF-1 IP33  
VF-2 IP24

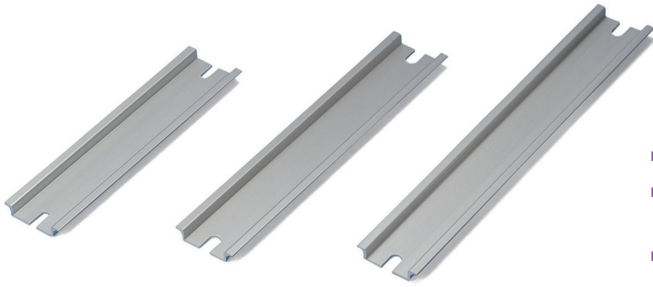
Product no. / Dimensions

Product no.	Material / Color
VF-1	Polyamide / White gray
VF-2	Polyamide / White gray

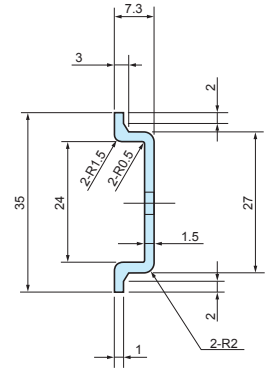
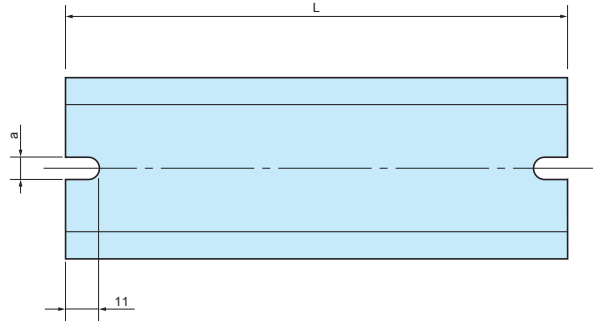
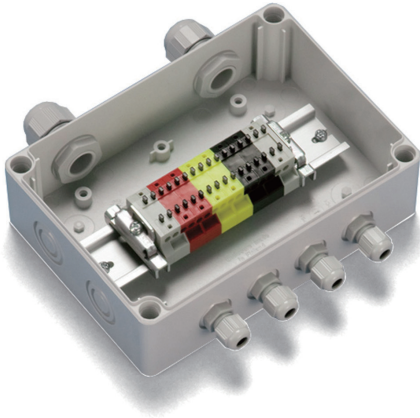


FDR SERIES

DIN-RAIL



- DIN rail for installation of terminals, relays or switches inside enclosures.
- Available in different models and lengths to fit a wide variety of mounting boss pitch.
- FDR-1000 is available if customized length is required.



Feature

Material	Finish
Extruded Aluminium A6063S-T5	Silver anodized

Product no. / Dimensions

Product no.	L	a	Matching boss pitch
FDR- 50	50	4.2	32 ~ 42
57	57	4.2	39 ~ 49
66	66	4.2	48 ~ 58
77	77	4.2	59 ~ 69
80	80	4.2	62 ~ 72
87	87	4.2	69 ~ 79
92	92	4.2	74 ~ 84
100	100	4.2	82 ~ 92
106	106	4.2	88 ~ 98
110	110	4.2	92 ~ 102
120	120	4.2	102 ~ 112
128	128	4.2	110 ~ 120
137	137	4.2	119 ~ 129
142	142	4.2	124 ~ 134
146	146	4.2	128 ~ 138
150	150	4.2	132 ~ 142
168	168	4.2	150 ~ 160
170	170	4.2	152 ~ 162
186	186	4.2	168 ~ 178
202	202	4.2	184 ~ 194
205	205	4.2	187 ~ 197
223	223	4.2	205 ~ 215
226	226	4.2	208 ~ 218
235	235	4.2	217 ~ 227
242	242	4.2	224 ~ 234
249	249	4.2	231 ~ 241
283	283	4.2	265 ~ 275
300	300	4.2	282 ~ 292
350	350	4.2	332 ~ 342
450	450	4.2	432 ~ 442
550	550	4.2	532 ~ 542

Product no.	L	a	Matching boss pitch
FDR-B102	102	6.5	86 ~ 92
<b>NEW</b> B124	124	6.5	108 ~ 114
B142	142	6.5	126 ~ 132
B160	160	6.5	144 ~ 150
B165	165	6.5	149 ~ 155
B176	176	6.5	160 ~ 166
B183	183	6.5	167 ~ 173
B223	223	6.5	207 ~ 213
B260	260	6.5	244 ~ 250
B283	283	6.5	267 ~ 273
B303	303	6.5	287 ~ 293
B338	338	6.5	322 ~ 328
B360	360	6.5	344 ~ 350
B376	376	6.5	360 ~ 366
B383	383	6.5	367 ~ 373
B463	463	6.5	447 ~ 453
B560	560	6.5	544 ~ 550
B623	623	6.5	607 ~ 613
FDR-1000	1000	—	—

■ FDR-1000 does not have mounting holes.

Matching DIN-Rail Chart

BC□□ series

Product no.	Matching DIN-Rail
091207	FDR - 80
091208	80
101507	110
101508	110
112107	170
112110	170
112607	223
112610	223
BCAP	
BCPC	
BCPK	
BCAR	
BCPR	
131508	120
131808	150
131810	150
151509	120
151512	120
162110	170
162113	170
162610	223
162613	223
172211	170
172711	223

BDN series

Product no.	Matching DIN-Rail
6- 8- 5	FDR - 50
7-10- 4	-
9- 9- 6	FDR - 80
9-13- 5	120
10-14- 7	128
11-16- 6	150
12-22- 8	205
16-26- 9	242

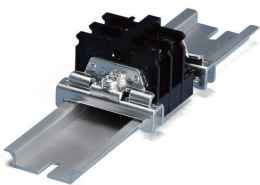
BCAS series

Product no.	Matching DIN-Rail
071005	FDR - 92
080806	66
081104	92
081107	92
081108	92
081110	92
081307	110
081308	110
081807	168
081808	168
082507	235
082508	235
101007	77
101010	77
101807	150
102007	170
102307	202
121207	80
121210	80
141709	146
142309	205
151507	120
151510	120
152004	170
152007	170
152010	170
152013	170
152016	170
152510	226
152513	226
161607	137

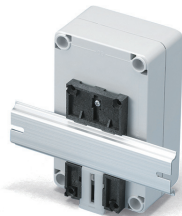
SPCM • SPCP series

Product no.	Matching DIN-Rail
081304	FDR - 50/100
081305	50/100
081306	50/100
081308	50/100
081310	50/100
081313	50/100
101004	80
101006	80
131304	100
131305	100
131306	100
131308	100
131310	100
131313	100
SPCM	
SPCP	
131804	100/150
131805	100/150
131806	100/150
131808	100/150
131810	100/150
131813	100/150
131815	100/150
181808	150
181810	150
181813	150
181815	150
182508	150/223
182510	150/223
182515	150/223

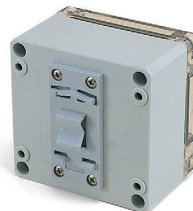
Accessories (Optional parts)



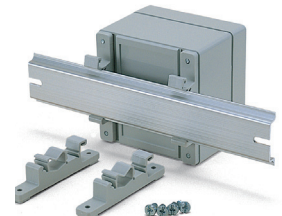
DIN-Rail stopper bracket TKR series  
See page DIN-ACC-2



DIN-Rail mounting base DRA series  
See page DIN-ACC-1



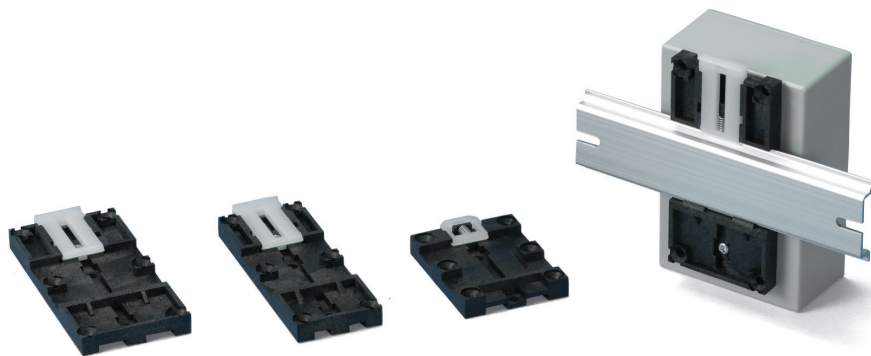
DIN-Rail mounting base DRT series  
See page DIN-ACC-1



DIN-Rail mounting feet CKD series  
See page DIN-ACC-2

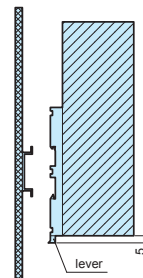
**DRA SERIES**

**DIN-RAIL MOUNTING BASE**



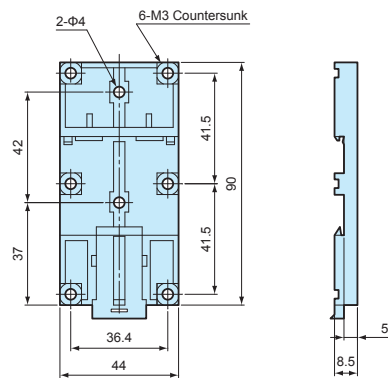
**NOTE**

Before installation, please ensure that the lever is not fully hidden behind the enclosure.

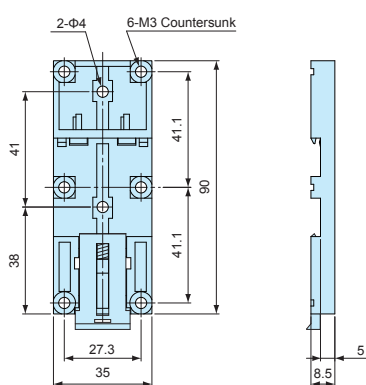


- For installation of enclosures, PCB and other parts onto a DIN rail.
- Simple installation and removal via the pull lever.

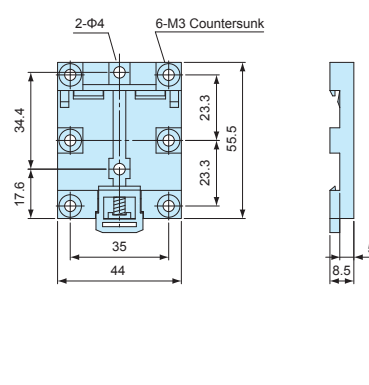
**DRA-1**



**DRA-2**



**DRA-3**

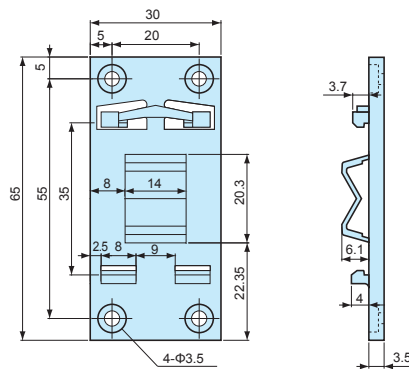
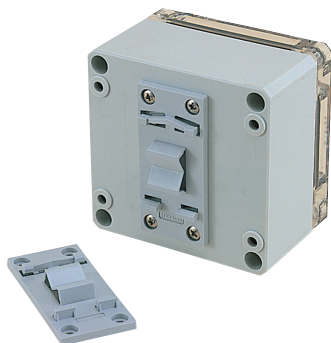


**Product no. / Dimensions**

Product no.	Material (body)	Material (lever)	Color	Weight (g)	Max load (kg)
DRA-1	PPE : SB UL94V-1	Nylon 66 UL94V-2	Black : Milky white	16.4	5
DRA-2	PPE : SB UL94V-1	Nylon 66 UL94V-2	Black : Milky white	14.5	5
DRA-3	PPE : SB UL94V-1	Nylon 66 UL94V-2	Black : Milky white	10.4	5

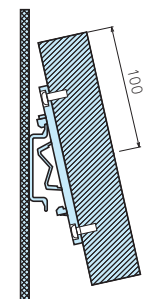
**DRT SERIES**

**DIN-RAIL MOUNTING BASE**



**NOTE**

Before installation, please ensure that the length (from top) of the enclosure is equal to, or less than 100mm from the center of the mounting base.



- For installation of enclosures, PCB and other parts onto a DIN rail.
- Simple installation and removal by tilting the case at an angle and sliding it in/out.

**Product no. / Dimensions**

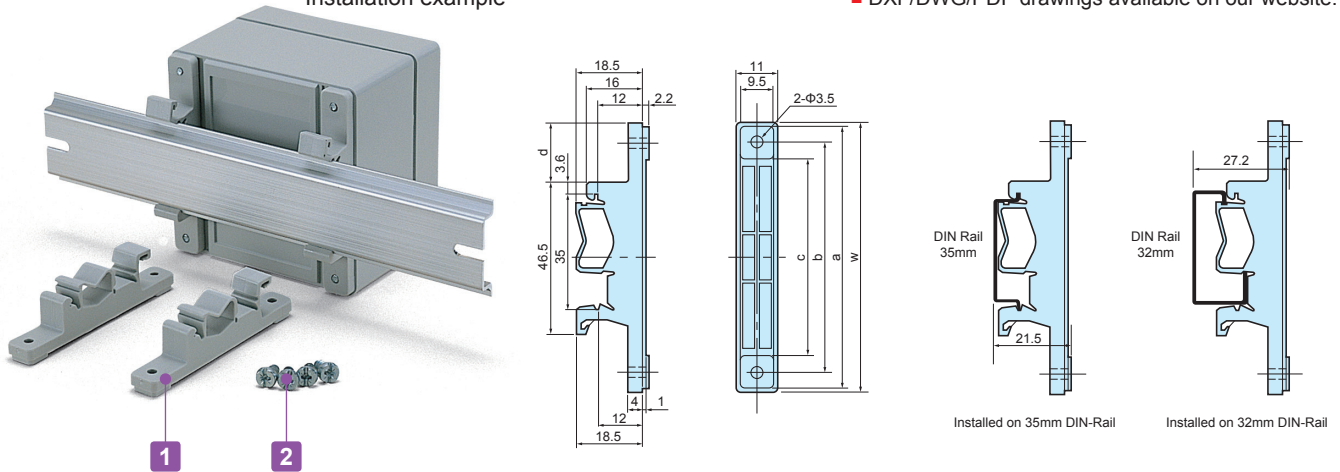
Product no.	Material	Color	Weight (g)	Max load (kg)
DRT-1	PBT UL94V-0	Light gray	7.3	1

**CKD SERIES**

**DIN-RAIL MOUNTING FEET**

Installation example

■ DXF/DWG/PDF drawings available on our website.



■ Mounting feet for installation of enclosures, PCB and other parts onto a DIN rail. Can be easily detached.

Technical Data
Max load : 3kg

**Components**

No.	Part name	Pcs	Material	Color / Finish
1	Mounting feet	2	Polyamide	White gray
2	Screw (special type 4.2 x 9.5)	4	Screw	Unichrome plated

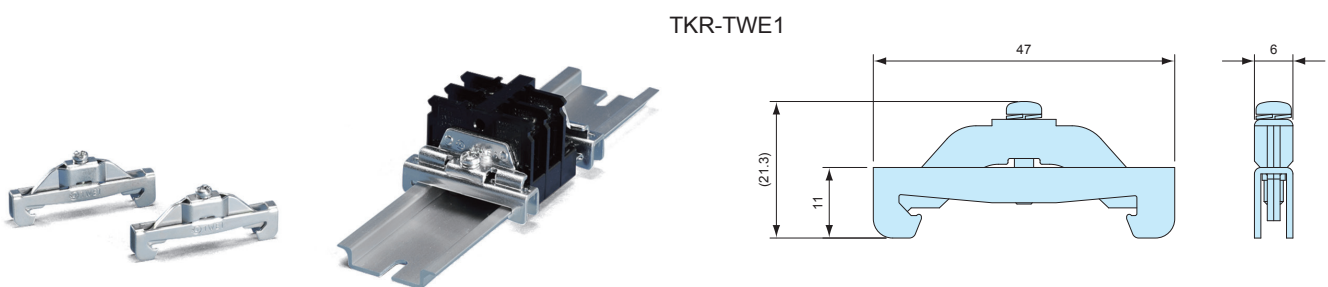
**Product no. / Dimensions**

Product no.	W	a	b	c	d	Pack of
CKD- 80	77	75	66	56	17	2
CKD-120	117	115	106	96	37	2
CKD-160	157	155	147	136	57	2

**TKR SERIES**

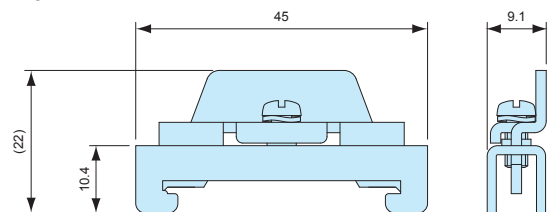
**DIN-RAIL TERMINAL BLOCKS END STOPPER**

■ DXF/DWG/PDF drawings available on our website.



- Stopper bracket for use with 35mm DIN-rail to keep an attachment at a fixed location.
- TKR-TWE1 is used with small DIN rail attachment parts. For larger/higher attachment parts, TKR-JTXE3 is recommended for providing additional support.

**TKR-JTXE3**

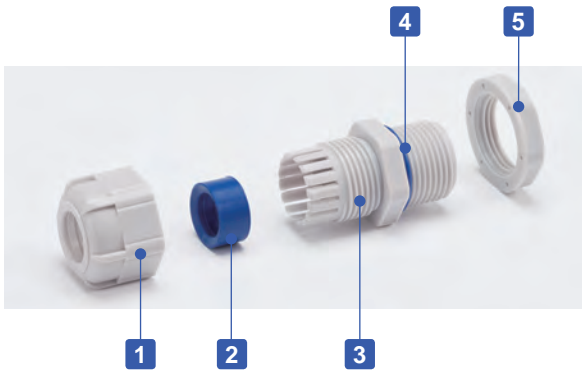


**Product no. / Feature**

Product no.	Material	Color / Finish	Pack of
TKR-TWE1	Steel sheet	Trivalent chromate	2
TKR-JTXE3	Steel sheet	Trivalent chromate	2



- Weatherproof cable gland equipped with high ultraviolet and degradation resistant silicone sealing insert and O-ring.
- Recommended to use outdoors where waterproofing is critical.
- IP67 protection class.



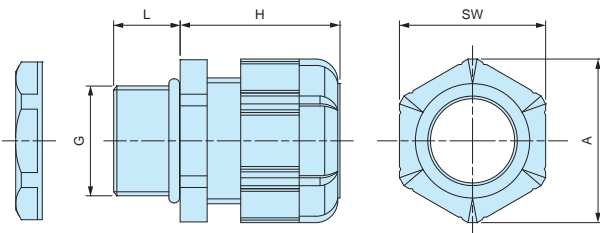
Components

■ PA = Polyamide

No.	Part name	Material
1	Cap	PA66 UL94V-2
2	Sealing insert	Silicone
3	Connector	PA66 UL94V-2
4	O-ring	Silicone
5	Lock nut	PA66 UL94V-2

RMW dimensions

■ DXF/DWG/PDF drawings available on our website.



Technical Data

Protection class: IP67  
Operating temperature: -20°C ~ +80°C

- Lock nut is not included for RMW10S-6.  
Please drill a proper thread hole into the enclosure for installation.

Product no. / Dimensions

Product no.		G		Cable range		L	H Max	SW	A	Pack of
● Black	● Light gray	Thread size	Mounting hole	Min	Max					
RMW8L-2.5B	RMW8L-2.5S	M8x1.25	Φ8.2	1	2.5	13	19.5	11.8	13.5	1
RMW8L-4B	RMW8L-4S	M8x1.25	Φ8.2	2.5	4	13	19.5	11.8	13.5	1
RMW10S-6B	RMW10S-6S	M10x1.5	—	3	6	8	20.5	13	14.4	1
RMW10L-6B	RMW10L-6S	M10x1.5	Φ10.2	3	6	13	20.5	13	14.4	1
RMW12S-7B	RMW12S-7S	M12x1.5	Φ12.2	3.5	7	9	20.5	16	17.6	1
RMW12L-7B	RMW12L-7S	M12x1.5	Φ12.2	3.5	7	14.5	20.5	16	17.7	1
RMW16S-8B	RMW16S-8S	M16x1.5	Φ16.2	4	8	9	23.5	19	21	1
RMW16L-8B	RMW16L-8S	M16x1.5	Φ16.2	4	8	15	24	19	21	1
RMW20S-12B	RMW20S-12S	M20x1.5	Φ20.2	6	12	10	29	24	26.2	1
RMW20L-12B	RMW20L-12S	M20x1.5	Φ20.2	6	12	15	28.5	24	26.2	1
RMW25L-17B	RMW25L-17S	M25x1.5	Φ25.2	11	17	15	35	33	36.2	1
RMW32L-21B	RMW32L-21S	M32x1.5	Φ32.3	13	21	15	38	36	39.5	1
RMW40L-27B	RMW40L-27S	M40x1.5	Φ40.3	18	27	18	43.5	45.7	50.5	1
RMW50L-38B	RMW50L-38S	M50x1.5	Φ50.4	27	38	20	50.5	60	66.5	1
RMW10L-6B-P	RMW10L-6S-P	M10x1.5	Φ10.2	3	6	13	20.5	13	14.4	100
RMW12S-7B-P	RMW12S-7S-P	M12x1.5	Φ12.2	3.5	7	9	20.5	16	17.6	100
RMW12L-7B-P	RMW12L-7S-P	M12x1.5	Φ12.2	3.5	7	14.5	20.5	16	17.7	100
RMW16S-8B-P	RMW16S-8S-P	M16x1.5	Φ16.2	4	8	9	23.5	19	21	100
RMW16L-8B-P	RMW16L-8S-P	M16x1.5	Φ16.2	4	8	15	24	19	21	100
RMW20S-12B-P	RMW20S-12S-P	M20x1.5	Φ20.2	6	12	10	29	24	26.2	100
RMW20L-12B-P	RMW20L-12S-P	M20x1.5	Φ20.2	6	12	15	28.5	24	26.2	100



# RMW series silicone sealing insert weatherproof test report

Object: Cut into a piece of the silicone sealing insert from RMW series and attach it onto an aluminium plate.  
 For comparison, NBR sealing insert from our RM and EPDM sealing insert from another manufacturer is also attached for comparison purposes.



Before



After

### Testing conditions

**Equipment :** 7.5kW Super Xenon Weather Meter SX75 (Suga Test Instruments Co., Ltd.- <http://www.sugatest.co.jp/english/>)  
**Conditions :** JIS B7754 : 1991  
 Testing with an authorized Xenon arc lamp weathering test equipment under the conditions denoted below.  
 Irradiance : 180W/m<sup>2</sup> at 300-400nm  
 Black Panel Temperature : 63±3°C Humidity Range : 50±10%  
 Cycle Conditions : 120 minutes cycle (18 minutes irradiation + water spray - 102 minutes irradiation)  
**Time period :** 2,000 hours (equivalent to a period of 4 years under natural conditions)  
**Total radiant exposure :** 1296MJ/m<sup>2</sup>

### Test result (visual / touch inspection)

**Silicone sealing insert material :** No cracks, no gloss transition, no powder - no appearance change at all. Flexibility remains unchanged.

Before



After



**NBR material from our RM series :** Lost glossiness on the surface and material is stiffened.

Before



After

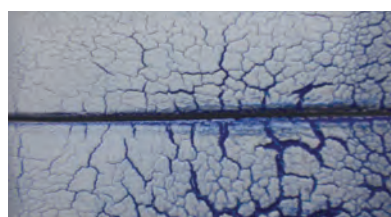


**EPDM material from weatherproof cable gland of another manufacturer :** Cracked, color drastically faded and powder appeared on the surface.

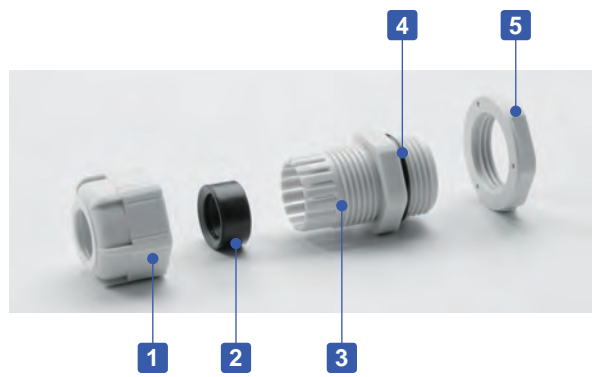
Before



After



# RM series POLYAMIDE CABLE GLAND



- Low cost cable glands made from polyamide material.
- Wide selection, for M8 ~ M63, suitable for  $\Phi 1\text{mm} \sim \Phi 44\text{ mm}$  cable.
- High oil resistant NBR rubber sealing and O-ring.
- IP67 protection class.

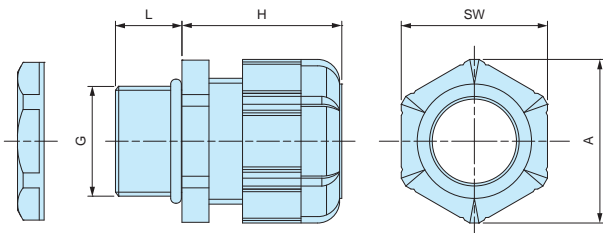
### Components

■ PA = Polyamide

No.	Part name	Material
1	Cap	PA66 UL94V-2
2	Sealing insert	NBR
3	Connector	PA66 UL94V-2
4	O-ring	NBR
5	Lock nut	PA66 UL94V-2

### RM dimensions

■ DXF/DWG/PDF drawings available on our website.



Technical Data
Protection class: IP67
Operating temperature: -20°C ~ +80°C

- Lock nut is not included for RM8S-2.5, 8S-4, and 10S-6 models. Please drill a proper thread hole into the enclosure for installation.

### Product no. / Dimensions

Product no.		G		Cable range		L	H Max	SW	A	Pack of
● Black	● Light gray	Thread size	Mounting hole	Min	Max					
RM8S-2.5B	RM8S-2.5S	M8x1.25	—	1	2.5	7.5	19.5	11.8	13.5	1
RM8L-2.5B	RM8L-2.5S	M8x1.25	$\Phi 8.2$	1	2.5	13	19.5	11.8	13.5	1
RM8S-4B	RM8S-4S	M8x1.25	—	2.5	4	7.5	19.5	11.8	13.5	1
RM8L-4B	RM8L-4S	M8x1.25	$\Phi 8.2$	2.5	4	13	19.5	11.8	13.5	1
RM10S-6B	RM10S-6S	M10x1.5	—	3	6	8	20.5	13	14.4	1
RM10L-6B	RM10L-6S	M10x1.5	$\Phi 10.2$	3	6	13	20.5	13	14.4	1
RM12S-7B	RM12S-7S	M12x1.5	$\Phi 12.2$	3.5	7	9	20.5	16	17.6	1
RM12L-7B	RM12L-7S	M12x1.5	$\Phi 12.2$	3.5	7	14.5	20.5	16	17.7	1
RM16S-8B	RM16S-8S	M16x1.5	$\Phi 16.2$	4	8	9	23.5	19	21	1
RM16L-8B	RM16L-8S	M16x1.5	$\Phi 16.2$	4	8	15	24	19	21	1
RM20S-12B	RM20S-12S	M20x1.5	$\Phi 20.2$	6	12	10	29	24	26.2	1
RM20L-12B	RM20L-12S	M20x1.5	$\Phi 20.2$	6	12	15	28.5	24	26.2	1
RM25L-17B	RM25L-17S	M25x1.5	$\Phi 25.2$	11	17	15	35	33	36.2	1
RM32L-21B	RM32L-21S	M32x1.5	$\Phi 32.3$	13	21	15	38	36	39.5	1
RM40L-27B	RM40L-27S	M40x1.5	$\Phi 40.3$	18	27	18	43.5	45.7	50.5	1
RM50L-38B	RM50L-38S	M50x1.5	$\Phi 50.4$	27	38	20	50.5	60	66.5	1
RM63L-44B	RM63L-44S	M63x1.5	$\Phi 63.4$	37	44	20	53	68	75.5	1
RM10L-6B-P	RM10L-6S-P	M10x1.5	$\Phi 10.2$	3	6	13	20.5	13	14.4	100
RM12S-7B-P	RM12S-7S-P	M12x1.5	$\Phi 12.2$	3.5	7	9	20.5	16	17.6	100
RM12L-7B-P	RM12L-7S-P	M12x1.5	$\Phi 12.2$	3.5	7	14.5	20.5	16	17.7	100
RM16S-8B-P	RM16S-8S-P	M16x1.5	$\Phi 16.2$	4	8	9	23.5	19	21	100
RM16L-8B-P	RM16L-8S-P	M16x1.5	$\Phi 16.2$	4	8	15	24	19	21	100
RM20S-12B-P	RM20S-12S-P	M20x1.5	$\Phi 20.2$	6	12	10	29	24	26.2	100
RM20L-12B-P	RM20L-12S-P	M20x1.5	$\Phi 20.2$	6	12	15	28.5	24	26.2	100
RM25L-17B-P	RM25L-17S-P	M25x1.5	$\Phi 25.2$	11	17	15	35	33	36.2	100



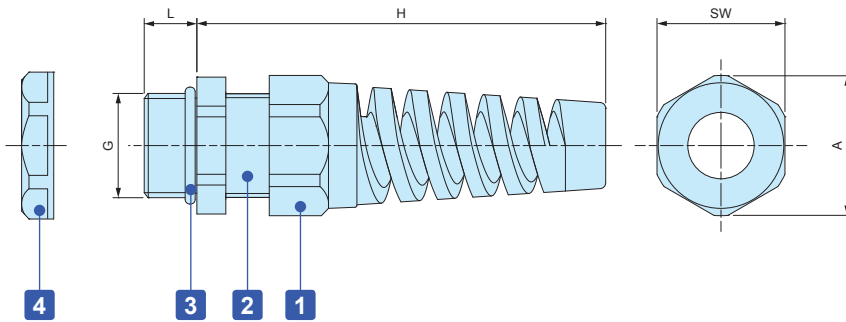
- New sizes added for a total of 14 models available for selection.
- Strain relief cap protects cables by preventing it from bending beyond its limit and breaking.
- Economical price but high waterproofing capability equivalent to IP67.

Technical Data
Protection class : Equivalent to IP67*
Operating temperature : -20°C ~ +80°C

\*In-house test

RSP dimensions

■ DXF/DWG/PDF drawings available on our website.



Components

■ PA = Polyamide

No.	Part name	Material
1	Strain relief cap	PA66 UL94V-2
-	Sealing insert	NBR
2	Connector	PA66 UL94V-2
3	O-ring	NBR
4	Lock nut	PA66 UL94V-2

Product no. / Details

Product no.		G		Cable range		L	H	SW	A	Pack of
● Black	● Light gray	Thread size	Mounting hole	Min	Max					
<b>NEW</b> RSP 8-2.5B	<b>NEW</b> RSP 8-2.5S	M 8×1.25	Φ 8.2	1	2.5	10.5	48	12.1	13.8	1
<b>NEW</b> RSP 8-4B	<b>NEW</b> RSP 8-4S	M 8×1.25	Φ 8.2	2.5	4	10.5	48	12.1	13.8	1
<b>NEW</b> RSP10-6B	<b>NEW</b> RSP10-6S	M10×1.5	Φ10.2	3	6	12.2	54	13.1	14.5	1
RSP12-6B	RSP12-6S	M12×1.5	Φ12.2	3.5	6	9	62	16	17	1
RSP16-8B	RSP16-8S	M16×1.5	Φ16.2	4	8	9	69	19.5	21	1
RSP20-11B	RSP20-11S	M20×1.5	Φ20.2	6	11	10	82	24	26	1
RSP25-16B	RSP25-16S	M25×1.5	Φ25.2	11	16	12	102	33	36	1



- High water protection IP68 (1bar / 30min) polyamide cable gland.
- Wide selection, for M8 ~ M50, suitable for  $\Phi$ 2.5mm ~  $\Phi$ 42 mm cable.
- Super tough and superior heat resistant PA6GF (glass fiber filled PA6) material on cap and connector.
- Safer halogen free, eco-friendly product.

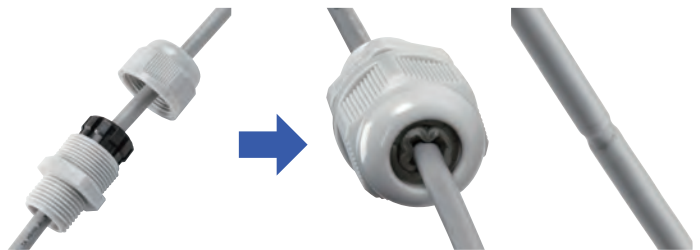
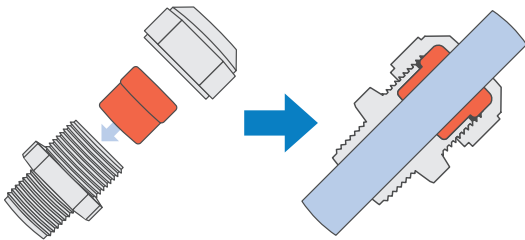
Technical Data
Protection class: IP68 1bar / 30min
Operating temperature: -20°C ~ +100°C
Compliant with EN50262 Ver. A

**AG series**

Thicker sealing insert evenly hold a cable by having a larger holding area. Remains durable even after repeated tightening / loosening.

**Lamellar insert type**

If over-tightened, it can cause the rubber bush or cable to deform, which can allow water to seep in.



**Components**

■ PA6GF = Polyamide6 Glass Fiber Filled

No.	Part name	Material
1	Cap	PA6GF
2	Sealing insert	TPE
3	Connector	PA6GF
4	Lock nut	PA6

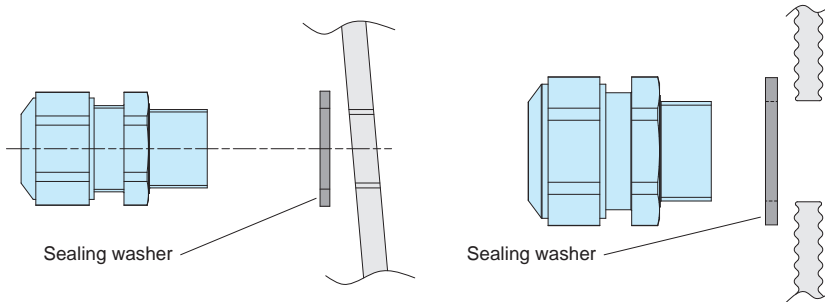
- Lock nut is not included for M8 and M10 sizes. Please drill a proper thread hole into the enclosure for installation.

- Proper tightening torque varies by each cable diameter. Tighten the cap until top of the sealing insert forms a small bead between the cap and the cable.



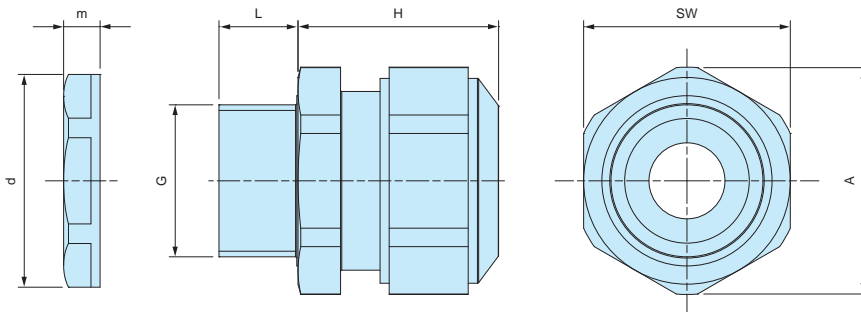
■ No optional sealing washer is required when installing on an even surface because of the built-in waterproof rib.

■ An optional sealing washer is required when installing on an uneven surface. (See website for more information on the optional sealing washer)



**AG dimensions**

■ DXF/DWG/PDF drawings available on our website.



■ Lock nut is not included for M8 and M10 sizes. Please drill a proper thread hole into the enclosure for installation.

**Product no. / Dimensions**

Product no.		G		Cable range		L	H Max	SW	A	d	m	Pack of
● Black	● Light gray	Thread size	Mounting hole	Min	Max							
AG8-3.5B	AG8-3.5S	M8x1.0	—	2.5	3.5	10	17	12	13.2	—	—	1
AG8-5B	AG8-5S	M8x1.0	—	3.5	4.7	10	17	12	13.2	—	—	1
AG10-6B	AG10-6S	M10x1.0	—	4	6	10	19	15	16.5	—	—	1
AG12-5B	AG12-5S	M12x1.5	Φ12.2	3.5	4.7	12	23.5	17	18.7	18.8	5	1
AG12-6.5B	AG12-6.5S	M12x1.5	Φ12.2	5	6.5	12	23	17	18.7	18.8	5	1
AG12-8B	AG12-8S	M12x1.5	Φ12.2	6.5	7.8	12	23	17	18.7	18.8	5	1
AG16-10B	AG16-10S	M16x1.5	Φ16.2	8	10	12	26	21	23.1	24.3	5	1
AG20-15B	AG20-15S	M20x1.5	Φ20.2	11	15	13	27	27	29.7	29	6	1
AG25-16B	AG25-16S	M25x1.5	Φ25.2	12.5	16	13	34	34	37.4	36	6.7	1
AG25-20B	AG25-20S	M25x1.5	Φ25.2	16	20	13	34	34	37.4	36	6.7	1
AG32-25.5B	AG32-25.5S	M32x1.5	Φ32.3	21	25.5	15	36	41	45.6	46	8	1
AG40-28.5B	AG40-28.5S	M40x1.5	Φ40.3	24	28.5	15	41	50	55.4	53.5	9	1
AG40-33B	AG40-33S	M40x1.5	Φ40.3	28.5	33	15	41	50	55.4	53.5	9	1
AG50-37B	AG50-37S	M50x1.5	Φ50.4	33	37	16	45	60	65.5	66	9.6	1
AG50-42B	AG50-42S	M50x1.5	Φ50.4	37	42	16	45	60	65.5	66	9.6	1

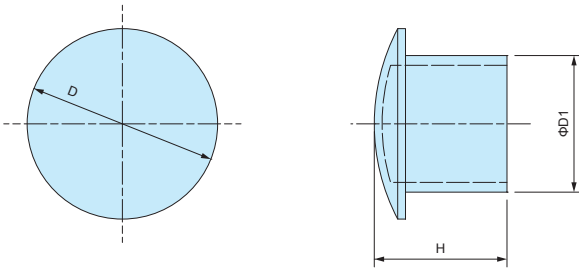


**SP SERIES**

**SEALING PLUG**



**SP dimensions**



■ Material : Nylon

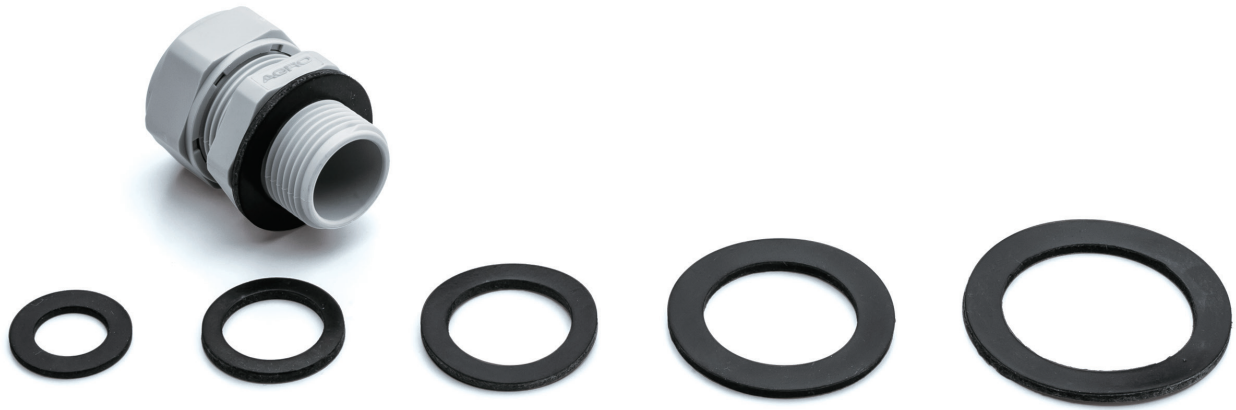
- Sealing plug for cable glands when not in use.
- Maintain a waterproof seal when plugged into the sealing insert on cable glands.

**Product no. / Dimensions**

Product no.	D	D1	H	Suitable cable glands	Pack of
SP-12	10.2	6	15.5	RMW12, RM12, RMW16, RM16, RPG7, RPG9	10
SP-16	15.6	9.5	15.5	RMW20, RM20, RPG11, RPG13.5	10
SP-20	19.6	13.5	16.5	RPG16	10
SP-25	24.4	17.5	17	RMW25, RM25, RMW32, RM32, RPG21	5
SP-40	32.5	24.5	17.5	RMW40, RM40, RPG29	5
SP-50	47.2	38.9	17.6	RMW50, RM50	5

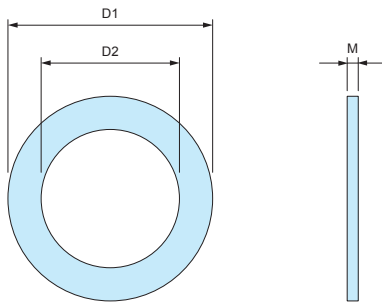
# AGP SERIES

# SEALING WASHER for AG • AGSP

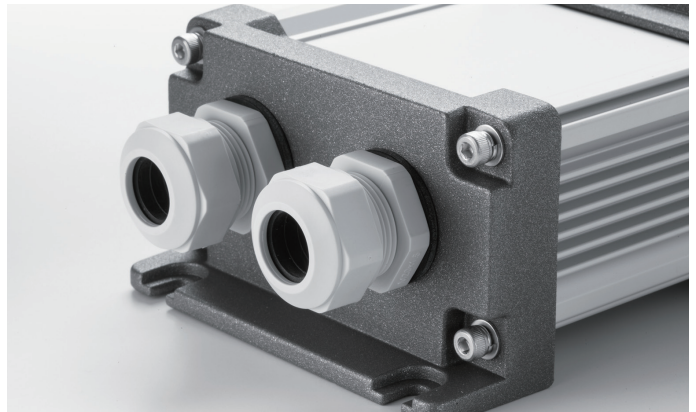


- Sealing washer for AG series.
- Made from oil resistant NBR material.
- Use in the case of installation on a rough or uneven surfaces.
- Selectable in 7 sizes (from M12 to M50)
- Sealing washer is not necessary for installation on flat surfaces.

## AGP Dimensions



- Material : NBR



### Product no. / Dimensions

Product no.	D1	D2	M	Suitable cable gland	Pack of
AGP-12	20	12	1.6	AG12	10
AGP-16	23.5	16.5	2.0	AG16	10
AGP-20	29	20	2.0	AG20	10
AGP-25	37	25	2.0	AG25	10
AGP-32	44	32	2.2	AG32	5
AGP-40	52	40	2.2	AG40	5
AGP-50	64	50	3.1	AG50	5