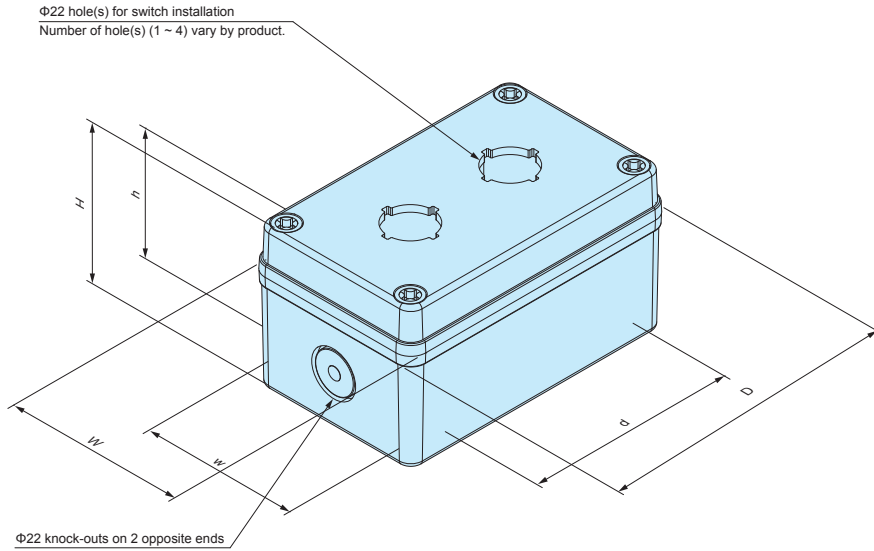
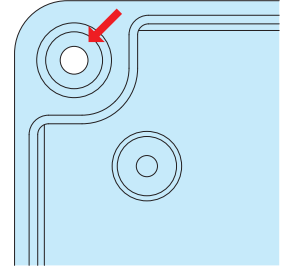


BCSB dimensions

■ DXF/DWG/PDF drawings available on our website.



■ Wall mounting without an optional wall mounting bracket is possible through inserting the wall mount screw directly into the cover screw hole on the base part.



Product no. / Dimensions

Product no.	External dimensions			Internal dimensions			Switch hole(s)	Knock-outs	Weight (g)
	W	D	H	w	d	h			
BCSB081107-2201G	80	110.5	70.3	67	67	55.8	Φ22 x 1	Φ22 x 2	204
BCSB081307-2202G	80.5	130.5	70	67	87	55.6	Φ22 x 2	Φ22 x 2	222
BCSB081807-2203G	80	180	70.5	67	137	56.3	Φ22 x 3	Φ22 x 2	278
BCSB082507-2204G	80	250	71	67	207	56.3	Φ22 x 4	Φ22 x 2	364

Accessories (Optional parts)

B131210G

EXCLUSIVE CABLE GLAND for BCSB



■ Exclusive cable gland for Φ22 knock-outs on BCSB series switch box.

■ The PG13.5 thread (Φ20.5) is a little smaller than Φ22 hole but is compatible for the Φ22 knock-out hole.

■ Install B131210G into the very center of the Φ22 knock-out hole.

■ Cap and connector are made from PA66 material, light gray color type. Sealing insert and O-ring are made from NBR material, black color type.

Technical Data

Protection class : IP65
Operating temperature : -20°C ~ +75°C



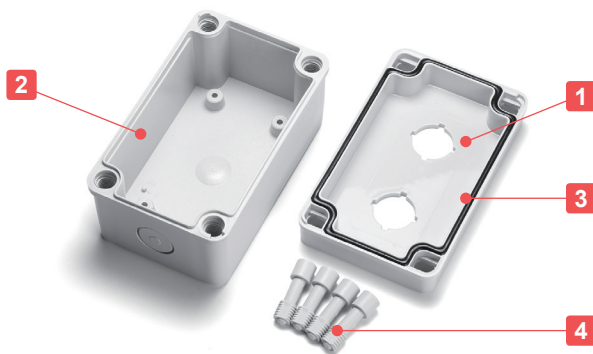
Product no. / Dimensions

Product no.	Cable range		Suitable models	Weight (g)
	Min	Max		
B131210G	7	11	BCSB series	12.7

■ DXF/DWG/PDF drawings available on our website.



Technical Data	
Protection class : IP65	{ Waterproof switch Exclusive cable gland } required
Operating Temperature : -20°C ~ +75°C	
Recommended torque : 1N · m ~ 1.5N · m	



- IP65 switch box with 1 ~ 4 $\Phi 22$ hole(s) on the top cover.
- Made from flame retardant UL94V-0 high heat resistant polycarbonate material.
- $\Phi 22$ knock-outs on 2 opposite ends for easy wiring access if required.
- Exclusive cable gland, B131210G for $\Phi 22$ knock-outs is available as optional parts.
- IP65 protection class is maintained with waterproof switches and the exclusive cable glands installed.
- Yellow/Black color types available as BTO (built-to-order) at a MOQ of 500 pcs. For custom color order, the material would be changed to ABS UL94HB, with an operating temperature of -10°C ~ +60°C.

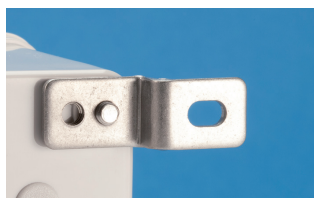
Components

No.	Part name	Pcs	Material	Color / Finish
1	Top cover	1	Polycarbonate UL94V-0	Light gray
2	Base	1	Glass fiber filled polycarbonate UL94V-0	Light gray
3	Gasket	1	Polyurethane	Black
4	Cover screw	4	Glass fiber filled nylon	White gray

Accessories (Optional parts)



Exclusive cable gland B131210G
See page 330



Stainless steel mounting bracket CK-34Z
See website



Spare cover screw CB20
See website



PCB mounting screw MT4-8T
See page 320