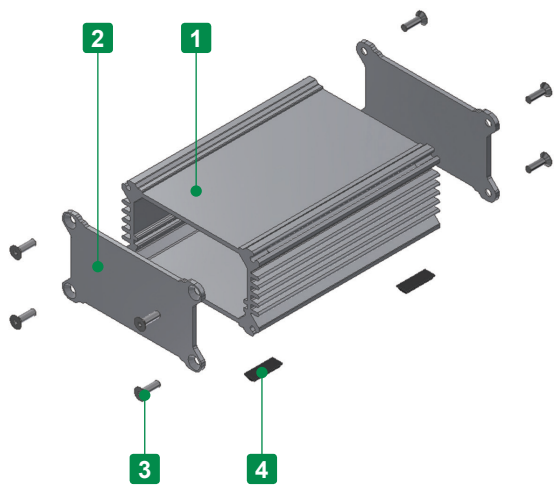


# AWAS SERIES

# CUSTOM SIZED HEATSINK ALUMINIUM ENCLOSURE



- Conductivity is achieved by utilizing the contact between the unfinished end panels side, and the unfinished ends of the frame.
- Selectable in 8 different Width / Height types, with adjustable length (depth) in 1mm intervals from 50 to 700mm.
- PCB or chassis can be horizontally mounted by sliding into an inner-grooved body frame.
- Suitable for industrial fanless PC, measuring instrument, digital audio amplifier and so on.

Included screws :

AWAS 52-32-□, 61-61-□, 76-41-□ models : Hex countersunk M3-8 x 8 pcs

AWAS 82-82-□, 102-52-□, 116-67-□, 152-77-□ models : Hex countersunk M4-10 x 8 pcs

AWAS 202-77-□ models : Hex countersunk M5-10 x 8 pcs

※Hexagonal wrench included

### Components

No.	Part name	Pcs	Material	Color / Finish
1	Body frame	1	Extruded aluminium A6063S-T5	Silver / Anodized
2	End panel	2	Aluminium A1050P	Silver / Anodized (outside) : Unfinished (inside)
3	Hex socket screw	8	Stainless steel	Unfinished
4	Rubber feet	4	Polyurethane	Black

### Confirm Product No.

Confirm product no. with **1** values on page AWAS-2.

Product no. AWAS

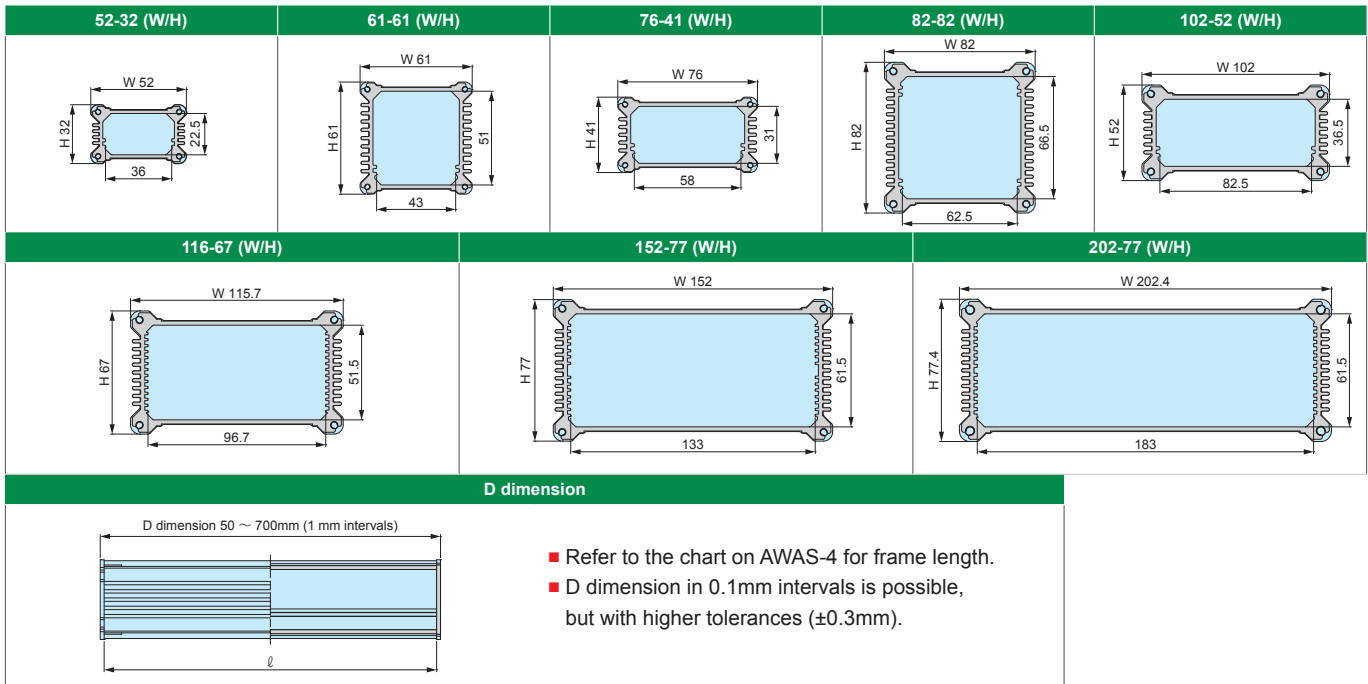
-  -  SS  
**W      H                                  D                  Color Code**

Example : W/H = 102-52, D = 321mm

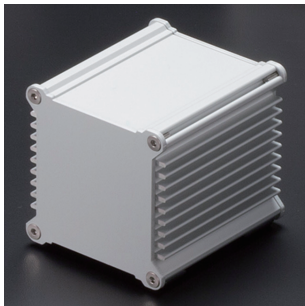
AWAS      -      SS

# 1 Specify Dimensions

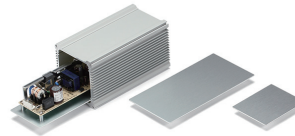
Specify W/H dimensions from the below chart, and D dimension in 1mm intervals.



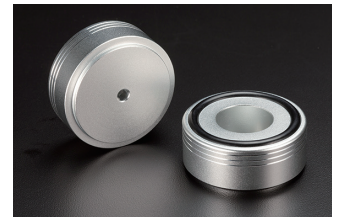
Only SS (Silver / Silver) color type is available for the AWAS series.



## Accessories (Optional parts)



Mounting plate AWSC series  
See page AWSC-1



Aluminium isolation feet AFS • AFM series  
See page AFS • AFM-1 ~ AFS • AFM-2

### Lead time

Custom Size Only

4 business days (1 ~ 10 pcs)

Custom Size + Hole Milling

10 business days (1 ~ 10 pcs)

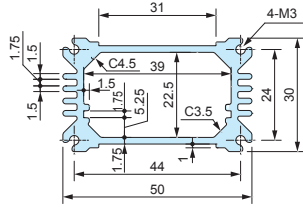
### Order Inquiry

For more information, contact us here at [sales@takachi-el.co.jp](mailto:sales@takachi-el.co.jp)

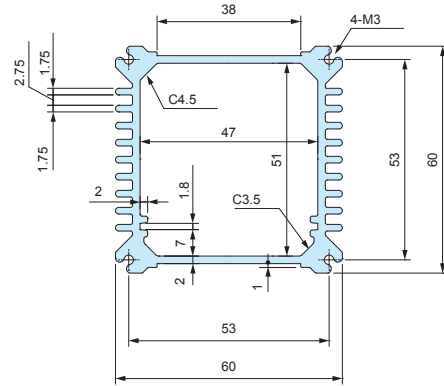
**AWAS frame**

■ Drawings below are reference examples only.  
DXF/DWG/PDF drawings available on our website.

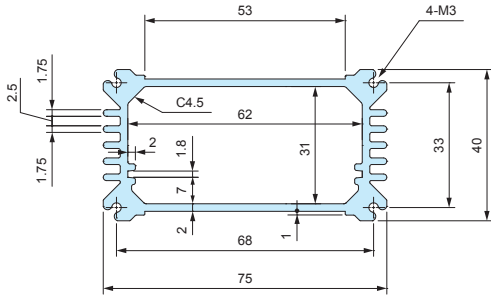
AWAS52-32-□



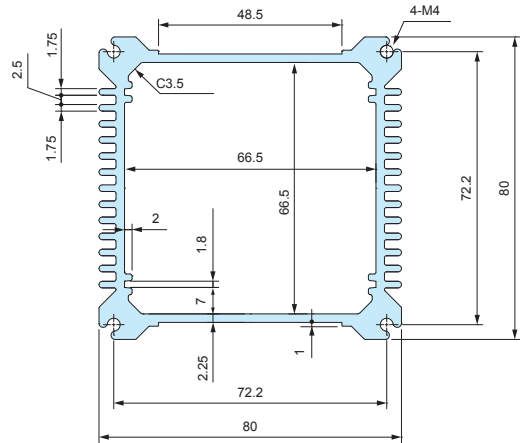
AWAS61-61-□



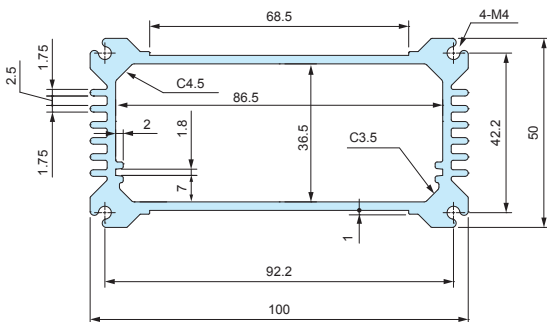
AWAS76-41-□



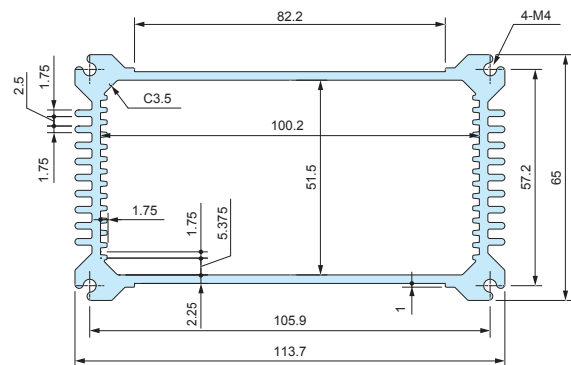
AWAS82-82-□



AWAS102-52-□

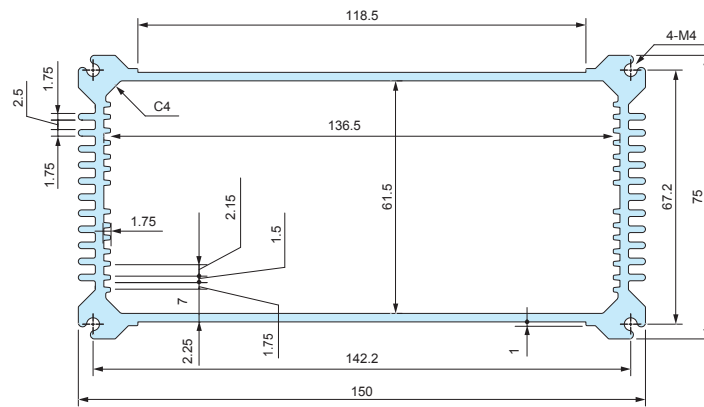


AWAS116-67-□

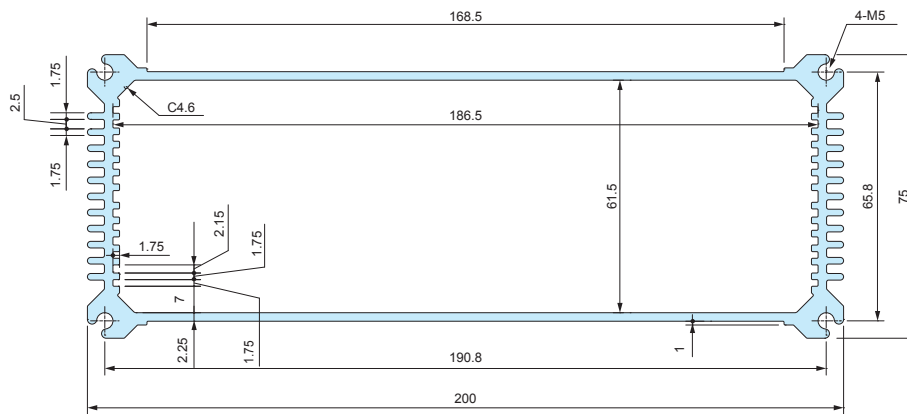


■ Drawings below are reference examples only.  
DXF/DWG/PDF drawings available on our website.

AWAS152-77-□



AWAS202-77-□



Product no.	Frame length (ℓ)
AWAS52-32-□	D-4
AWAS61-61-□	D-4
AWAS76-41-□	D-4
AWAS82-82-□	D-5
AWAS102-52-□	D-5
AWAS116-67-□	D-5
AWAS152-77-□	D-5
AWAS202-77-□	D-6