

AU series

NEXT GENERATION Aluminium Case

The perfect unity of flexibility, versatility, and appearance!



4 Distinct Models for Different Applications

Standard Model AU series

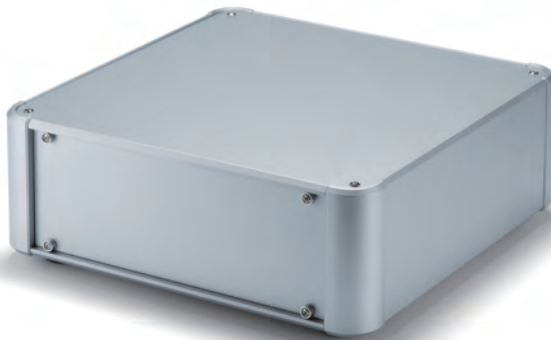
Standard model with front/rear sheet aluminium panels.



See page 151 ~ 154

Detachable Panel Model AUP series

Easy maintenance with detachable front/rear panels.
An EMC shielded AUPE series is also available.



See page 155 ~ 162

Control Box Model AUX series

Structure of extruded aluminium frames on 4 sides.

Suitable for control box use.

EMC shielded AUXE series is also available.



See page 163 ~ 170

Corner Guard Model AUG series

TPE Corner guard model.
An EMC shielded AUGE series is also available.



See page 171 ~ 178

Providing versatile and flexible enclosing solutions

The aluminium case AU series has an assembly-type structure which allows it to be easily customizable. Both versatile and flexible, it is designed to be used as various devices from the classic audio amplifiers to next-gen IoT devices. Select from a huge line-up of 172 different sizes based on your application type and ideas.

Measuring Equipment



Command Panel



Fiber Optic Transmitter



Industrial Embedded PC



IoT Gateway

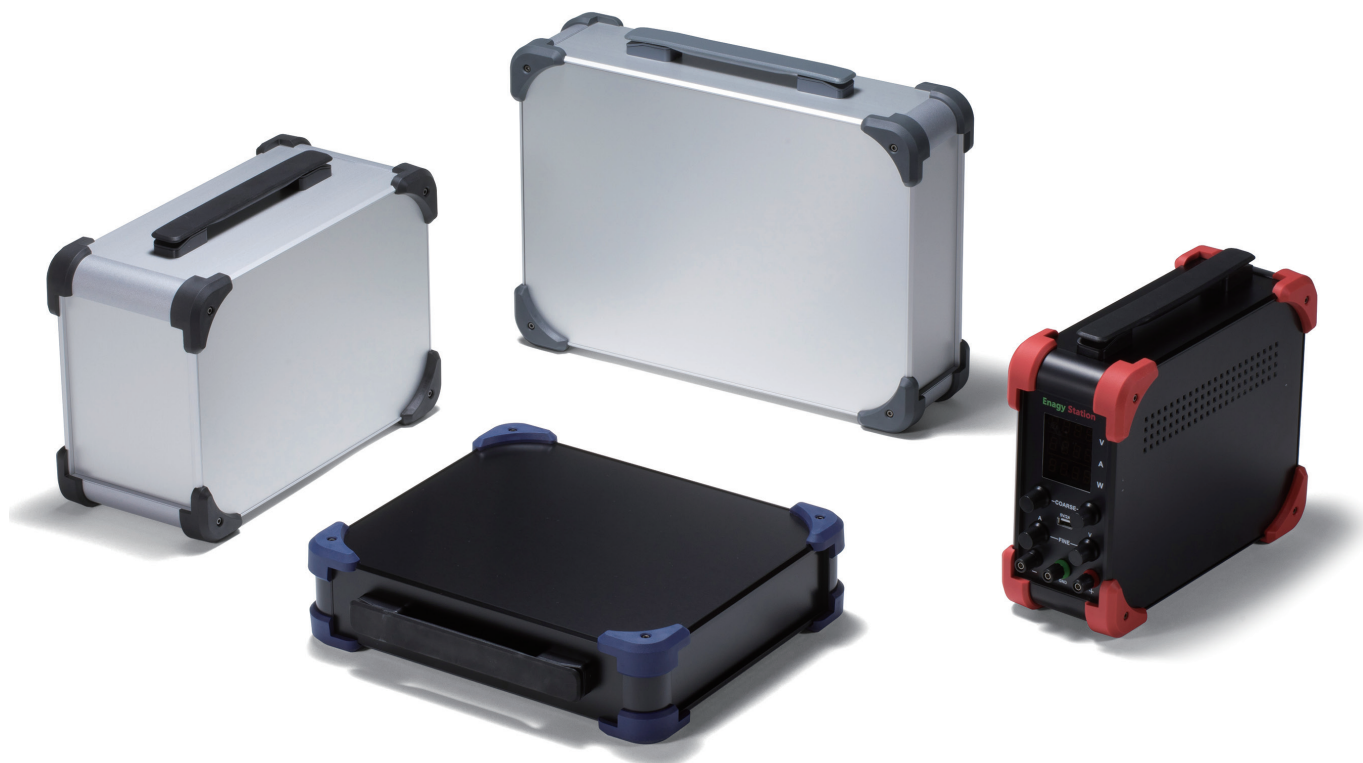


Power Supply

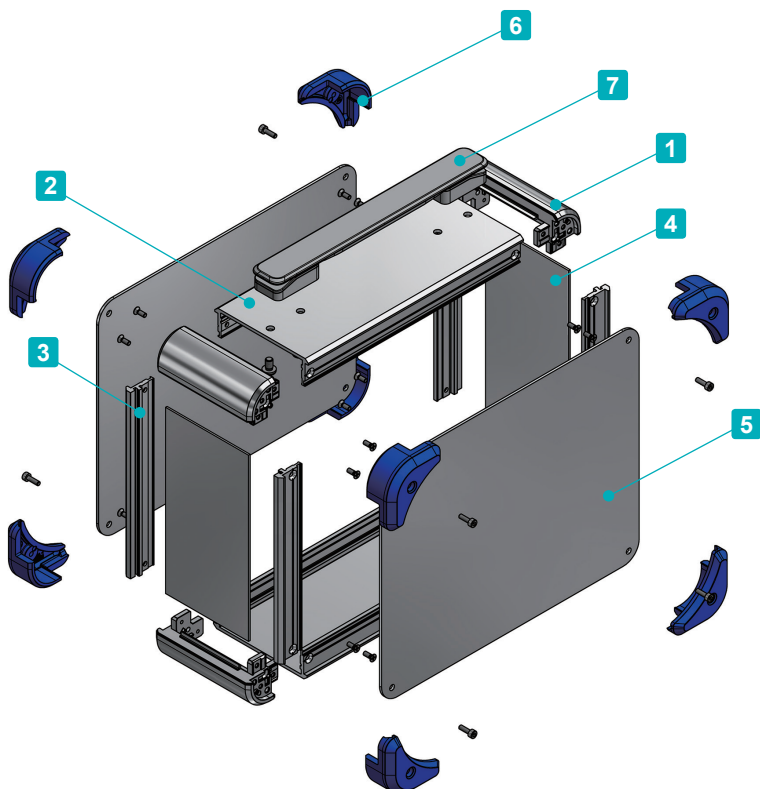


Audio Amplifier





- Rugged design aluminium enclosure with carrying handle that can withstand a maximum load of up to 20.0 kg.
- TPE (Elastomer) corner guards are elastic and also act as non-slip rubber feet.
- A large selection of 108 different sizes to choose from.
- A total of 12 selectable color combinations with 4 corner guard colors - Black, Gray, Navy and Red -, 2 handle colors - Black and Gray-, and 2 enclosure colors - Silver and Black anodized-.
- Versatile aluminium case suitable for use as measuring instrument, controller, industrial embedded computer, power supply, audio amplifier, and so on.



Included screws

- Top / Bottom cover (not applicable to some models)
M3-5 original trapezoid head (hex) & Nickel plated / Black trivalent chromate x 4~8 pcs
- Frame / Panel support frame
M3-8 flat head & Nickel plated x 16 pcs
- Corner guard
M3-10 hex & Black trivalent chromate x 8 pcs
- * Hex wrench included.
- Carrying handle
M5-8 pan head self-tapping screw & Black trivalent chromate x 4 pcs

Recommended torque : $\left\{ \begin{array}{l} \text{M3-10 hex} - 0.2\text{N} \cdot \text{m} \\ \text{M5-8 pan head self-tapping screw} - 1.5\text{N} \cdot \text{m} \\ \text{Other screws} - 0.3 \sim 0.6\text{N} \cdot \text{m} \end{array} \right.$

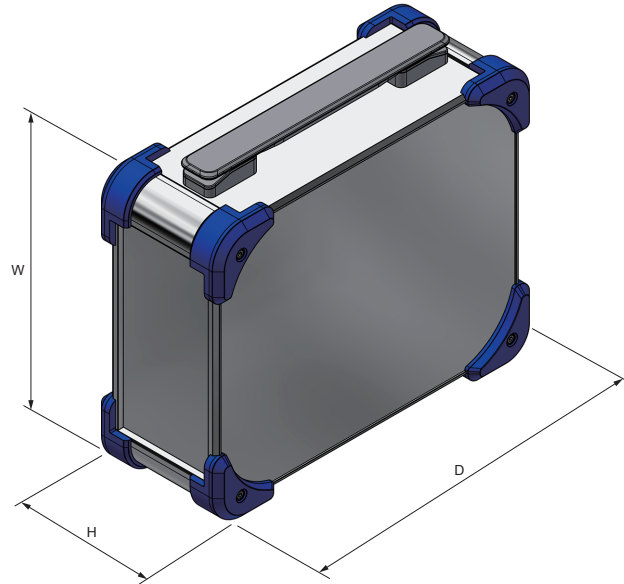
* Recommended torque listed is for reference only; actual may differ. Assemble after testing torque.

Components

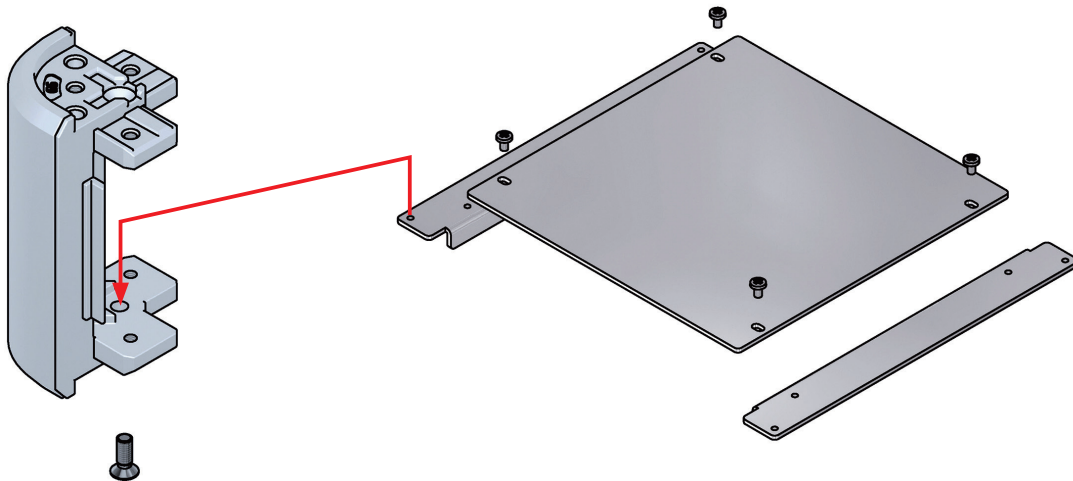
No.	Part name	Pcs	Material	Color / Finish
1	Corner block	4	Diecast aluminium ADC12	Silver • Black / Painted (Unfinished inside)
2	Frame	2	Extruded aluminium A6063S-T5	Silver • Black / Anodized
3	Panel support frame	4	Extruded aluminium A6063S-T5	Silver • Black / Anodized
4	Panel	2	Aluminium A1100P	Silver • Black / Anodized
5	Top • bottom cover	2	Aluminium A1100P	Silver • Black / Anodized
6	Corner guard	8	TPE (Elastomer)	Black • Gray • Navy • Red
7	Carrying handle	1	PU • PA6 • ABS • SWCH • Steel	Black • Gray

AUGH dimensions

■ DXF/DWG/PDF/STP drawings available on our website.



■ Mounting of a PCB or optional mounting plate is made easy through the use of the through-holes inside the aluminium diecast corner block. See page 180 for how to install mounting plate.



Accessories (Optional parts)



Mounting plate AUC series
See page 179 ~ 180

Color Type Please choose from the color combinations listed below.

S B B

(Silver / Black / Black)



S G B

(Silver / Gray / Black)



S N B

(Silver / Navy / Black)



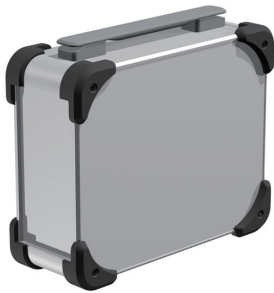
S R B

(Silver / Red / Black)



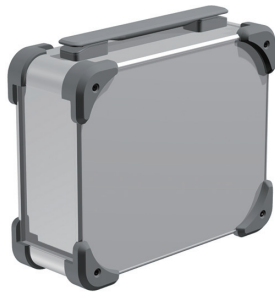
S B G

(Silver / Black / Gray)



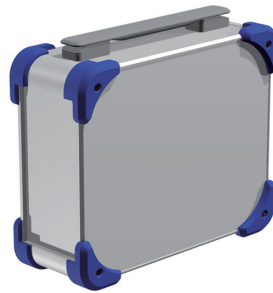
S G G

(Silver / Gray / Gray)



S N G

(Silver / Navy / Gray)



S R G

(Silver / Red / Gray)



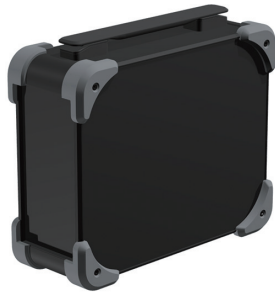
B B B

(Black / Black / Black)



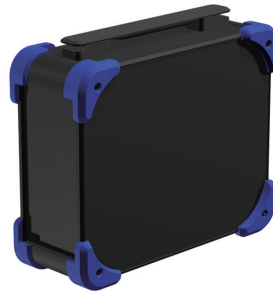
B G B

(Black / Gray / Black)



B N B

(Black / Navy / Black)



B R B

(Black / Red / Black)



Product Number

To determine a product number, please suffix Color code at the end of product number.

AUGH



H-W-D dimensions

See page 174 for dimensions / product no.

Color

- SBB / SGB / SNB / SRB
- SBG / SGG / SNG / SRG
- BBB / BGB / BNB / BRB

Numbering example :

If looking at "H100 x W258 x D368mm, Color type SRG"

➔ AUGH 88-25-36-SRG

Product no. / Details

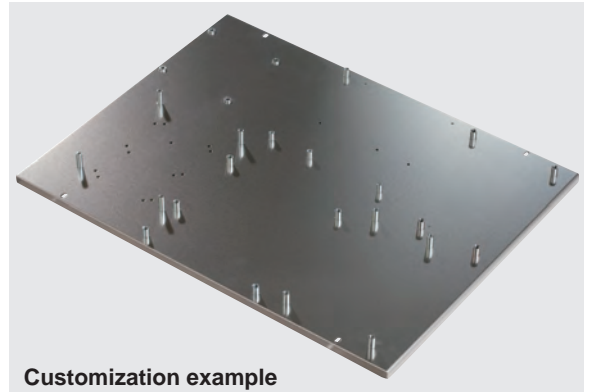
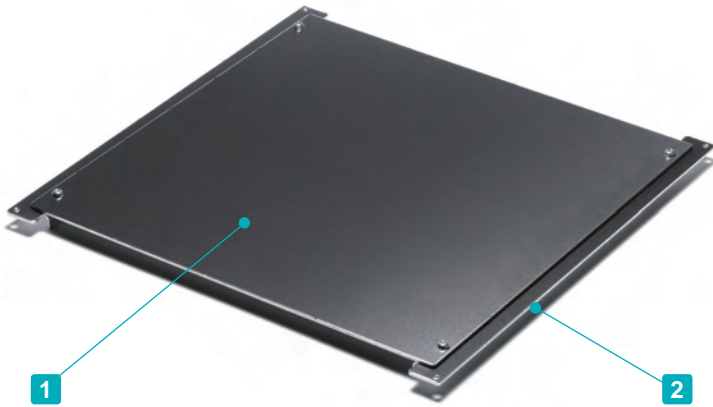
■ Please suffix color code at the end of the product number.

Product no.	H	W	D	Weight (kg)
AUGH 44-16-25-□□□	56	168	258	1.0
AUGH 44-16-30-□□□	56	168	308	1.2
AUGH 44-16-36-□□□	56	168	368	1.3
AUGH 44-20-25-□□□	56	208	258	1.2
AUGH 44-20-30-□□□	56	208	308	1.3
AUGH 44-20-36-□□□	56	208	368	1.5
AUGH 44-25-25-□□□	56	258	258	1.3
AUGH 44-25-30-□□□	56	258	308	1.5
AUGH 44-25-36-□□□	56	258	368	1.7
AUGH 44-30-25-□□□	56	308	258	1.5
AUGH 44-30-30-□□□	56	308	308	1.7
AUGH 44-30-36-□□□	56	308	368	2.0
AUGH 44-36-25-□□□	56	368	258	1.7
AUGH 44-36-30-□□□	56	368	308	2.0
AUGH 44-36-36-□□□	56	368	368	2.4
AUGH 66-16-25-□□□	78	168	258	1.2
AUGH 66-16-30-□□□	78	168	308	1.3
AUGH 66-16-36-□□□	78	168	368	1.5
AUGH 66-16-43-□□□	78	168	438	1.9
AUGH 66-20-25-□□□	78	208	258	1.3
AUGH 66-20-30-□□□	78	208	308	1.5
AUGH 66-20-36-□□□	78	208	368	1.7
AUGH 66-20-43-□□□	78	208	438	2.0
AUGH 66-25-25-□□□	78	258	258	1.5
AUGH 66-25-30-□□□	78	258	308	1.7
AUGH 66-25-36-□□□	78	258	368	2.0
AUGH 66-25-43-□□□	78	258	438	2.3
AUGH 66-30-25-□□□	78	308	258	1.7
AUGH 66-30-30-□□□	78	308	308	2.0
AUGH 66-30-36-□□□	78	308	368	2.2
AUGH 66-30-43-□□□	78	308	438	2.6
AUGH 66-30-50-□□□	78	308	508	2.9
AUGH 66-36-25-□□□	78	368	258	2.0
AUGH 66-36-30-□□□	78	368	308	2.2
AUGH 66-36-36-□□□	78	368	368	2.5
AUGH 66-36-43-□□□	78	368	438	2.9
AUGH 66-36-50-□□□	78	368	508	3.3
AUGH 66-43-25-□□□	78	438	258	2.3
AUGH 66-43-30-□□□	78	438	308	2.6
AUGH 66-43-36-□□□	78	438	368	2.9
AUGH 66-43-43-□□□	78	438	438	3.3
AUGH 66-43-50-□□□	78	438	508	3.8
AUGH 66-50-30-□□□	78	508	308	2.9
AUGH 66-50-36-□□□	78	508	368	3.3
AUGH 66-50-43-□□□	78	508	438	3.8
AUGH 66-50-50-□□□	78	508	508	4.2
AUGH 88-16-25-□□□	100	168	258	1.3
AUGH 88-16-30-□□□	100	168	308	1.5
AUGH 88-16-36-□□□	100	168	368	1.7
AUGH 88-16-43-□□□	100	168	438	2.0
AUGH 88-20-25-□□□	100	208	258	1.5
AUGH 88-20-30-□□□	100	208	308	1.7
AUGH 88-20-36-□□□	100	208	368	1.9
AUGH 88-20-43-□□□	100	208	438	2.2

Product no.	H	W	D	Weight (kg)
AUGH 88-25-25-□□□	100	258	258	1.7
AUGH 88-25-30-□□□	100	258	308	1.7
AUGH 88-25-36-□□□	100	258	368	2.2
AUGH 88-25-43-□□□	100	258	438	2.5
AUGH 88-30-25-□□□	100	308	258	1.9
AUGH 88-30-30-□□□	100	308	308	2.1
AUGH 88-30-36-□□□	100	308	368	2.4
AUGH 88-30-43-□□□	100	308	438	2.8
AUGH 88-30-50-□□□	100	308	508	3.1
AUGH 88-36-25-□□□	100	368	258	2.1
AUGH 88-36-30-□□□	100	368	308	2.4
AUGH 88-36-36-□□□	100	368	368	2.7
AUGH 88-36-43-□□□	100	368	438	3.2
AUGH 88-36-50-□□□	100	368	508	3.5
AUGH 88-43-25-□□□	100	438	258	2.4
AUGH 88-43-30-□□□	100	438	308	2.8
AUGH 88-43-36-□□□	100	438	368	3.1
AUGH 88-43-43-□□□	100	438	438	3.6
AUGH 88-43-50-□□□	100	438	508	4.0
AUGH 88-50-30-□□□	100	508	308	3.1
AUGH 88-50-36-□□□	100	508	368	3.5
AUGH 88-50-43-□□□	100	508	438	4.0
AUGH 88-50-50-□□□	100	508	508	4.5
AUGH133-16-25-□□□	144.5	168	258	1.6
AUGH133-16-30-□□□	144.5	168	308	1.8
AUGH133-16-36-□□□	144.5	168	368	2.1
AUGH133-16-43-□□□	144.5	168	438	2.5
AUGH133-20-25-□□□	144.5	208	258	1.8
AUGH133-20-30-□□□	144.5	208	308	2.0
AUGH133-20-36-□□□	144.5	208	368	2.3
AUGH133-20-43-□□□	144.5	208	438	2.7
AUGH133-25-25-□□□	144.5	258	258	2.0
AUGH133-25-30-□□□	144.5	258	308	2.3
AUGH133-25-36-□□□	144.5	258	368	2.6
AUGH133-25-43-□□□	144.5	258	438	3.0
AUGH133-30-25-□□□	144.5	308	258	2.2
AUGH133-30-30-□□□	144.5	308	308	2.5
AUGH133-30-36-□□□	144.5	308	368	2.9
AUGH133-30-43-□□□	144.5	308	438	3.3
AUGH133-30-50-□□□	144.5	308	508	3.7
AUGH133-36-25-□□□	144.5	368	258	2.5
AUGH133-36-30-□□□	144.5	368	308	2.8
AUGH133-36-36-□□□	144.5	368	368	3.2
AUGH133-36-43-□□□	144.5	368	438	3.7
AUGH133-36-50-□□□	144.5	368	508	4.2
AUGH133-43-25-□□□	144.5	438	258	2.9
AUGH133-43-30-□□□	144.5	438	308	3.2
AUGH133-43-36-□□□	144.5	438	368	3.6
AUGH133-43-43-□□□	144.5	438	438	4.2
AUGH133-43-50-□□□	144.5	438	508	4.7
AUGH133-50-30-□□□	144.5	508	308	3.6
AUGH133-50-36-□□□	144.5	508	368	4.0
AUGH133-50-43-□□□	144.5	508	438	4.6
AUGH133-50-50-□□□	144.5	508	508	5.2

AUC series

MOUNTING PLATE for AU□ series



Customization example

■ See page CUSTOM-9 ~ CUSTOM-11 and our website for further details.

■ Mounting plate for AU, AUP, AUPE, AUX, AUXE, AUG and AUGE series.

Components

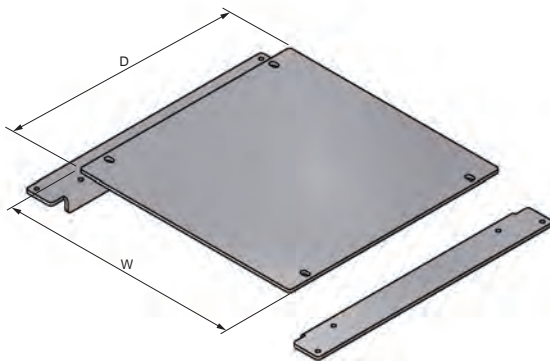
No.	Part name	Pcs	Material	Finish
1	Mounting plate	1	Aluminium A1050P t=2.0	Unfinished
2	L-bracket	2	Aluminium A1050P t=2.0	Unfinished

Included screw :

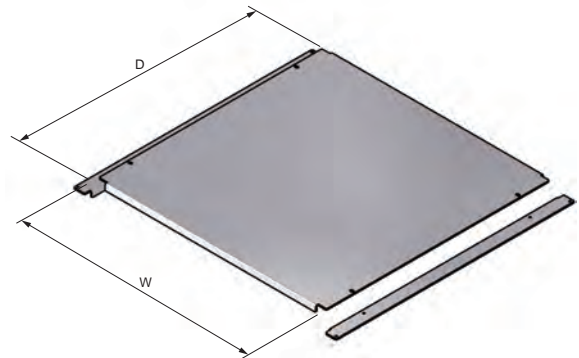
- Corner block M3 flat head : Nickel plated x 4
- Mounting plate M3-5 pan head : Trivalent chromate x 4

AUC dimensions

Non-reinforced (N) type



Reinforced (Y) type



■ DXF/DWG/PDF drawings available on our website.

Product no. / Dimensions

Product no.	W	D	Enclosure W x D	Reinforce ment	Weight (g)
AUC16-16	108	108	160×160	N	102
AUC16-20	108	148	160×200	N	138
AUC16-25	108	198	160×250	N	181
AUC16-30	108	248	160×300	N	226
AUC20-16	148	108	200×160	N	126
AUC20-20	148	148	200×200	N	170
AUC20-25	148	198	200×250	N	224
AUC20-30	148	248	200×300	N	279
AUC20-36	148	308	200×360	N	345
AUC20-43	148	378	200×430	N	422
AUC25-16	198	108	250×160	N	155
AUC25-20	198	148	250×200	N	210
AUC25-25	198	198	250×250	N	278
AUC25-30	198	248	250×300	N	346
AUC25-36	198	308	250×360	N	428
AUC25-43	198	378	250×430	N	524
AUC30-16	248	108	300×160	N	184
AUC30-20	248	148	300×200	N	249
AUC30-25	248	198	300×250	N	331
AUC30-30	248	248	300×300	N	413
AUC30-36	248	308	300×360	N	512

Product no.	W	D	Enclosure W x D	Reinforce ment	Weight (g)
AUC30-43	248	378	300×430	N	626
AUC30-50	248	448	300×500	N	741
AUC36-20	308	148	360×200	N	297
AUC36-25	308	198	360×250	N	395
AUC36-30	308	248	360×300	N	494
AUC36-36	308	308	360×360	N	581
AUC36-43	308	378	360×430	N	749
AUC36-50	308	448	360×500	N	886
AUC43-20	378	148	430×200	Y	353
AUC43-25	378	198	430×250	Y	470
AUC43-30	378	248	430×300	Y	587
AUC43-36	378	308	430×360	Y	728
AUC43-43	378	378	430×430	Y	918
AUC43-50	378	448	430×500	Y	1,082
AUC50-30	448	248	500×300	Y	681
AUC50-36	448	308	500×360	Y	814
AUC50-43	448	378	500×430	Y	1,061
AUC50-50	448	448	500×500	Y	1,257
AUC60-36	548	308	600×360	Y	1,021
AUC60-43	548	378	600×430	Y	1,279

How to install AUC mounting plate

1. Install L-bracket onto countersunk screw hole on corner block.

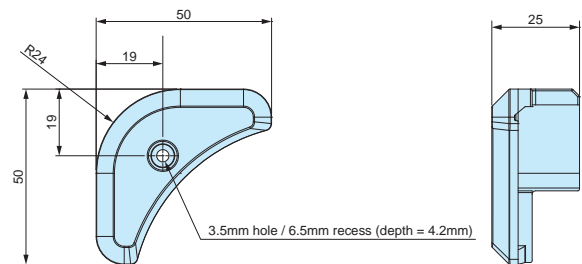
2. Install mounting plate onto L-bracket with screws.



AUCG series CORNER GUARD for AU□ series ★ ★ NEW



AUCG dimensions



■ DXF/DWG/PDF drawings available on our website.

- Spare corner guard for AUG and AUGE series. AUCG corner guard can also be installed on AU, AUP, AUPE, AUX, and AUXE series enclosures.
- 4 colors available: Black, Gray, Navy, and Red. Retailed as a pack of 8pcs.

Product no.

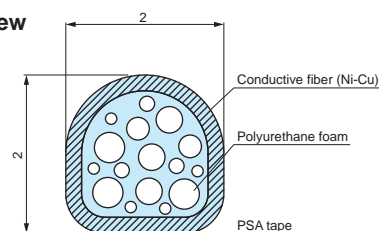
Product no.				Weight (g)	Pack of
● Black	● Gray	● Navy	● Red		
AUCG-1B	AUCG-1G	AUCG-1N	AUCG-1R	9.5	8

AEG series EMC SHIELDING GASKET for AU□ series ★ ★ NEW



- Spare EMC shielding gasket for AUPE, AUXE, and AUGE series enclosures. Installation on AUP series is possible to allow it to be EMC shielded.

Cross section view

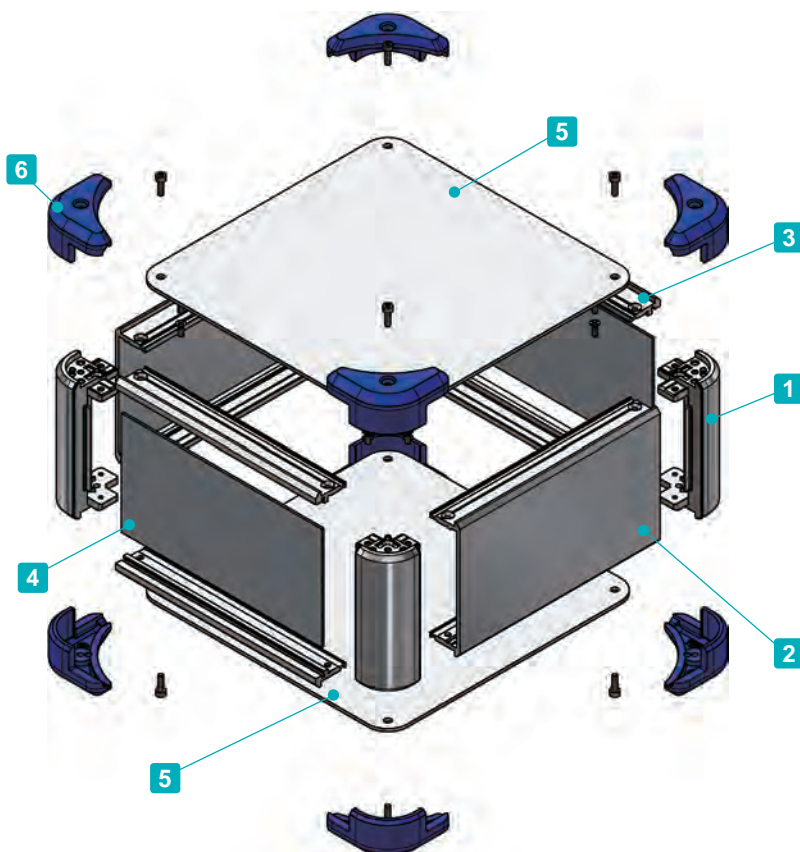


Product no.

Product no.	Material	Color	Sales unit
AEG-1000	Conductive fiber UL94V-0	Metallic gray	1000mm x 1 pc



- Rugged design aluminium enclosure with TPE (Elastomer) corner guards. Corner guards also act as non-slip rubber feet.
- A large selection of 117 different sizes to choose from.
- A total of 8 selectable color combinations with 4 corner guard colors - Black, Gray, Navy and Red - and 2 enclosure colors - Silver and Black anodized.
- Versatile aluminium case suitable for use as measuring instrument, controller, industrial embedded computer, power supply, audio amplifier, and so on.



Included screws

- Top / Bottom cover (not applicable to some models)
M3-5 original trapezoid head (hex) &
Nickel plated / Black trivalent chromate x 4-8 pcs
- Frame / Panel support frame
M3-8 flat head & Nickel plated x 16 pcs
- Corner guard
M3-10 hex & Black trivalent chromate x 8 pcs
- * Hex wrench included.

Recommended torque : $\begin{cases} \text{M3-10 hex} - 0.2\text{N} \cdot \text{m} \\ \text{Other screws} - 0.3 \sim 0.6\text{N} \cdot \text{m} \end{cases}$

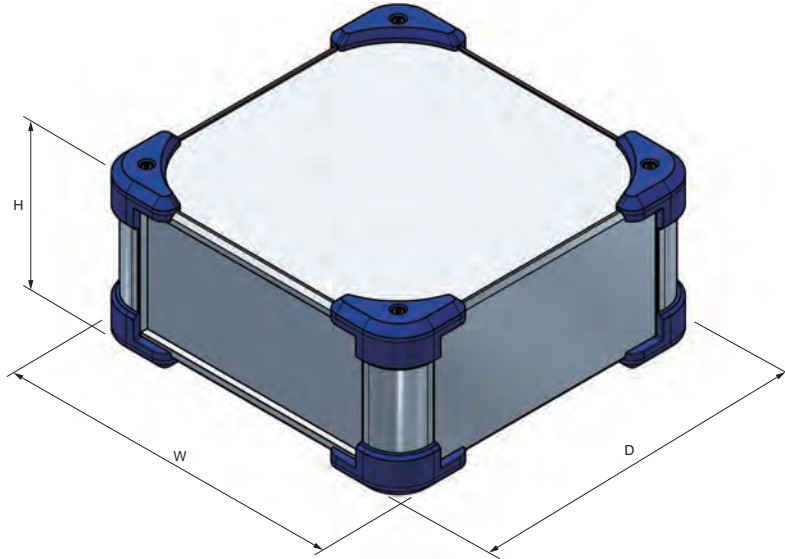
* Recommended torque listed is for reference only; actual may differ. Assemble after testing torque.

Components

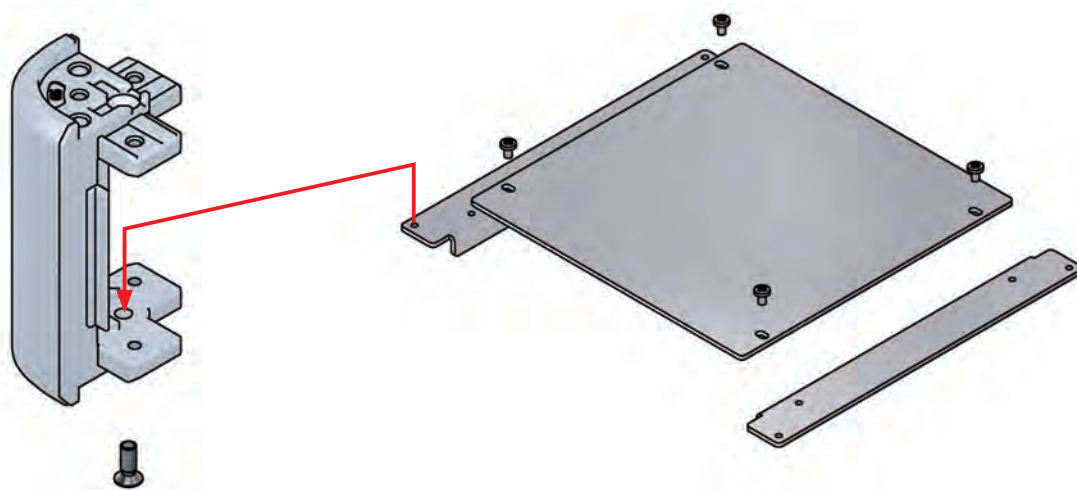
No.	Part name	Pcs	Material	Color / Finish
1	Corner block	4	Diecast aluminium ADC12	Silver • Black / Painted (Unfinished inside)
2	Frame	2	Extruded aluminium A6063S-T5	Silver • Black / Anodized
3	Panel support frame	4	Extruded aluminium A6063S-T5	Silver • Black / Anodized
4	Panel	2	Aluminium A1100P	Silver • Black / Anodized
5	Top • bottom cover	2	Aluminium A1100P	Silver • Black / Anodized
6	Corner guard	8	TPE (Elastomer)	Black • Gray • Navy • Red

AUG dimensions

■ DXF/DWG/PDF/STP drawings available on our website.



■ Mounting of a PCB or optional mounting plate is made easy through the use of the through-holes inside the aluminium diecast corner block. See page 180 for how to install mounting plate.



Accessories (Optional parts)



Mounting plate AUC series
See page 179 ~ 180



Elastomer carrying handle FM200
See website



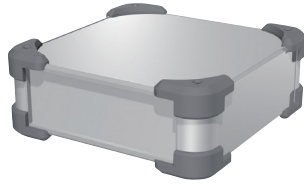
Tilt leg TLW series
See page 222

Color Type Please choose from the color combinations listed below.

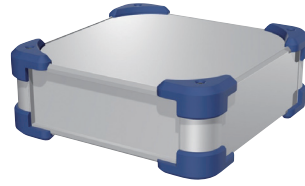
S B (Silver / Black)



S G (Silver / Gray)



S N (Silver / Navy)



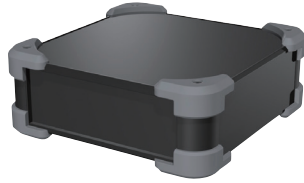
S R (Silver / Red)



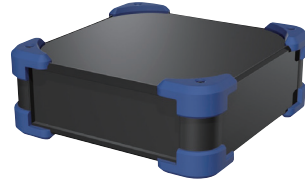
B B (Black / Black)



B G (Black / Gray)



B N (Black / Navy)



B R (Black / Red)



Product Number To determine a product number, please suffix Color code at the end of product number.



H-W-D dimensions

See page 174 for dimensions / product no.

Color

SB • SG • SN • SR
BB • BG • BN • BR

Numbering example :
If looking at "H100 x W308 x D208mm, Color type BR"

➔ AUG 88-30-20-BR

Product no. / Dimensions

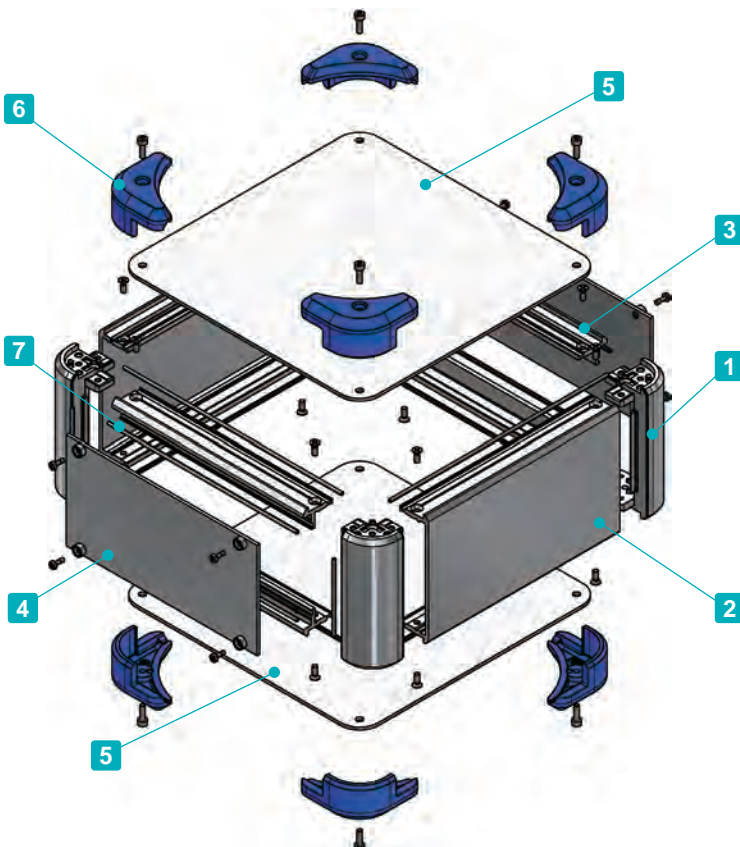
■ Please suffix color code at the end of the product number.

Product no.	H	W	D	Weight (kg)
AUG 66-16-16-□□	78	168	168	0.9
AUG 66-16-20-□□	78	168	208	1.0
AUG 66-16-25-□□	78	168	258	1.2
AUG 66-16-30-□□	78	168	308	1.3
AUG 66-20-16-□□	78	208	168	1.0
AUG 66-20-20-□□	78	208	208	1.2
AUG 66-20-25-□□	78	208	258	1.3
AUG 66-20-30-□□	78	208	308	1.5
AUG 66-20-36-□□	78	208	368	1.7
AUG 66-20-43-□□	78	208	438	2.0
AUG 66-25-16-□□	78	258	168	1.2
AUG 66-25-20-□□	78	258	208	1.3
AUG 66-25-25-□□	78	258	258	1.5
AUG 66-25-30-□□	78	258	308	1.7
AUG 66-25-36-□□	78	258	368	2.0
AUG 66-25-43-□□	78	258	438	2.3
AUG 66-30-16-□□	78	308	168	1.3
AUG 66-30-20-□□	78	308	208	1.5
AUG 66-30-25-□□	78	308	258	1.7
AUG 66-30-30-□□	78	308	308	2.0
AUG 66-30-36-□□	78	308	368	2.2
AUG 66-30-43-□□	78	308	438	2.6
AUG 66-30-50-□□	78	308	508	2.9
AUG 66-36-20-□□	78	368	208	1.7
AUG 66-36-25-□□	78	368	258	2.0
AUG 66-36-30-□□	78	368	308	2.2
AUG 66-36-36-□□	78	368	368	2.5
AUG 66-36-43-□□	78	368	438	2.9
AUG 66-36-50-□□	78	368	508	3.3
AUG 66-43-20-□□	78	438	208	2.0
AUG 66-43-25-□□	78	438	258	2.3
AUG 66-43-30-□□	78	438	308	2.6
AUG 66-43-36-□□	78	438	368	2.9
AUG 66-43-43-□□	78	438	438	3.3
AUG 66-43-50-□□	78	438	508	3.8
AUG 66-50-30-□□	78	508	308	2.9
AUG 66-50-36-□□	78	508	368	3.3
AUG 66-50-43-□□	78	508	438	3.8
AUG 66-50-50-□□	78	508	508	4.2
AUG 88-16-16-□□	100	168	168	1.0
AUG 88-16-20-□□	100	168	208	1.1
AUG 88-16-25-□□	100	168	258	1.3
AUG 88-16-30-□□	100	168	308	1.5
AUG 88-20-16-□□	100	208	168	1.1
AUG 88-20-20-□□	100	208	208	1.3
AUG 88-20-25-□□	100	208	258	1.5
AUG 88-20-30-□□	100	208	308	1.7
AUG 88-20-36-□□	100	208	368	1.9
AUG 88-20-43-□□	100	208	438	2.2
AUG 88-25-16-□□	100	258	168	1.3
AUG 88-25-20-□□	100	258	208	1.5
AUG 88-25-25-□□	100	258	258	1.7
AUG 88-25-30-□□	100	258	308	1.9
AUG 88-25-36-□□	100	258	368	2.2
AUG 88-25-43-□□	100	258	438	2.5
AUG 88-30-16-□□	100	308	168	1.4
AUG 88-30-20-□□	100	308	208	1.6
AUG 88-30-25-□□	100	308	258	1.9
AUG 88-30-30-□□	100	308	308	2.1

Product no.	H	W	D	Weight (kg)
AUG 88-30-36-□□	100	308	368	2.4
AUG 88-30-43-□□	100	308	438	2.8
AUG 88-30-50-□□	100	308	508	3.1
AUG 88-36-20-□□	100	368	208	1.8
AUG 88-36-25-□□	100	368	258	2.1
AUG 88-36-30-□□	100	368	308	2.4
AUG 88-36-36-□□	100	368	368	2.7
AUG 88-36-43-□□	100	368	438	3.2
AUG 88-36-50-□□	100	368	508	3.5
AUG 88-43-20-□□	100	438	208	2.1
AUG 88-43-25-□□	100	438	258	2.4
AUG 88-43-30-□□	100	438	308	2.8
AUG 88-43-36-□□	100	438	368	3.1
AUG 88-43-43-□□	100	438	438	3.6
AUG 88-43-50-□□	100	438	508	4.0
AUG 88-50-30-□□	100	508	308	3.1
AUG 88-50-36-□□	100	508	368	3.5
AUG 88-50-43-□□	100	508	438	4.0
AUG 88-50-50-□□	100	508	508	4.5
AUG133-16-16-□□	144.5	168	168	1.2
AUG133-16-20-□□	144.5	168	208	1.4
AUG133-16-25-□□	144.5	168	258	1.6
AUG133-16-30-□□	144.5	168	308	1.8
AUG133-20-16-□□	144.5	208	168	1.4
AUG133-20-20-□□	144.5	208	208	1.6
AUG133-20-25-□□	144.5	208	258	1.8
AUG133-20-30-□□	144.5	208	308	2.0
AUG133-20-36-□□	144.5	208	368	2.3
AUG133-20-43-□□	144.5	208	438	2.7
AUG133-25-16-□□	144.5	258	168	1.5
AUG133-25-20-□□	144.5	258	208	1.8
AUG133-25-25-□□	144.5	258	258	2.0
AUG133-25-30-□□	144.5	258	308	2.3
AUG133-25-36-□□	144.5	258	368	2.6
AUG133-25-43-□□	144.5	258	438	3.0
AUG133-30-16-□□	144.5	308	168	1.7
AUG133-30-20-□□	144.5	308	208	2.0
AUG133-30-25-□□	144.5	308	258	2.2
AUG133-30-30-□□	144.5	308	308	2.5
AUG133-30-36-□□	144.5	308	368	2.9
AUG133-30-43-□□	144.5	308	438	3.3
AUG133-30-50-□□	144.5	308	508	3.7
AUG133-36-20-□□	144.5	368	208	2.2
AUG133-36-25-□□	144.5	368	258	2.5
AUG133-36-30-□□	144.5	368	308	2.8
AUG133-36-36-□□	144.5	368	368	3.2
AUG133-36-43-□□	144.5	368	438	3.7
AUG133-36-50-□□	144.5	368	508	4.2
AUG133-43-20-□□	144.5	438	208	2.5
AUG133-43-25-□□	144.5	438	258	2.9
AUG133-43-30-□□	144.5	438	308	3.2
AUG133-43-36-□□	144.5	438	368	3.6
AUG133-43-43-□□	144.5	438	438	4.2
AUG133-43-50-□□	144.5	438	508	4.7
AUG133-50-30-□□	144.5	508	308	3.6
AUG133-50-36-□□	144.5	508	368	4.0
AUG133-50-43-□□	144.5	508	438	4.6
AUG133-50-50-□□	144.5	508	508	5.2



- Shielding gasket allows the enclosure to be EMC shielded.
- Rugged design EMC shielded aluminium enclosure with TPE (Elastomer) corner guards. Corner guards also act as non-slip rubber feet.
- Suitable to be used as an easy maintenance desktop case due to its detachable front/rear panels. Captive screws allow for ease of maintenance as there is little risk of the screws dropping out and getting lost.
- A large selection of 117 different sizes to choose from.
- A total of 4 selectable color combinations with a silver anodized body and 4 corner guard colors - Black, Gray, Navy and Red.



Included screws :

- Top / Bottom cover (not applicable to some models)
- M3-5 original trapezoid head (hex) & Nickel plated x 4-8 pcs
- Frame / Panel support frame
- M3-8 flat head & Nickel plated x 16 pcs
- Corner guard
- M3-10 hex & Black trivalent chromate x 8 pcs
- * Hex wrench included.
- Panel
- Captive M2.5-7 pan head & Nickel plated x 8-12 pcs

Recommended torque : $\begin{cases} \text{M3-10 hex} - 0.2\text{N} \cdot \text{m} \\ \text{M2.5-7 pan head} - 0.15 \sim 0.2\text{N} \cdot \text{m} \\ \text{Other screws} - 0.3 \sim 0.6\text{N} \cdot \text{m} \end{cases}$

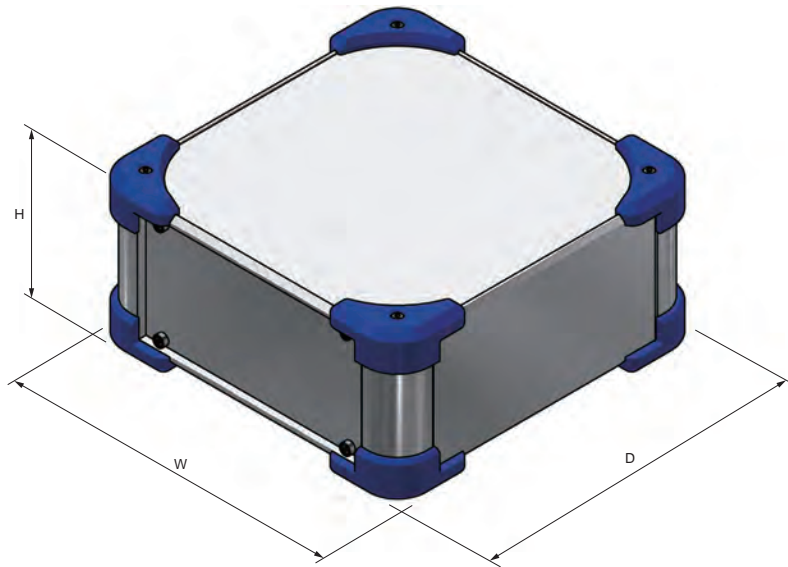
* Recommended torque listed is for reference only; actual may differ. Assemble after testing torque.

Components

No.	Part name	Pcs	Material	Color / Finish
1	Corner block	4	Diecast aluminium ADC12	Silver / Painted (Unfinished inside)
2	Frame	2	Extruded aluminium A6063S-T5	Silver / Painted (Unfinished inside)
3	Panel support frame	4	Extruded aluminium A6063S-T5	Silver / Painted (Unfinished inside)
4	Panel	2	Aluminium A1100P	Silver / Painted (Conductive inside)
5	Top • bottom cover	2	Aluminium A1100P	Silver / Painted (Conductive inside)
6	Corner guard	8	TPE (Elastomer)	Black • Gray • Navy • Red
7	EMC shielding gasket	16	Conductive fiber UL94V-0	Metallic gray

AUGE dimensions

■ DXF/DWG/PDF/STP drawings available on our website.

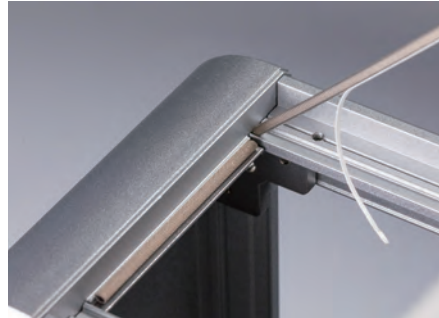


■ Install the EMC shielding gasket into the grooves on the frame, panel support frame, and corner block.

Frame

Panel support frame

Corner block



Accessories (Optional parts)



Mounting plate AUC series
See page 179 ~ 180



Elastomer carrying handle FM200
See website



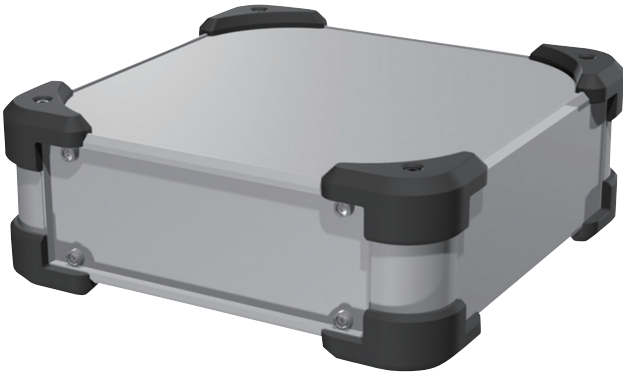
Tilt leg TLW series
See page 222



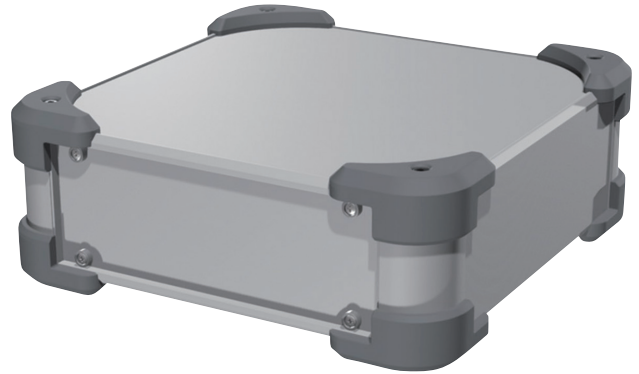
EMC shielding fan filter EMF series
See website

Color Type Please choose from the color combinations listed below.

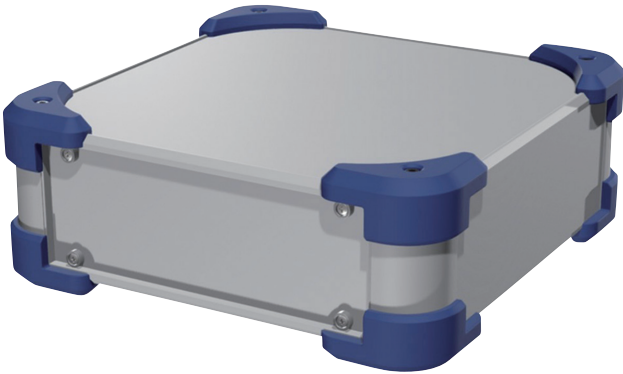
S B (Silver / Black)



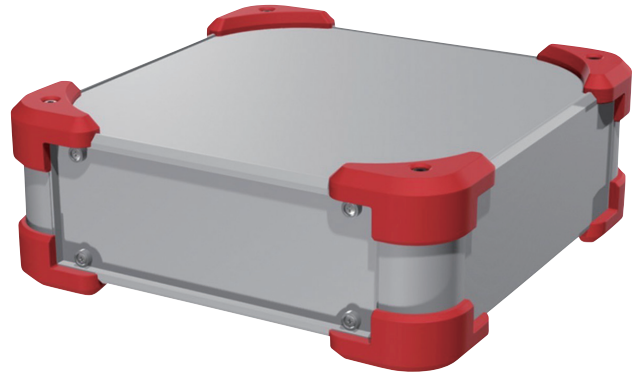
S G (Silver / Gray)



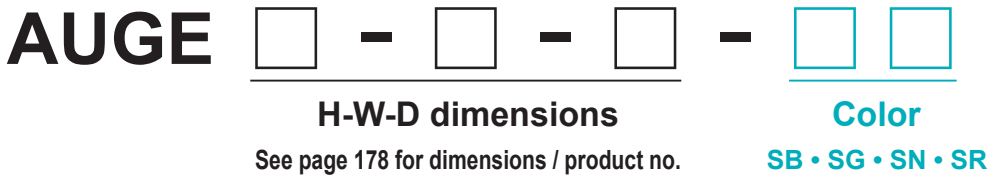
S N (Silver / Navy)



S R (Silver / Red)



Product Number To determine a product number, please suffix Color code at the end of product number.



Numbering example :
If looking at "H144.5 x W438 x D308mm, Color type SN"

➔ **AUGE 133-43-30-SN**

Product no. / Dimensions

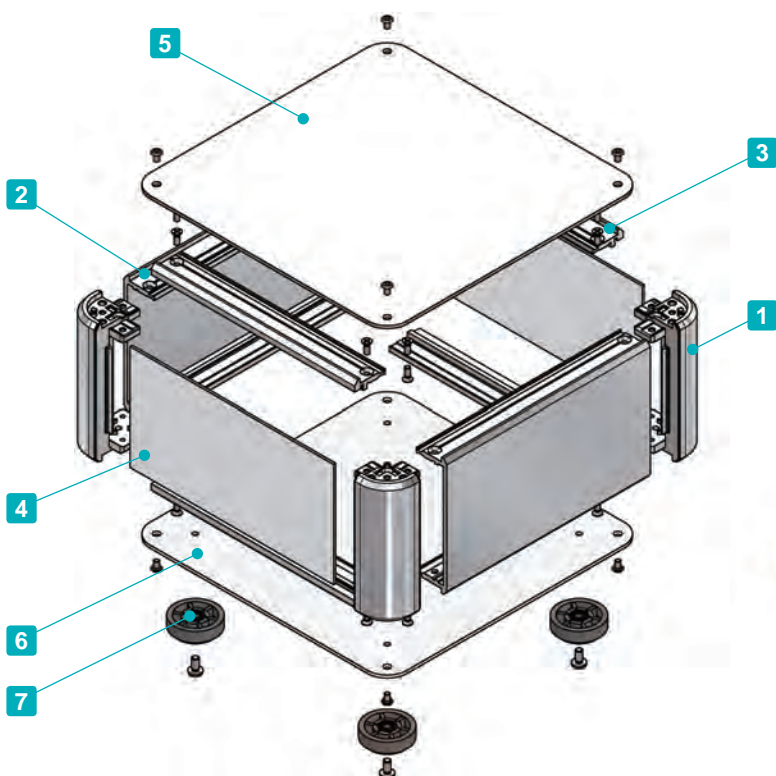
■ Please suffix color code at the end of the product number.

Product no.	H	W	D	Weight (kg)
AUGE 66-16-16-□□	78	168	168	0.9
AUGE 66-16-20-□□	78	168	208	1.1
AUGE 66-16-25-□□	78	168	258	1.2
AUGE 66-16-30-□□	78	168	308	1.4
AUGE 66-20-16-□□	78	208	168	1.1
AUGE 66-20-20-□□	78	208	208	1.2
AUGE 66-20-25-□□	78	208	258	1.4
AUGE 66-20-30-□□	78	208	308	1.6
AUGE 66-20-36-□□	78	208	368	1.8
AUGE 66-20-43-□□	78	208	438	2.1
AUGE 66-25-16-□□	78	258	168	1.2
AUGE 66-25-20-□□	78	258	208	1.4
AUGE 66-25-25-□□	78	258	258	1.6
AUGE 66-25-30-□□	78	258	308	1.8
AUGE 66-25-36-□□	78	258	368	2.0
AUGE 66-25-43-□□	78	258	438	2.4
AUGE 66-30-16-□□	78	308	168	1.4
AUGE 66-30-20-□□	78	308	208	1.6
AUGE 66-30-25-□□	78	308	258	1.8
AUGE 66-30-30-□□	78	308	308	2.0
AUGE 66-30-36-□□	78	308	368	2.3
AUGE 66-30-43-□□	78	308	438	2.7
AUGE 66-30-50-□□	78	308	508	3.0
AUGE 66-36-20-□□	78	368	208	1.8
AUGE 66-36-25-□□	78	368	258	2.1
AUGE 66-36-30-□□	78	368	308	2.3
AUGE 66-36-36-□□	78	368	368	2.6
AUGE 66-36-43-□□	78	368	438	3.0
AUGE 66-36-50-□□	78	368	508	3.4
AUGE 66-43-20-□□	78	438	208	2.1
AUGE 66-43-25-□□	78	438	258	2.4
AUGE 66-43-30-□□	78	438	308	2.7
AUGE 66-43-36-□□	78	438	368	3.0
AUGE 66-43-43-□□	78	438	438	3.5
AUGE 66-43-50-□□	78	438	508	3.9
AUGE 66-50-30-□□	78	508	308	3.0
AUGE 66-50-36-□□	78	508	368	3.4
AUGE 66-50-43-□□	78	508	438	3.9
AUGE 66-50-50-□□	78	508	508	4.4
AUGE 88-16-16-□□	100	168	168	1.0
AUGE 88-16-20-□□	100	168	208	1.2
AUGE 88-16-25-□□	100	168	258	1.4
AUGE 88-16-30-□□	100	168	308	1.5
AUGE 88-20-16-□□	100	208	168	1.2
AUGE 88-20-20-□□	100	208	208	1.3
AUGE 88-20-25-□□	100	208	258	1.5
AUGE 88-20-30-□□	100	208	308	1.7
AUGE 88-20-36-□□	100	208	368	1.9
AUGE 88-20-43-□□	100	208	438	2.2
AUGE 88-25-16-□□	100	258	168	1.4
AUGE 88-25-20-□□	100	258	208	1.5
AUGE 88-25-25-□□	100	258	258	1.7
AUGE 88-25-30-□□	100	258	308	2.0
AUGE 88-25-36-□□	100	258	368	2.2
AUGE 88-25-43-□□	100	258	438	2.6
AUGE 88-30-16-□□	100	308	168	1.5
AUGE 88-30-20-□□	100	308	208	1.7
AUGE 88-30-25-□□	100	308	258	2.0
AUGE 88-30-30-□□	100	308	308	2.2

Product no.	H	W	D	Weight (kg)
AUGE 88-30-36-□□	100	308	368	2.5
AUGE 88-30-43-□□	100	308	438	2.9
AUGE 88-30-50-□□	100	308	508	3.2
AUGE 88-36-20-□□	100	368	208	2.0
AUGE 88-36-25-□□	100	368	258	2.2
AUGE 88-36-30-□□	100	368	308	2.5
AUGE 88-36-36-□□	100	368	368	2.8
AUGE 88-36-43-□□	100	368	438	3.3
AUGE 88-36-50-□□	100	368	508	3.7
AUGE 88-43-20-□□	100	438	208	2.3
AUGE 88-43-25-□□	100	438	258	2.6
AUGE 88-43-30-□□	100	438	308	2.9
AUGE 88-43-36-□□	100	438	368	3.3
AUGE 88-43-43-□□	100	438	438	3.7
AUGE 88-43-50-□□	100	438	508	4.2
AUGE 88-50-30-□□	100	508	308	3.2
AUGE 88-50-36-□□	100	508	368	3.7
AUGE 88-50-43-□□	100	508	438	4.2
AUGE 88-50-50-□□	100	508	508	4.7
AUGE133-16-16-□□	144.5	168	168	1.3
AUGE133-16-20-□□	144.5	168	208	1.5
AUGE133-16-25-□□	144.5	168	258	1.7
AUGE133-16-30-□□	144.5	168	308	1.9
AUGE133-20-16-□□	144.5	208	168	1.4
AUGE133-20-20-□□	144.5	208	208	1.6
AUGE133-20-25-□□	144.5	208	258	1.9
AUGE133-20-30-□□	144.5	208	308	2.1
AUGE133-20-36-□□	144.5	208	368	2.4
AUGE133-20-43-□□	144.5	208	438	2.8
AUGE133-25-16-□□	144.5	258	168	1.6
AUGE133-25-20-□□	144.5	258	208	1.9
AUGE133-25-25-□□	144.5	258	258	2.1
AUGE133-25-30-□□	144.5	258	308	2.4
AUGE133-25-36-□□	144.5	258	368	2.7
AUGE133-25-43-□□	144.5	258	438	3.1
AUGE133-30-16-□□	144.5	308	168	1.8
AUGE133-30-20-□□	144.5	308	208	2.1
AUGE133-30-25-□□	144.5	308	258	2.4
AUGE133-30-30-□□	144.5	308	308	2.7
AUGE133-30-36-□□	144.5	308	368	3.0
AUGE133-30-43-□□	144.5	308	438	3.4
AUGE133-30-50-□□	144.5	308	508	3.8
AUGE133-36-20-□□	144.5	368	208	2.3
AUGE133-36-25-□□	144.5	368	258	2.7
AUGE133-36-30-□□	144.5	368	308	3.0
AUGE133-36-36-□□	144.5	368	368	3.4
AUGE133-36-43-□□	144.5	368	438	3.9
AUGE133-36-50-□□	144.5	368	508	4.3
AUGE133-43-20-□□	144.5	438	208	2.7
AUGE133-43-25-□□	144.5	438	258	3.0
AUGE133-43-30-□□	144.5	438	308	3.4
AUGE133-43-36-□□	144.5	438	368	3.8
AUGE133-43-43-□□	144.5	438	438	4.3
AUGE133-43-50-□□	144.5	438	508	4.9
AUGE133-50-30-□□	144.5	508	308	3.8
AUGE133-50-36-□□	144.5	508	368	4.3
AUGE133-50-43-□□	144.5	508	438	4.8
AUGE133-50-50-□□	144.5	508	508	5.4



- Elegantly designed aluminium enclosure with front/rear panels.
- A large selection of 117 different sizes to choose from.
- Top/bottom covers and front/rear panels are made from easily customizable sheet aluminium material.
- Versatile aluminium enclosure suitable for use as measuring instrument, controller, industrial embedded computer, power supply, audio amplifier, and so on.
- Feet is selectable between rubber or aluminium type.

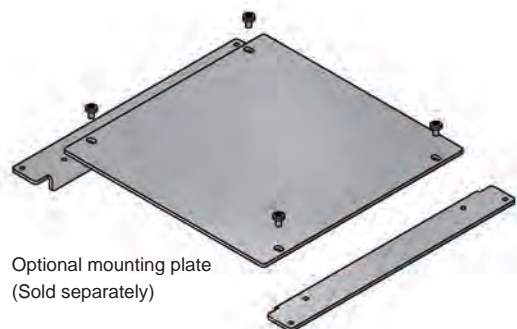


Included screws

- Top / Bottom cover
M3-5 original trapezoid head (plus / hex) & Nickel plated / Black trivalent chromate x 8~16 pcs
- Frame / Panel support frame
M3-8 flat head & Nickel plated x 16 pcs
- Rubber feet / Aluminium feet
M4-8 blind head & Black trivalent chromate x 4 pcs

Recommended torque : 0.3 ~ 0.6N • m

* Recommended torque listed is for reference only; actual may differ. Assemble after testing torque.



Optional mounting plate
(Sold separately)

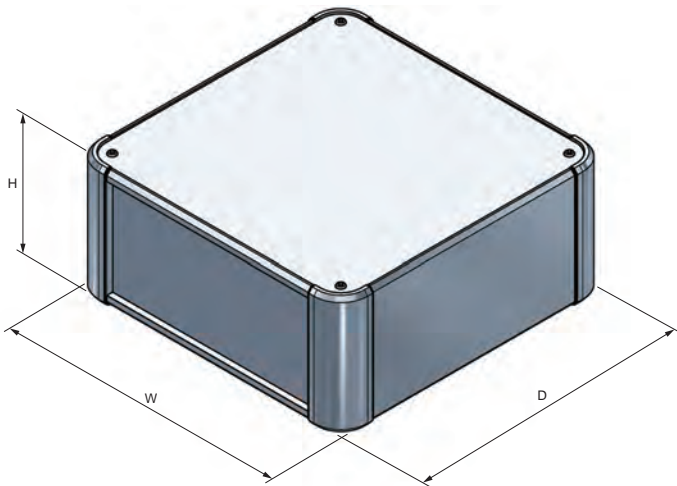
Components

No.	Part name	Pcs	Material	Color / Finish
1	Corner block	4	Diecast aluminium ADC12	Silver • Black / Painted (Unfinished inside)
2	Frame	2	Extruded aluminium A6063S-T5	Silver • Black / Anodized
3	Panel support frame	4	Extruded aluminium A6063S-T5	Silver • Black / Anodized
4	Panel	2	Aluminium A1100P	Silver • Black / Anodized
5	Top cover	1	Aluminium A1100P	Silver • Black / Anodized
6	Bottom cover	1	Aluminium A1100P	Silver • Black / Anodized
7	Rubber feet : Aluminium feet	4	TPE (Elastomer) : Aluminium	Black : Silver • Black / Anodized

AU dimensions

■ DXF/DWG/PDF/STP drawings available on our website.

■ Feet is selectable between rubber or aluminium type.
 ※Rubber and aluminium feet height are different.



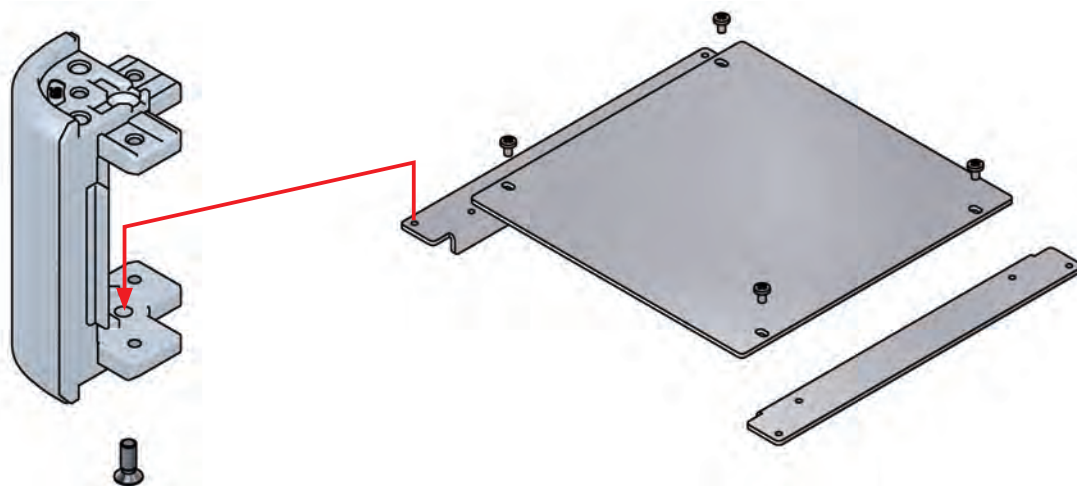
Rubber Feet



Aluminium Feet



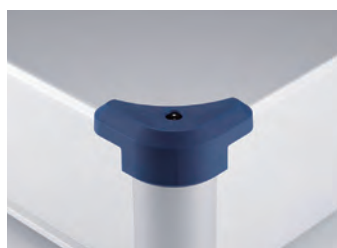
■ Mounting of a PCB or optional mounting plate is made easy through the use of the through-holes inside the aluminium diecast corner block. See page 180 for how to install mounting plate.



Accessories (Optional parts)



Mounting plate AUC series
See page 179 ~ 180



Corner guard AUCG series
See page 180



Elastomer carrying handle FM200
See website



Tilt leg TLW series
See page 222

To select Feet/Screw/Color types, follow steps **1** ~ **3** below.

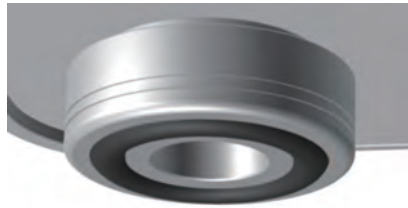
1 Feet Type

*Color of "Aluminium Feet" will be the same as bottom cover color.

R Rubber (Black / Unfinished)



A Aluminium (Silver / Anodized) (Black / Anodized)



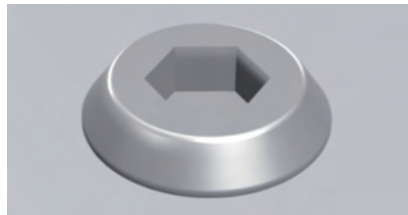
2 Screw Type

*Color of screw will be the same as top • bottom cover color.

P Plus (Silver / Nickel plated) (Black / Black trivalent chromate)



H Hex (Silver / Nickel plated) (Black / Black trivalent chromate)



Hex wrench included.

3 Color Type

Please choose from the color combinations listed below.

S S



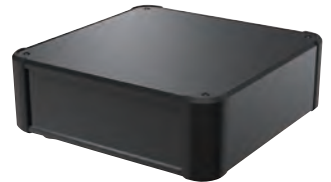
S B



B S



B B



To determine a product number, suffix Feet/Screw/Color code at the end of product number.

Product Number

AU - -

H-W-D dimensions

See page 154 for dimensions and product no.

-

1 Feet **2 Screw**

R or A P or H

3 Color

SS • SB • BS • BB

Numbering example :

If looking at "H88 x W300 x D200mm, Feet type A, Screw type H, Color type BS"

➔ **AU 88-30-20 AH-BS**

Product no. / Dimensions

■ Please suffix feet, screw, and color code at the end of the product number

Product no.	H	W	D	Weight (kg)
AU 66-16-16□□-□□	66	160	160	0.9
AU 66-16-20□□-□□	66	160	200	1.0
AU 66-16-25□□-□□	66	160	250	1.2
AU 66-16-30□□-□□	66	160	300	1.3
AU 66-20-16□□-□□	66	200	160	1.0
AU 66-20-20□□-□□	66	200	200	1.1
AU 66-20-25□□-□□	66	200	250	1.3
AU 66-20-30□□-□□	66	200	300	1.5
AU 66-20-36□□-□□	66	200	360	1.7
AU 66-20-43□□-□□	66	200	430	2.0
AU 66-25-16□□-□□	66	250	160	1.1
AU 66-25-20□□-□□	66	250	200	1.3
AU 66-25-25□□-□□	66	250	250	1.5
AU 66-25-30□□-□□	66	250	300	1.7
AU 66-25-36□□-□□	66	250	360	2.0
AU 66-25-43□□-□□	66	250	430	2.3
AU 66-30-16□□-□□	66	300	160	1.3
AU 66-30-20□□-□□	66	300	200	1.5
AU 66-30-25□□-□□	66	300	250	1.7
AU 66-30-30□□-□□	66	300	300	1.9
AU 66-30-36□□-□□	66	300	360	2.2
AU 66-30-43□□-□□	66	300	430	2.6
AU 66-30-50□□-□□	66	300	500	2.9
AU 66-36-20□□-□□	66	360	200	1.7
AU 66-36-25□□-□□	66	360	250	1.9
AU 66-36-30□□-□□	66	360	300	2.2
AU 66-36-36□□-□□	66	360	360	2.5
AU 66-36-43□□-□□	66	360	430	2.9
AU 66-36-50□□-□□	66	360	500	3.3
AU 66-43-20□□-□□	66	430	200	1.9
AU 66-43-25□□-□□	66	430	250	2.2
AU 66-43-30□□-□□	66	430	300	2.5
AU 66-43-36□□-□□	66	430	360	2.9
AU 66-43-43□□-□□	66	430	430	3.3
AU 66-43-50□□-□□	66	430	500	3.7
AU 66-50-30□□-□□	66	500	300	2.8
AU 66-50-36□□-□□	66	500	360	3.3
AU 66-50-43□□-□□	66	500	430	3.7
AU 66-50-50□□-□□	66	500	500	4.2
AU 88-16-16□□-□□	88	160	160	0.9
AU 88-16-20□□-□□	88	160	200	1.1
AU 88-16-25□□-□□	88	160	250	1.3
AU 88-16-30□□-□□	88	160	300	1.4
AU 88-20-16□□-□□	88	200	160	1.1
AU 88-20-20□□-□□	88	200	200	1.2
AU 88-20-25□□-□□	88	200	250	1.4
AU 88-20-30□□-□□	88	200	300	1.6
AU 88-20-36□□-□□	88	200	360	1.8
AU 88-20-43□□-□□	88	200	430	2.1
AU 88-25-16□□-□□	88	250	160	1.2
AU 88-25-20□□-□□	88	250	200	1.4
AU 88-25-25□□-□□	88	250	250	1.6
AU 88-25-30□□-□□	88	250	300	1.8
AU 88-25-36□□-□□	88	250	360	2.1
AU 88-25-43□□-□□	88	250	430	2.4
AU 88-30-16□□-□□	88	300	160	1.4
AU 88-30-20□□-□□	88	300	200	1.6
AU 88-30-25□□-□□	88	300	250	1.8
AU 88-30-30□□-□□	88	300	300	2.1

Product no.	H	W	D	Weight (kg)
AU 88-30-36□□-□□	88	300	360	2.4
AU 88-30-43□□-□□	88	300	430	2.7
AU 88-30-50□□-□□	88	300	500	3.1
AU 88-36-20□□-□□	88	360	200	1.8
AU 88-36-25□□-□□	88	360	250	2.1
AU 88-36-30□□-□□	88	360	300	2.3
AU 88-36-36□□-□□	88	360	360	2.7
AU 88-36-43□□-□□	88	360	430	3.1
AU 88-36-50□□-□□	88	360	500	3.5
AU 88-43-20□□-□□	88	430	200	2.1
AU 88-43-25□□-□□	88	430	250	2.4
AU 88-43-30□□-□□	88	430	300	2.7
AU 88-43-36□□-□□	88	430	360	3.1
AU 88-43-43□□-□□	88	430	430	3.5
AU 88-43-50□□-□□	88	430	500	4.0
AU 88-50-30□□-□□	88	500	300	3.0
AU 88-50-36□□-□□	88	500	360	3.4
AU 88-50-43□□-□□	88	500	430	3.9
AU 88-50-50□□-□□	88	500	500	4.4
AU133-16-16□□-□□	132.5	160	160	1.2
AU133-16-20□□-□□	132.5	160	200	1.4
AU133-16-25□□-□□	132.5	160	250	1.6
AU133-16-30□□-□□	132.5	160	300	1.8
AU133-20-16□□-□□	132.5	200	160	1.3
AU133-20-20□□-□□	132.5	200	200	1.5
AU133-20-25□□-□□	132.5	200	250	1.7
AU133-20-30□□-□□	132.5	200	300	2.0
AU133-20-36□□-□□	132.5	200	360	2.3
AU133-20-43□□-□□	132.5	200	430	2.6
AU133-25-16□□-□□	132.5	250	160	1.5
AU133-25-20□□-□□	132.5	250	200	1.7
AU133-25-25□□-□□	132.5	250	250	2.0
AU133-25-30□□-□□	132.5	250	300	2.2
AU133-25-36□□-□□	132.5	250	360	2.6
AU133-25-43□□-□□	132.5	250	430	3.0
AU133-30-16□□-□□	132.5	300	160	1.7
AU133-30-20□□-□□	132.5	300	200	1.9
AU133-30-25□□-□□	132.5	300	250	2.2
AU133-30-30□□-□□	132.5	300	300	2.5
AU133-30-36□□-□□	132.5	300	360	2.8
AU133-30-43□□-□□	132.5	300	430	3.3
AU133-30-50□□-□□	132.5	300	500	3.7
AU133-36-20□□-□□	132.5	360	200	2.1
AU133-36-25□□-□□	132.5	360	250	2.5
AU133-36-30□□-□□	132.5	360	300	2.8
AU133-36-36□□-□□	132.5	360	360	3.2
AU133-36-43□□-□□	132.5	360	430	3.7
AU133-36-50□□-□□	132.5	360	500	4.1
AU133-43-20□□-□□	132.5	430	200	2.4
AU133-43-25□□-□□	132.5	430	250	2.8
AU133-43-30□□-□□	132.5	430	300	3.2
AU133-43-36□□-□□	132.5	430	360	3.6
AU133-43-43□□-□□	132.5	430	430	4.1
AU133-43-50□□-□□	132.5	430	500	4.6
AU133-50-30□□-□□	132.5	500	300	3.5
AU133-50-36□□-□□	132.5	500	360	4.0
AU133-50-43□□-□□	132.5	500	430	4.6
AU133-50-50□□-□□	132.5	500	500	5.1

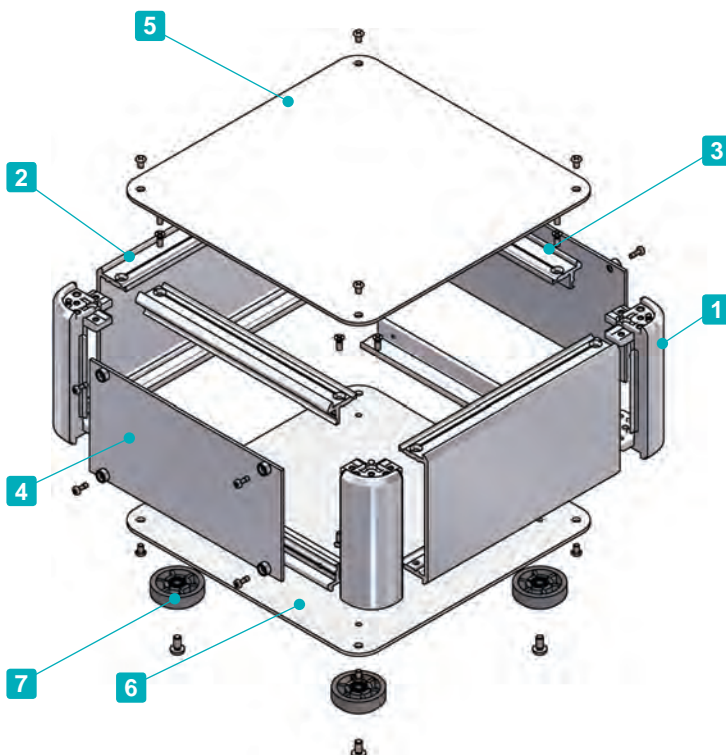
*Weight listed is calculated based on rubber feet selection.



Conductive



- Elegantly designed aluminium enclosure with easily detachable front/rear panels.
Captive screws allow for ease of maintenance as there is little risk of the screws dropping out and getting lost.
- The inner surface is unfinished, allowing the enclosure to be conductive.
- A large selection of 117 different sizes to choose from.

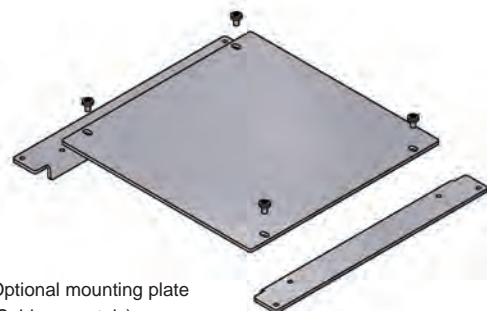


Included screws

- Top / Bottom cover
M3-5 original trapezoid head (plus / hex) & M3-8 flat head & Nickel plated x 16 pcs
- Frame / Panel support frame
M3-8 flat head & Nickel plated x 16 pcs
- Rubber feet / Aluminium feet
M4-8 blind head & Black trivalent chromate x 4 pcs
- Panel
Captive M2.5-7 pan head & Nickel plated x 8-12 pcs

Recommended torque : $\begin{cases} M2.5 - 0.15 \sim 0.2N \cdot m \\ M3 / M4 - 0.3 \sim 0.6N \cdot m \end{cases}$

* Recommended torque listed is for reference only; actual may differ. Assemble after testing torque.



Optional mounting plate
(Sold separately)

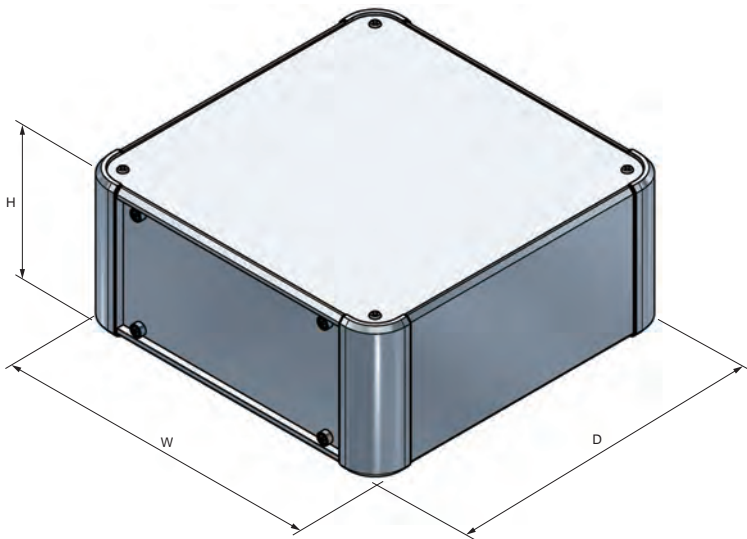
Components

No.	Part name	Pcs	Material	Color / Finish
1	Corner block	4	Diecast aluminium ADC12	Silver • Black / Painted (Unfinished inside)
2	Frame	2	Extruded aluminium A6063S-T5	Silver / Painted (Unfinished inside)
3	Panel support frame	4	Extruded aluminium A6063S-T5	Silver / Painted (Unfinished inside)
4	Panel	2	Aluminium A1100P	Silver / Painted (Conductive inside)
5	Top cover	1	Aluminium A1100P	Silver / Painted (Conductive inside)
6	Bottom cover	1	Aluminium A1100P	Silver / Painted (Conductive inside)
7	Rubber feet : Aluminium feet	4	TPE (Elastomer) : Aluminium	Black : Silver / Anodized

AUP dimensions

■ DXF/DWG/PDF/STP drawings available on our website.

■ Feet is selectable between rubber or aluminium type.
 ※Rubber and aluminium feet height are different.



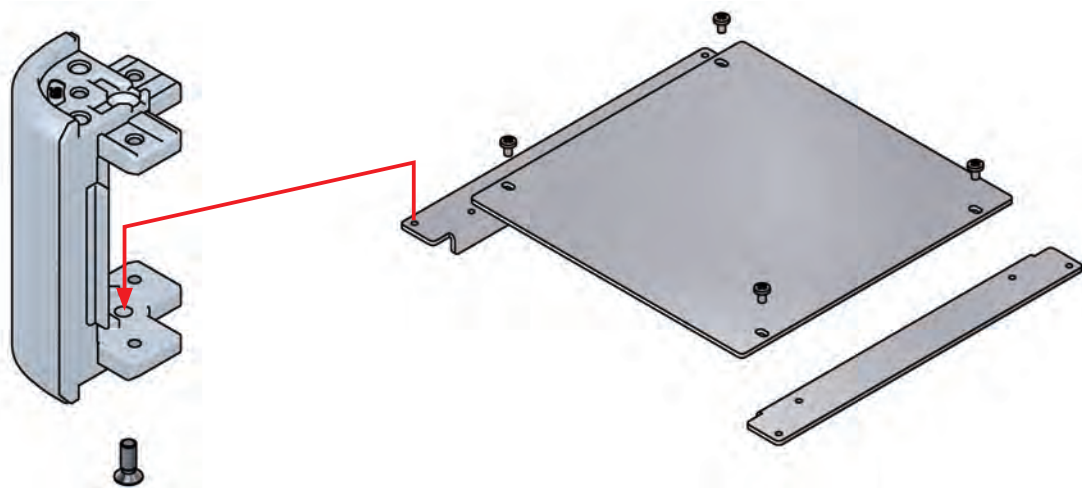
Rubber Feet



Aluminium Feet



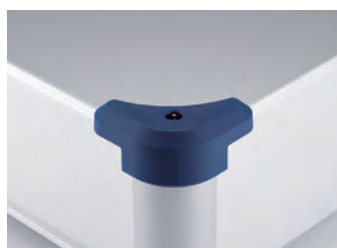
■ Mounting of a PCB or optional mounting plate is made easy through the use of the through-holes inside the aluminium diecast corner block. See page 180 for how to install mounting plate.



Accessories (Optional parts)



Mounting plate AUC series
See page 179 ~ 180



Corner guard AUCG series
See page 180



Elastomer carrying handle FM200
See website

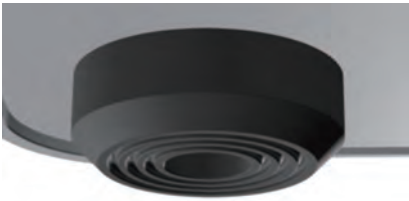


Tilt leg TLW series
See page 222

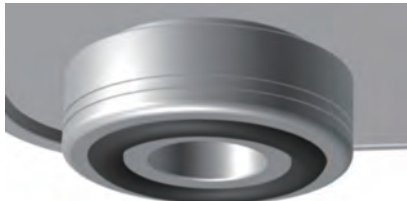
To select Feet/Screw/Color types, follow steps **1** ~ **3** below.

1 Feet Type

R Rubber (Black / Unfinished)



A Aluminium (Silver / Anodized)

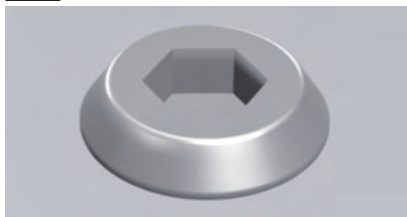


2 Screw Type

P Plus (Silver / Nickel plated)



H Hex (Silver / Nickel plated)



Hex wrench included.

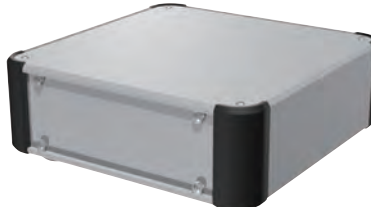
3 Color Type

Please choose from the color combinations listed below.

S S



S B



To determine a product number, suffix Feet/Screw/Color code at the end of product number.

Product Number



Numbering example :
If looking at "H88 x W300 x D200mm, Feet type A, Screw type H, Color type SB"

➔ **AUP 88-30-20 AH-SB**

Product no. / Dimensions

■ Please suffix feet, screw, and color code at the end of the product number

Product no.	H	W	D	Weight (kg)
AUP 66-16-16□□-□□	66	160	160	0.9
AUP 66-16-20□□-□□	66	160	200	1.0
AUP 66-16-25□□-□□	66	160	250	1.2
AUP 66-16-30□□-□□	66	160	300	1.3
AUP 66-20-16□□-□□	66	200	160	1.0
AUP 66-20-20□□-□□	66	200	200	1.2
AUP 66-20-25□□-□□	66	200	250	1.4
AUP 66-20-30□□-□□	66	200	300	1.5
AUP 66-20-36□□-□□	66	200	360	1.7
AUP 66-20-43□□-□□	66	200	430	2.0
AUP 66-25-16□□-□□	66	250	160	1.2
AUP 66-25-20□□-□□	66	250	200	1.4
AUP 66-25-25□□-□□	66	250	250	1.6
AUP 66-25-30□□-□□	66	250	300	1.8
AUP 66-25-36□□-□□	66	250	360	2.0
AUP 66-25-43□□-□□	66	250	430	2.3
AUP 66-30-16□□-□□	66	300	160	1.4
AUP 66-30-20□□-□□	66	300	200	1.5
AUP 66-30-25□□-□□	66	300	250	1.8
AUP 66-30-30□□-□□	66	300	300	2.0
AUP 66-30-36□□-□□	66	300	360	2.3
AUP 66-30-43□□-□□	66	300	430	2.6
AUP 66-30-50□□-□□	66	300	500	3.0
AUP 66-36-20□□-□□	66	360	200	1.8
AUP 66-36-25□□-□□	66	360	250	2.0
AUP 66-36-30□□-□□	66	360	300	2.3
AUP 66-36-36□□-□□	66	360	360	2.6
AUP 66-36-43□□-□□	66	360	430	3.0
AUP 66-36-50□□-□□	66	360	500	3.4
AUP 66-43-20□□-□□	66	430	200	2.1
AUP 66-43-25□□-□□	66	430	250	2.4
AUP 66-43-30□□-□□	66	430	300	2.7
AUP 66-43-36□□-□□	66	430	360	3.0
AUP 66-43-43□□-□□	66	430	430	3.4
AUP 66-43-50□□-□□	66	430	500	3.9
AUP 66-50-30□□-□□	66	500	300	3.0
AUP 66-50-36□□-□□	66	500	360	3.4
AUP 66-50-43□□-□□	66	500	430	3.9
AUP 66-50-50□□-□□	66	500	500	4.3
AUP 88-16-16□□-□□	88	160	160	1.0
AUP 88-16-20□□-□□	88	160	200	1.2
AUP 88-16-25□□-□□	88	160	250	1.3
AUP 88-16-30□□-□□	88	160	300	1.5
AUP 88-20-16□□-□□	88	200	160	1.2
AUP 88-20-20□□-□□	88	200	200	1.3
AUP 88-20-25□□-□□	88	200	250	1.5
AUP 88-20-30□□-□□	88	200	300	1.7
AUP 88-20-36□□-□□	88	200	360	1.9
AUP 88-20-43□□-□□	88	200	430	2.2
AUP 88-25-16□□-□□	88	250	160	1.3
AUP 88-25-20□□-□□	88	250	200	1.5
AUP 88-25-25□□-□□	88	250	250	1.7
AUP 88-25-30□□-□□	88	250	300	1.9
AUP 88-25-36□□-□□	88	250	360	2.2
AUP 88-25-43□□-□□	88	250	430	2.5
AUP 88-30-16□□-□□	88	300	160	1.5
AUP 88-30-20□□-□□	88	300	200	1.7
AUP 88-30-25□□-□□	88	300	250	1.9
AUP 88-30-30□□-□□	88	300	300	2.2

Product no.	H	W	D	Weight (kg)
AUP 88-30-36□□-□□	88	300	360	2.5
AUP 88-30-43□□-□□	88	300	430	2.9
AUP 88-30-50□□-□□	88	300	500	3.2
AUP 88-36-20□□-□□	88	360	200	1.9
AUP 88-36-25□□-□□	88	360	250	2.2
AUP 88-36-30□□-□□	88	360	300	2.5
AUP 88-36-36□□-□□	88	360	360	2.8
AUP 88-36-43□□-□□	88	360	430	3.2
AUP 88-36-50□□-□□	88	360	500	3.6
AUP 88-43-20□□-□□	88	430	200	2.2
AUP 88-43-25□□-□□	88	430	250	2.5
AUP 88-43-30□□-□□	88	430	300	2.9
AUP 88-43-36□□-□□	88	430	360	3.2
AUP 88-43-43□□-□□	88	430	430	3.7
AUP 88-43-50□□-□□	88	430	500	4.1
AUP 88-50-30□□-□□	88	500	300	3.2
AUP 88-50-36□□-□□	88	500	360	3.6
AUP 88-50-43□□-□□	88	500	430	4.1
AUP 88-50-50□□-□□	88	500	500	4.6
AUP133-16-16□□-□□	132.5	160	160	1.3
AUP133-16-20□□-□□	132.5	160	200	1.4
AUP133-16-25□□-□□	132.5	160	250	1.7
AUP133-16-30□□-□□	132.5	160	300	1.9
AUP133-20-16□□-□□	132.5	200	160	1.4
AUP133-20-20□□-□□	132.5	200	200	1.6
AUP133-20-25□□-□□	132.5	200	250	1.8
AUP133-20-30□□-□□	132.5	200	300	2.1
AUP133-20-36□□-□□	132.5	200	360	2.4
AUP133-20-43□□-□□	132.5	200	430	2.7
AUP133-25-16□□-□□	132.5	250	160	1.6
AUP133-25-20□□-□□	132.5	250	200	1.8
AUP133-25-25□□-□□	132.5	250	250	2.1
AUP133-25-30□□-□□	132.5	250	300	2.4
AUP133-25-36□□-□□	132.5	250	360	2.7
AUP133-25-43□□-□□	132.5	250	430	3.1
AUP133-30-16□□-□□	132.5	300	160	1.8
AUP133-30-20□□-□□	132.5	300	200	2.0
AUP133-30-25□□-□□	132.5	300	250	2.3
AUP133-30-30□□-□□	132.5	300	300	2.6
AUP133-30-36□□-□□	132.5	300	360	3.0
AUP133-30-43□□-□□	132.5	300	430	3.4
AUP133-30-50□□-□□	132.5	300	500	3.8
AUP133-36-20□□-□□	132.5	360	200	2.3
AUP133-36-25□□-□□	132.5	360	250	2.6
AUP133-36-30□□-□□	132.5	360	300	3.0
AUP133-36-36□□-□□	132.5	360	360	3.3
AUP133-36-43□□-□□	132.5	360	430	3.8
AUP133-36-50□□-□□	132.5	360	500	4.3
AUP133-43-20□□-□□	132.5	430	200	2.6
AUP133-43-25□□-□□	132.5	430	250	3.0
AUP133-43-30□□-□□	132.5	430	300	3.4
AUP133-43-36□□-□□	132.5	430	360	3.8
AUP133-43-43□□-□□	132.5	430	430	4.3
AUP133-43-50□□-□□	132.5	430	500	4.8
AUP133-50-30□□-□□	132.5	500	300	3.8
AUP133-50-36□□-□□	132.5	500	360	4.2
AUP133-50-43□□-□□	132.5	500	430	4.8
AUP133-50-50□□-□□	132.5	500	500	5.3

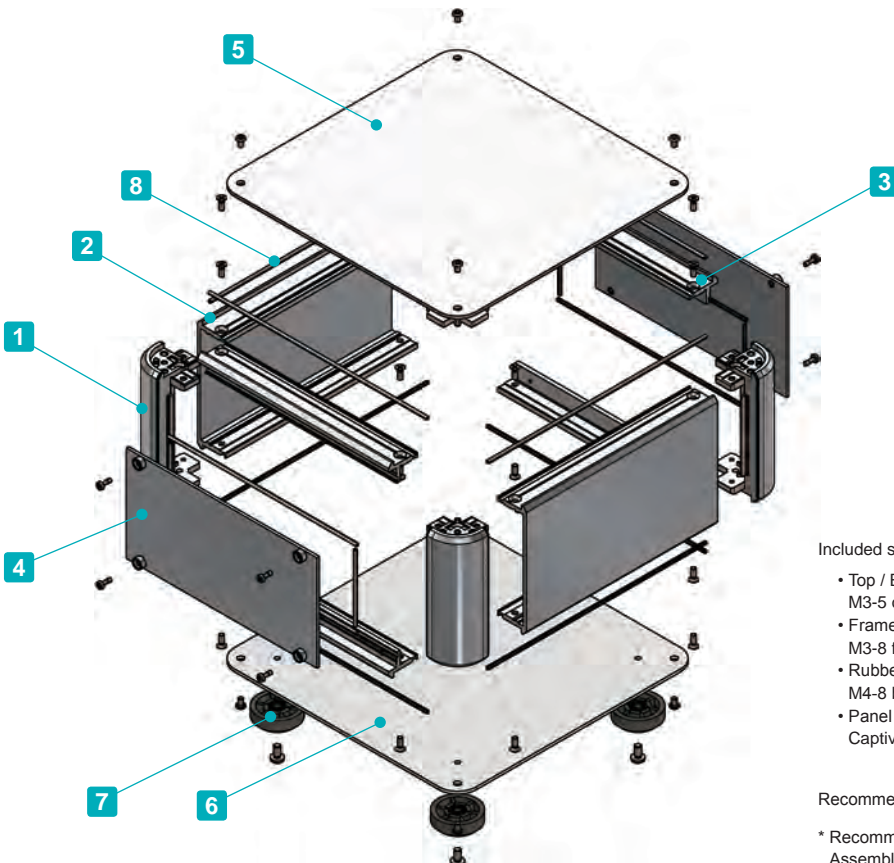
*Weight listed is calculated based on rubber feet selection.



EMC
Shielding
Effects



- Elegantly designed EMC shielded aluminium enclosure with detachable front/rear panels.
- Suitable to be used as an easy maintenance desktop case due to its detachable front/rear panels. Captive screws allow for ease of maintenance as there is little risk of the screws dropping out and getting lost.
- A large selection of 117 different sizes to choose from.



Included screws

- Top / Bottom cover
M3-5 original trapezoid head (plus / hex) & Nickel plated x 8~16 pcs
- Frame / Panel support frame
M3-8 flat head & Nickel plated x 16 pcs
- Rubber feet / Aluminium feet
M4-8 bind head & Black trivalent chromate x 4 pcs
- Panel
Captive M2.5-7 pan head & Nickel plated x 8 ~ 12 pcs

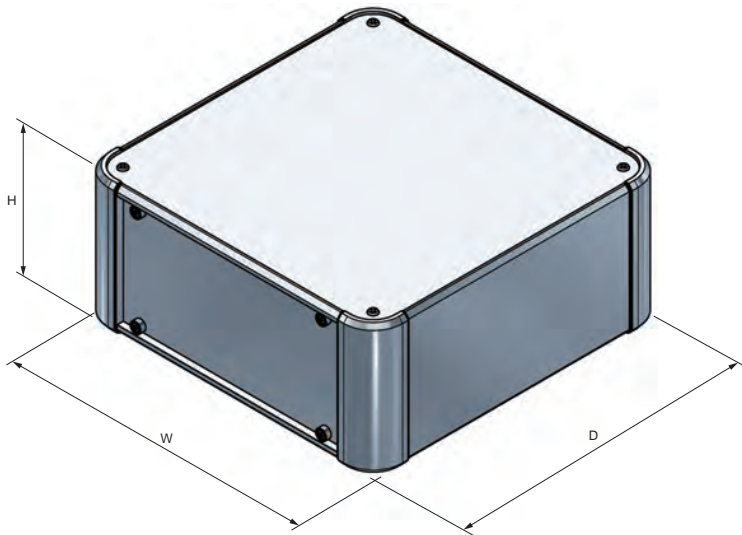
Recommended torque : $\begin{cases} M2.5 - 0.15 \sim 0.2N \cdot m \\ M3 / M4 - 0.3 \sim 0.6N \cdot m \end{cases}$

* Recommended torque listed is for reference only; actual may differ. Assemble after testing torque.

Components

No.	Part name	Pcs	Material	Color / Finish
1	Corner block	4	Diecast aluminium ADC12	Silver • Black / Painted (Unfinished inside)
2	Frame	2	Extruded aluminium A6063S-T5	Silver / Painted (Unfinished inside)
3	Panel support frame	4	Extruded aluminium A6063S-T5	Silver / Painted (Unfinished inside)
4	Panel	2	Aluminium A1100P	Silver / Painted (Conductive inside)
5	Top cover	1	Aluminium A1100P	Silver / Painted (Conductive inside)
6	Bottom cover	1	Aluminium A1100P	Silver / Painted (Conductive inside)
7	Rubber feet : Aluminium feet	4	TPE (Elastomer) : Aluminium	Black : Silver / Anodized
8	EMC shielding gasket	16	Conductive fiber UL94V-0	Metallic gray

AUPE dimensions



- DXF/DWG/PDF/STP drawings available on our website.
- Feet is selectable between rubber or aluminium type.
※Rubber and aluminium feet height are different.

Rubber Feet



Aluminium Feet



■ Install the EMC shielding gasket into the grooves on the frame, panel support frame, and corner block.

Frame



Panel support frame



Corner block



Accessories (Optional parts)



Mounting plate AUC series
See page 179 ~ 180



Elastomer carrying handle FM200
See website



Tilt leg TLW series
See page 222

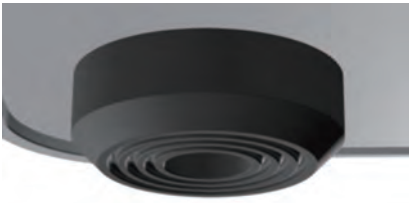


EMC shielding fan filter EMF series
See website

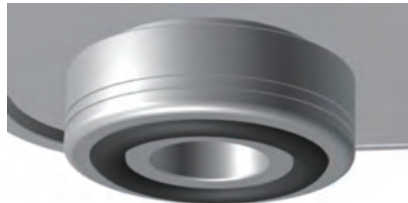
To select Feet/Screw/Color types, follow steps **1** ~ **3** below.

1 Feet Type

R Rubber (Black / Unfinished)



A Aluminium (Silver / Anodized)

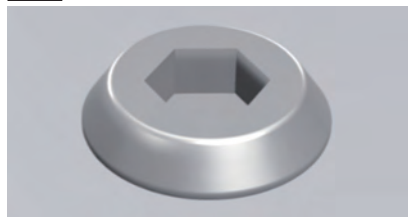


2 Screw Type

P Plus (Silver / Nickel plated)



H Hex (Silver / Nickel plated)

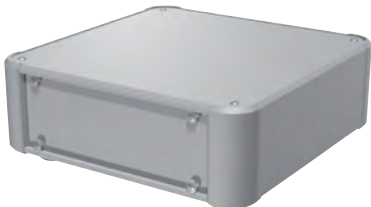


Hex wrench included.

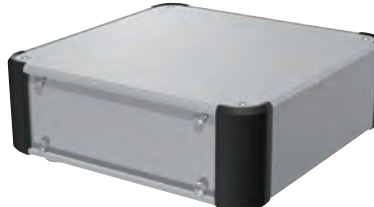
3 Color Type

Please choose from the color combinations listed below.

S S



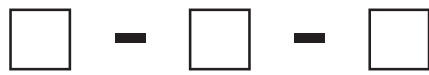
S B



To determine a product number, suffix Feet/Screw/Color code at the end of product number.

Product Number

AUPE



H-W-D dimensions

See page 162 for dimensions / product no.



1 Feet **2 Screw**
R or A P or H

3 Color
SS • SB

Numbering example :

If looking at "H133 x W300 x D200mm, Feet type A, Screw type H, Color type SS"

➔ **AUPE 133-30-20 AH-SS**

Product no. / Dimensions

■ Please suffix feet, screw, and color code at the end of the product number

Product no.	H	W	D	Weight (kg)
AUPE 66-16-16□□-□□	66	160	160	0.9
AUPE 66-16-20□□-□□	66	160	200	1.0
AUPE 66-16-25□□-□□	66	160	250	1.2
AUPE 66-16-30□□-□□	66	160	300	1.4
AUPE 66-20-16□□-□□	66	200	160	1.0
AUPE 66-20-20□□-□□	66	200	200	1.2
AUPE 66-20-25□□-□□	66	200	250	1.4
AUPE 66-20-30□□-□□	66	200	300	1.5
AUPE 66-20-36□□-□□	66	200	360	1.8
AUPE 66-20-43□□-□□	66	200	430	2.0
AUPE 66-25-16□□-□□	66	250	160	1.2
AUPE 66-25-20□□-□□	66	250	200	1.4
AUPE 66-25-25□□-□□	66	250	250	1.6
AUPE 66-25-30□□-□□	66	250	300	1.8
AUPE 66-25-36□□-□□	66	250	360	2.0
AUPE 66-25-43□□-□□	66	250	430	2.3
AUPE 66-30-16□□-□□	66	300	160	1.4
AUPE 66-30-20□□-□□	66	300	200	1.6
AUPE 66-30-25□□-□□	66	300	250	1.8
AUPE 66-30-30□□-□□	66	300	300	2.0
AUPE 66-30-36□□-□□	66	300	360	2.3
AUPE 66-30-43□□-□□	66	300	430	2.6
AUPE 66-30-50□□-□□	66	300	500	3.0
AUPE 66-36-20□□-□□	66	360	200	1.8
AUPE 66-36-25□□-□□	66	360	250	2.0
AUPE 66-36-30□□-□□	66	360	300	2.3
AUPE 66-36-36□□-□□	66	360	360	2.6
AUPE 66-36-43□□-□□	66	360	430	3.0
AUPE 66-36-50□□-□□	66	360	500	3.4
AUPE 66-43-20□□-□□	66	430	200	2.1
AUPE 66-43-25□□-□□	66	430	250	2.4
AUPE 66-43-30□□-□□	66	430	300	2.7
AUPE 66-43-36□□-□□	66	430	360	3.0
AUPE 66-43-43□□-□□	66	430	430	3.4
AUPE 66-43-50□□-□□	66	430	500	3.9
AUPE 66-50-30□□-□□	66	500	300	3.0
AUPE 66-50-36□□-□□	66	500	360	3.4
AUPE 66-50-43□□-□□	66	500	430	3.9
AUPE 66-50-50□□-□□	66	500	500	4.3
AUPE 88-16-16□□-□□	88	160	160	1.0
AUPE 88-16-20□□-□□	88	160	200	1.2
AUPE 88-16-25□□-□□	88	160	250	1.3
AUPE 88-16-30□□-□□	88	160	300	1.5
AUPE 88-20-16□□-□□	88	200	160	1.2
AUPE 88-20-20□□-□□	88	200	200	1.3
AUPE 88-20-25□□-□□	88	200	250	1.5
AUPE 88-20-30□□-□□	88	200	300	1.7
AUPE 88-20-36□□-□□	88	200	360	1.9
AUPE 88-20-43□□-□□	88	200	430	2.2
AUPE 88-25-16□□-□□	88	250	160	1.3
AUPE 88-25-20□□-□□	88	250	200	1.5
AUPE 88-25-25□□-□□	88	250	250	1.7
AUPE 88-25-30□□-□□	88	250	300	1.9
AUPE 88-25-36□□-□□	88	250	360	2.2
AUPE 88-25-43□□-□□	88	250	430	2.5
AUPE 88-30-16□□-□□	88	300	160	1.5
AUPE 88-30-20□□-□□	88	300	200	1.7
AUPE 88-30-25□□-□□	88	300	250	1.9
AUPE 88-30-30□□-□□	88	300	300	2.2

Product no.	H	W	D	Weight (kg)
AUPE 88-30-36□□-□□	88	300	360	2.5
AUPE 88-30-43□□-□□	88	300	430	2.9
AUPE 88-30-50□□-□□	88	300	500	3.2
AUPE 88-36-20□□-□□	88	360	200	1.9
AUPE 88-36-25□□-□□	88	360	250	2.2
AUPE 88-36-30□□-□□	88	360	300	2.5
AUPE 88-36-36□□-□□	88	360	360	2.8
AUPE 88-36-43□□-□□	88	360	430	3.2
AUPE 88-36-50□□-□□	88	360	500	3.6
AUPE 88-43-20□□-□□	88	430	200	2.2
AUPE 88-43-25□□-□□	88	430	250	2.6
AUPE 88-43-30□□-□□	88	430	300	2.9
AUPE 88-43-36□□-□□	88	430	360	3.3
AUPE 88-43-43□□-□□	88	430	430	3.7
AUPE 88-43-50□□-□□	88	430	500	4.1
AUPE 88-50-30□□-□□	88	500	300	3.2
AUPE 88-50-36□□-□□	88	500	360	3.6
AUPE 88-50-43□□-□□	88	500	430	4.1
AUPE 88-50-50□□-□□	88	500	500	4.6
AUPE133-16-16□□-□□	132.5	160	160	1.3
AUPE133-16-20□□-□□	132.5	160	200	1.4
AUPE133-16-25□□-□□	132.5	160	250	1.7
AUPE133-16-30□□-□□	132.5	160	300	1.9
AUPE133-20-16□□-□□	132.5	200	160	1.4
AUPE133-20-20□□-□□	132.5	200	200	1.6
AUPE133-20-25□□-□□	132.5	200	250	1.9
AUPE133-20-30□□-□□	132.5	200	300	2.1
AUPE133-20-36□□-□□	132.5	200	360	2.4
AUPE133-20-43□□-□□	132.5	200	430	2.7
AUPE133-25-16□□-□□	132.5	250	160	1.6
AUPE133-25-20□□-□□	132.5	250	200	1.8
AUPE133-25-25□□-□□	132.5	250	250	2.1
AUPE133-25-30□□-□□	132.5	250	300	2.4
AUPE133-25-36□□-□□	132.5	250	360	2.7
AUPE133-25-43□□-□□	132.5	250	430	3.1
AUPE133-30-16□□-□□	132.5	300	160	1.8
AUPE133-30-20□□-□□	132.5	300	200	2.1
AUPE133-30-25□□-□□	132.5	300	250	2.3
AUPE133-30-30□□-□□	132.5	300	300	2.6
AUPE133-30-36□□-□□	132.5	300	360	3.0
AUPE133-30-43□□-□□	132.5	300	430	3.4
AUPE133-30-50□□-□□	132.5	300	500	3.8
AUPE133-36-20□□-□□	132.5	360	200	2.3
AUPE133-36-25□□-□□	132.5	360	250	2.6
AUPE133-36-30□□-□□	132.5	360	300	3.0
AUPE133-36-36□□-□□	132.5	360	360	3.4
AUPE133-36-43□□-□□	132.5	360	430	3.8
AUPE133-36-50□□-□□	132.5	360	500	4.3
AUPE133-43-20□□-□□	132.5	430	200	2.7
AUPE133-43-25□□-□□	132.5	430	250	3.0
AUPE133-43-30□□-□□	132.5	430	300	3.4
AUPE133-43-36□□-□□	132.5	430	360	3.8
AUPE133-43-43□□-□□	132.5	430	430	4.3
AUPE133-43-50□□-□□	132.5	430	500	4.8
AUPE133-50-30□□-□□	132.5	500	300	3.8
AUPE133-50-36□□-□□	132.5	500	360	4.2
AUPE133-50-43□□-□□	132.5	500	430	4.8
AUPE133-50-50□□-□□	132.5	500	500	5.4

*Weight listed is calculated based on rubber feet selection.



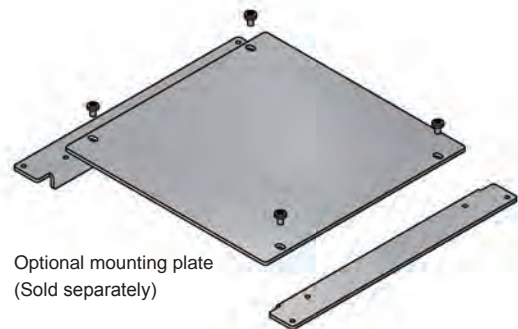
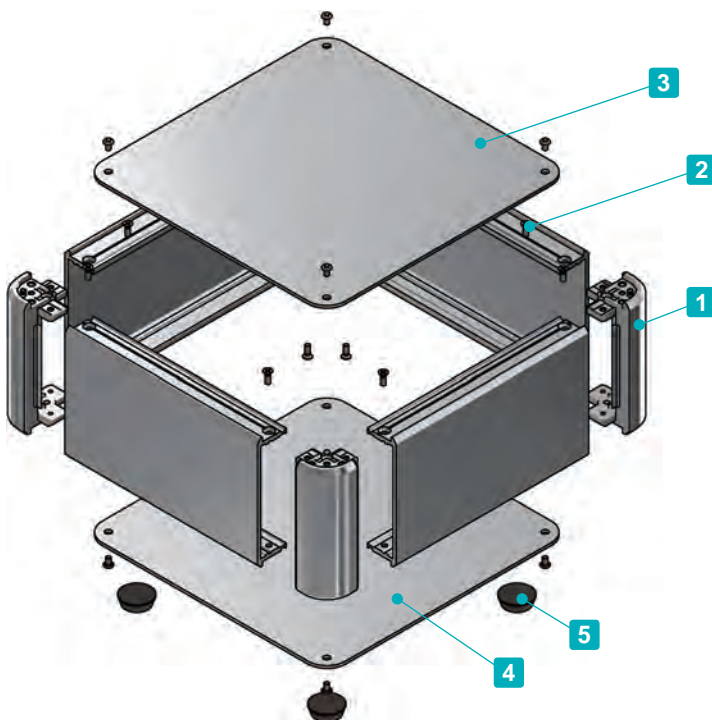
- Round corner designed aluminium control box with 4 extruded aluminium frames.
- A wide selection of 75 different sizes to choose from.
- Aluminium control box is suitable for use as industrial controller, machine controller, audio amplifier, power supply, and so on.
- Feet is selectable between adhesive rubber or aluminium type.

Included screws

- Top / Bottom cover
M3-5 original trapezoid head (plus / hex) & Nickel plated / Black trivalent chromate x 8~16 pcs
- Frame
M3-8 flat head & Nickel plated x 16 pcs
- Aluminium feet
M4-8 bind head & Black trivalent chromate x 4 pcs

Redommeded torque : 0.3 ~ 0.6N • m

* Recommended torque listed is for reference only; actual may differ
Assemble after testing torque.

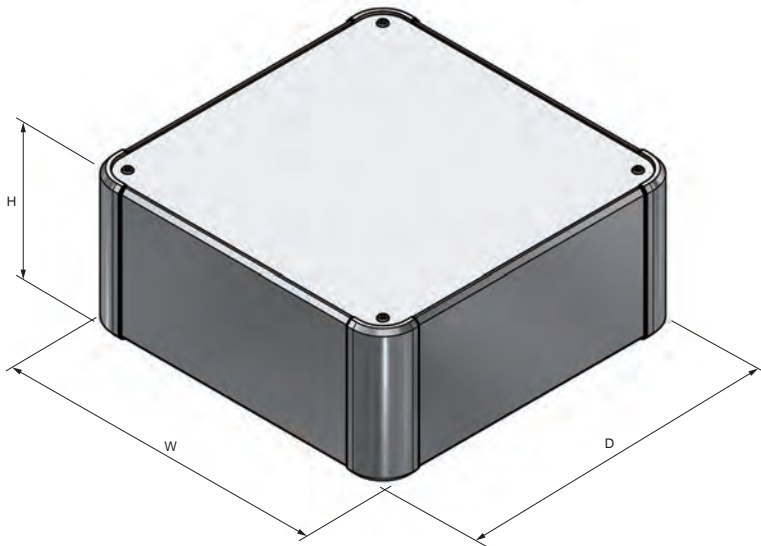


Optional mounting plate
(Sold separately)

Components

No.	Part name	Pcs	Material	Color / Finish
1	Corner block	4	Diecast aluminium ADC12	Silver • Black / Painted (Unfinished inside)
2	Frame	4	Extruded aluminium A6063S-T5	Silver • Black / Anodized
3	Top cover	1	Aluminium A1100P	Silver • Black / Anodized
4	Bottom cover	1	Aluminium A1100P	Silver • Black / Anodized
5	Adhesive Rubber feet : Aluminium feet	4	Synthetic rubber : Aluminium	Black : Silver • Black / Anodized

AUX dimensions



■ DXF/DWG/PDF/STP drawings available on our website.

■ Feet is selectable between rubber or aluminium type.
 ※Rubber and aluminium feet height are different.

Rubber Feet



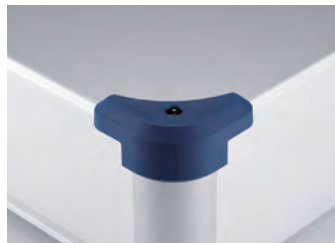
Aluminium Feet



Accessories (Optional parts)



Mounting plate AUC series
See page 179 ~ 180



Corner guard AUCG series
See page 180



Elastomer carrying handle FM200
See website



Aluminium handle OH series
See website



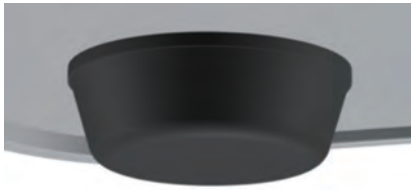
Wall mount support arm MAR series
See page 181 ~ 182

To select Feet/Screw/Color types, follow steps **1** ~ **3** below.

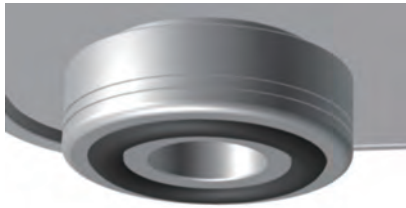
1 Feet Type

*Color of "Aluminum feet" will be the same as bottom cover color.

R Adhesive Rubber (Black / Unfinished)



A Aluminium (Silver / Anodized) (Black / Anodized)



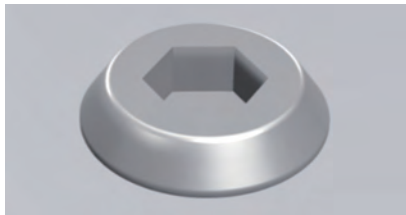
2 Screw Type

*Color of screw will be the same as top • bottom cover color.

P Plus (Silver / Nickel plated) (Black / Black trivalent chromate)



H Hex (Silver / Nickel plated) (Black / Black trivalent chromate)



Hex wrench included.

3 Color Type

Please choose from the color combinations listed below.

S S



S B



B X



B B



To determine a product number, suffix Feet/Screw/Color code at the end of product number.

Product Number

AUX - -

H-W-D dimensions

See page 166 for dimensions / product no.

-

1 Feet **2** Screw

R or A P or H

3 Color

SS • SB • BX • BB

Numbering example :

If looking at "H66 x W250 x D250mm, Feet type R, Screw type H, Color type BX"

➔ **AUX 66-25-25 RH-BX**

Product no. / Dimensions

■ Please suffix feet, screw, and color code at the end of the product number

Product no.	H	W	D	Weight (kg)
AUX 66-16-16□□-□□	66	160	160	0.9
AUX 66-20-16□□-□□	66	200	160	1.0
AUX 66-20-20□□-□□	66	200	200	1.1
AUX 66-25-16□□-□□	66	250	160	1.2
AUX 66-25-20□□-□□	66	250	200	1.3
AUX 66-25-25□□-□□	66	250	250	1.5
AUX 66-30-16□□-□□	66	300	160	1.3
AUX 66-30-20□□-□□	66	300	200	1.5
AUX 66-30-25□□-□□	66	300	250	1.7
AUX 66-30-30□□-□□	66	300	300	2.0
AUX 66-36-20□□-□□	66	360	200	1.7
AUX 66-36-25□□-□□	66	360	250	2.0
AUX 66-36-30□□-□□	66	360	300	2.2
AUX 66-36-36□□-□□	66	360	360	2.6
AUX 66-43-20□□-□□	66	430	200	2.0
AUX 66-43-25□□-□□	66	430	250	2.3
AUX 66-43-30□□-□□	66	430	300	2.6
AUX 66-43-36□□-□□	66	430	360	3.0
AUX 66-43-43□□-□□	66	430	430	3.4
AUX 66-50-30□□-□□	66	500	300	2.9
AUX 66-50-36□□-□□	66	500	360	3.3
AUX 66-50-43□□-□□	66	500	430	3.8
AUX 66-50-50□□-□□	66	500	500	4.3
AUX 66-60-36□□-□□	66	600	360	3.8
AUX 66-60-43□□-□□	66	600	430	4.4
AUX 88-16-16□□-□□	88	160	160	1.0
AUX 88-20-16□□-□□	88	200	160	1.1
AUX 88-20-20□□-□□	88	200	200	1.3
AUX 88-25-16□□-□□	88	250	160	1.3
AUX 88-25-20□□-□□	88	250	200	1.5
AUX 88-25-25□□-□□	88	250	250	1.7
AUX 88-30-16□□-□□	88	300	160	1.5
AUX 88-30-20□□-□□	88	300	200	1.7
AUX 88-30-25□□-□□	88	300	250	1.9
AUX 88-30-30□□-□□	88	300	300	2.2
AUX 88-36-20□□-□□	88	360	200	1.9
AUX 88-36-25□□-□□	88	360	250	2.2
AUX 88-36-30□□-□□	88	360	300	2.4
AUX 88-36-36□□-□□	88	360	360	2.8
AUX 88-43-20□□-□□	88	430	200	2.2
AUX 88-43-25□□-□□	88	430	250	2.5
AUX 88-43-30□□-□□	88	430	300	2.8
AUX 88-43-36□□-□□	88	430	360	3.2
AUX 88-43-43□□-□□	88	430	430	3.6
AUX 88-50-30□□-□□	88	500	300	3.2
AUX 88-50-36□□-□□	88	500	360	3.6
AUX 88-50-43□□-□□	88	500	430	4.1
AUX 88-50-50□□-□□	88	500	500	4.6
AUX 88-60-36□□-□□	88	600	360	4.1
AUX 88-60-43□□-□□	88	600	430	4.7

Product no.	H	W	D	Weight (kg)
AUX133-16-16□□-□□	132.5	160	160	1.3
AUX133-20-16□□-□□	132.5	200	160	1.5
AUX133-20-20□□-□□	132.5	200	200	1.7
AUX133-25-16□□-□□	132.5	250	160	1.7
AUX133-25-20□□-□□	132.5	250	200	1.9
AUX133-25-25□□-□□	132.5	250	250	2.2
AUX133-30-16□□-□□	132.5	300	160	1.9
AUX133-30-20□□-□□	132.5	300	200	2.1
AUX133-30-25□□-□□	132.5	300	250	2.4
AUX133-30-30□□-□□	132.5	300	300	2.7
AUX133-36-20□□-□□	132.5	360	200	2.4
AUX133-36-25□□-□□	132.5	360	250	2.7
AUX133-36-30□□-□□	132.5	360	300	3.1
AUX133-36-36□□-□□	132.5	360	360	3.4
AUX133-43-20□□-□□	132.5	430	200	2.8
AUX133-43-25□□-□□	132.5	430	250	3.1
AUX133-43-30□□-□□	132.5	430	300	3.5
AUX133-43-36□□-□□	132.5	430	360	3.9
AUX133-43-43□□-□□	132.5	430	430	4.4
AUX133-50-30□□-□□	132.5	500	300	3.9
AUX133-50-36□□-□□	132.5	500	360	4.4
AUX133-50-43□□-□□	132.5	500	430	4.9
AUX133-50-50□□-□□	132.5	500	500	5.5
AUX133-60-36□□-□□	132.5	600	360	5.0
AUX133-60-43□□-□□	132.5	600	430	5.7

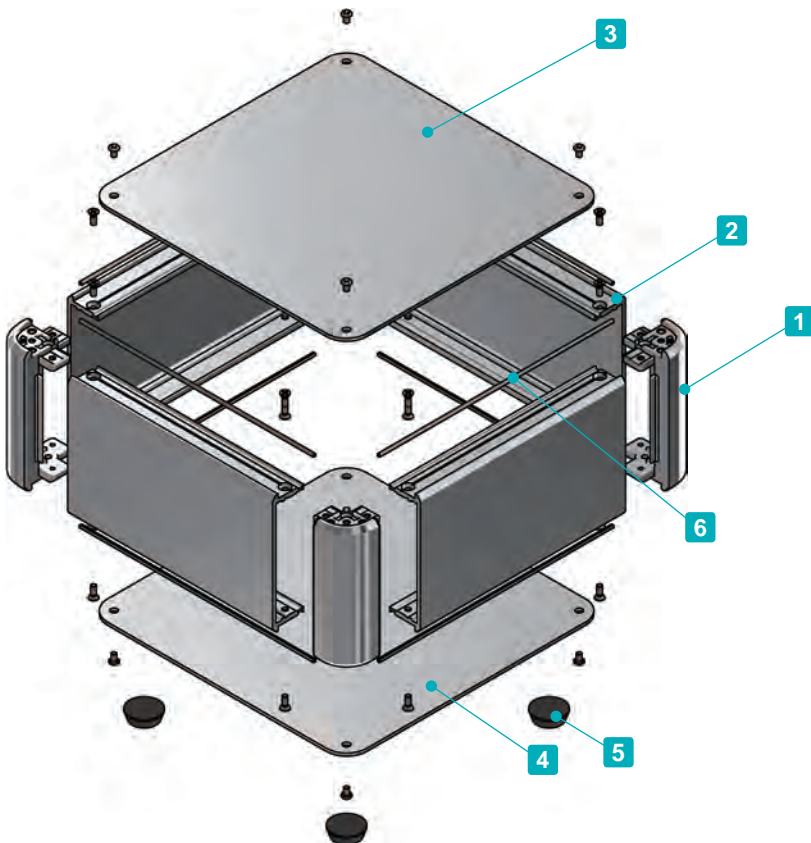
*Weight listed is calculated based on rubber feet selection.



EMC
Shielding
Effects



- Round corner designed aluminium enclosure with 4 extruded aluminium frames.
- Shielding gasket allows the enclosure to be EMC shielded.
- A wide selection of 75 different sizes to choose from.
- Feet is selectable between adhesive rubber or aluminium type.



Included screws

- Top / Bottom cover
M3-5 original trapezoid head (plus / hex) & Nickel plated x 8~16 pcs
- Frame
M3-8 flat head & Nickel plated x 16 pcs
- Aluminium feet
M4-8 bind head & Black trivalent chromate x 4 pcs

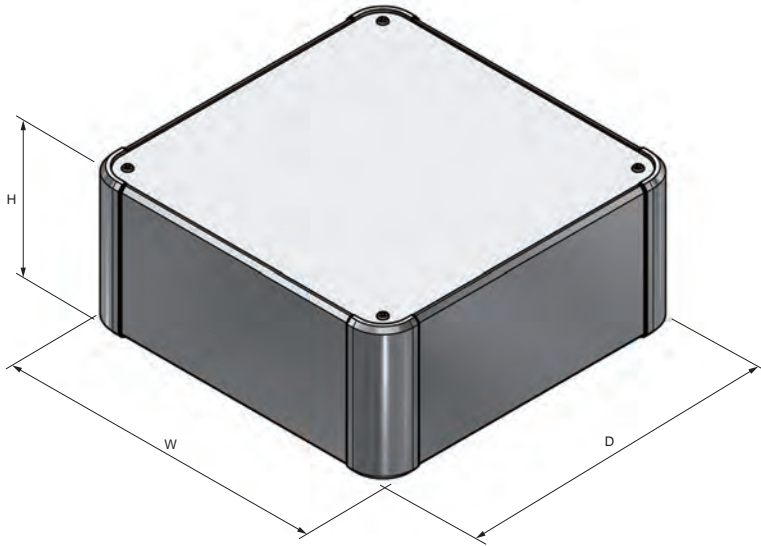
Recommended torque : 0.3 ~ 0.6N • m

* Recommended torque listed is for reference only; actual may differ.
Assemble after testing torque.

Components

No.	Part name	Pcs	Material	Color / Finish
1	Corner block	4	Diecast aluminium ADC12	Silver • Black / Painted (Unfinished inside)
2	Frame	4	Extruded aluminium A6063S-T5	Silver / Painted (Unfinished inside)
3	Top cover	1	Aluminium A1100P	Silver / Painted (Conductive inside)
4	Bottom cover	1	Aluminium A1100P	Silver / Painted (Conductive inside)
5	Adhesive Rubber feet : Aluminium feet	4	Synthetic rubber : Aluminium	Black : Silver / Anodized
6	EMC shielding gasket	8	Conductive fiber UL94V-0	Metallic gray

AUXE dimensions



■ DXF/DWG/PDF/STP drawings available on our website.

■ Feet is selectable between rubber or aluminium type.
 ※Rubber and aluminium feet height are different.

Rubber Feet



Aluminium Feet



■ Install the EMC shielding gasket into the grooves on the frame and corner block.



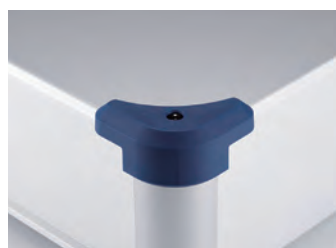
Accessories (Optional parts)



Wall mount support arm MAR series
 See page 181 ~ 182



Mounting plate AUC series
 See page 179 ~ 180



Corner guard AUCG series
 See page 180



Elastomer carrying handle FM200
 See website

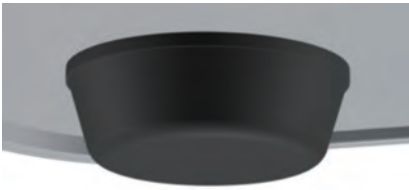


Aluminium handle OH series
 See website

To select Feet/Screw/Color types, follow steps **1** ~ **3** below.

1 Feet Type

R Adhesive Rubber (Black / Unfinished)



A Aluminium (Silver / Anodized)

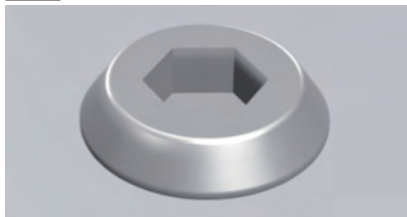


2 Screw Type

P Plus (Silver / Nickel plated)



H Hex (Silver / Nickel plated)



Hex wrench included.

3 Color Type

Please choose from the color combinations listed below.

S S



S B



To determine a product number, suffix Feet/Screw/Color code at the end of product number.

Product Number

AUXE

- -

H-W-D dimensions

See page 170 for dimensions / product no.

-

1 Feet **2** Screw

R or A P or H

3 Color

SS • SB

Numbering example :

If looking at "H133 x W300 x D300mm, Feet type R, Screw type P, Color type SB"

➔ **AUXE 133-30-30 RP-SB**

Product no. / Dimensions

Product no.	H	W	D	Weight (kg)
AUXE 66-16-16□□-□□	66	160	160	0.9
AUXE 66-20-16□□-□□	66	200	160	1.0
AUXE 66-20-20□□-□□	66	200	200	1.1
AUXE 66-25-16□□-□□	66	250	160	1.2
AUXE 66-25-20□□-□□	66	250	200	1.3
AUXE 66-25-25□□-□□	66	250	250	1.5
AUXE 66-30-16□□-□□	66	300	160	1.3
AUXE 66-30-20□□-□□	66	300	200	1.5
AUXE 66-30-25□□-□□	66	300	250	1.7
AUXE 66-30-30□□-□□	66	300	300	2.0
AUXE 66-36-20□□-□□	66	360	200	1.7
AUXE 66-36-25□□-□□	66	360	250	2.0
AUXE 66-36-30□□-□□	66	360	300	2.2
AUXE 66-36-36□□-□□	66	360	360	2.6
AUXE 66-43-20□□-□□	66	430	200	2.0
AUXE 66-43-25□□-□□	66	430	250	2.3
AUXE 66-43-30□□-□□	66	430	300	2.6
AUXE 66-43-36□□-□□	66	430	360	3.0
AUXE 66-43-43□□-□□	66	430	430	3.4
AUXE 66-50-30□□-□□	66	500	300	2.9
AUXE 66-50-36□□-□□	66	500	360	3.3
AUXE 66-50-43□□-□□	66	500	430	3.8
AUXE 66-50-50□□-□□	66	500	500	4.3
AUXE 66-60-36□□-□□	66	600	360	3.9
AUXE 66-60-43□□-□□	66	600	430	4.4
AUXE 88-16-16□□-□□	88	160	160	1.0
AUXE 88-20-16□□-□□	88	200	160	1.1
AUXE 88-20-20□□-□□	88	200	200	1.3
AUXE 88-25-16□□-□□	88	250	160	1.3
AUXE 88-25-20□□-□□	88	250	200	1.5
AUXE 88-25-25□□-□□	88	250	250	1.7
AUXE 88-30-16□□-□□	88	300	160	1.5
AUXE 88-30-20□□-□□	88	300	200	1.7
AUXE 88-30-25□□-□□	88	300	250	1.9
AUXE 88-30-30□□-□□	88	300	300	2.2
AUXE 88-36-20□□-□□	88	360	200	1.9
AUXE 88-36-25□□-□□	88	360	250	2.2
AUXE 88-36-30□□-□□	88	360	300	2.5
AUXE 88-36-36□□-□□	88	360	360	2.8
AUXE 88-43-20□□-□□	88	430	200	2.2
AUXE 88-43-25□□-□□	88	430	250	2.5
AUXE 88-43-30□□-□□	88	430	300	2.8
AUXE 88-43-36□□-□□	88	430	360	3.2
AUXE 88-43-43□□-□□	88	430	430	3.6
AUXE 88-50-30□□-□□	88	500	300	3.2
AUXE 88-50-36□□-□□	88	500	360	3.6
AUXE 88-50-43□□-□□	88	500	430	4.1
AUXE 88-50-50□□-□□	88	500	500	4.6
AUXE 88-60-36□□-□□	88	600	360	4.2
AUXE 88-60-43□□-□□	88	600	430	4.7

■ Please suffix feet, screw, and color code at the end of the product number

Product no.	H	W	D	Weight (kg)
AUXE133-16-16□□-□□	132.5	160	160	1.3
AUXE133-20-16□□-□□	132.5	200	160	1.5
AUXE133-20-20□□-□□	132.5	200	200	1.7
AUXE133-25-16□□-□□	132.5	250	160	1.7
AUXE133-25-20□□-□□	132.5	250	200	1.9
AUXE133-25-25□□-□□	132.5	250	250	2.2
AUXE133-30-16□□-□□	132.5	300	160	1.9
AUXE133-30-20□□-□□	132.5	300	200	2.1
AUXE133-30-25□□-□□	132.5	300	250	2.4
AUXE133-30-30□□-□□	132.5	300	300	2.7
AUXE133-36-20□□-□□	132.5	360	200	2.4
AUXE133-36-25□□-□□	132.5	360	250	2.7
AUXE133-36-30□□-□□	132.5	360	300	3.1
AUXE133-36-36□□-□□	132.5	360	360	3.5
AUXE133-43-20□□-□□	132.5	430	200	2.8
AUXE133-43-25□□-□□	132.5	430	250	3.1
AUXE133-43-30□□-□□	132.5	430	300	3.5
AUXE133-43-36□□-□□	132.5	430	360	3.9
AUXE133-43-43□□-□□	132.5	430	430	4.4
AUXE133-50-30□□-□□	132.5	500	300	3.9
AUXE133-50-36□□-□□	132.5	500	360	4.4
AUXE133-50-43□□-□□	132.5	500	430	5.0
AUXE133-50-50□□-□□	132.5	500	500	5.5
AUXE133-60-36□□-□□	132.5	600	360	5.0
AUXE133-60-43□□-□□	132.5	600	430	5.7

*Weight listed is calculated based on rubber feet selection.



MAR series

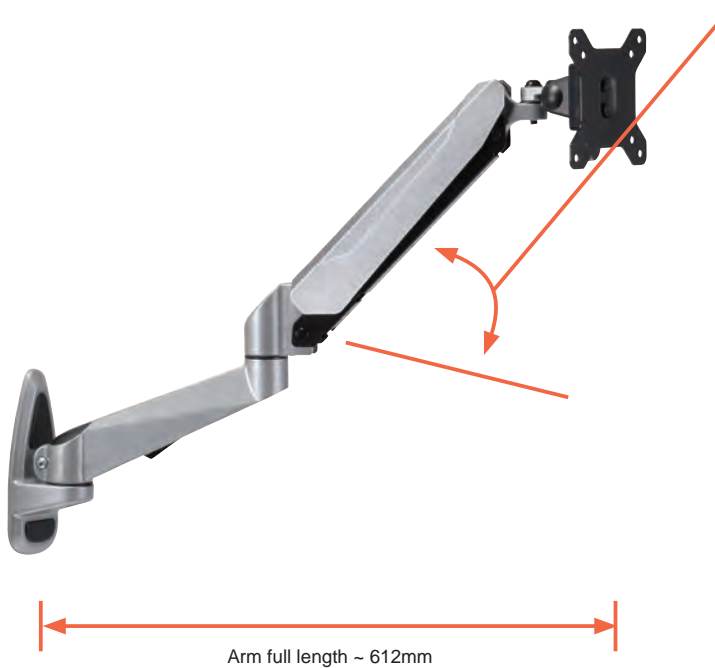
WALL MOUNT SUPPORT ARM



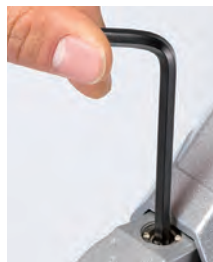
- Wall mount support arm move easily to the preferred positions.
- Suitable for command panel on machinery and touch panel controller. Easy installation onto the wall as well.
- Hole pitch on the monitor bracket is compatible with VESA mount standards. Possible to mount PC display without modification.

MAR specifications

MAR-312W

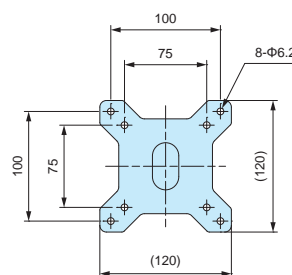


Arm can move up/down direction.

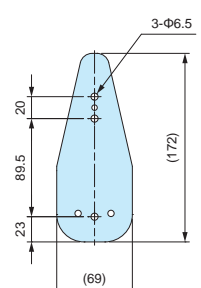


Adjustable bolt for up/down direction on arm is firmly set initially. Adjust the movement according to the installed device.

Pan-Tilt bracket dimensions

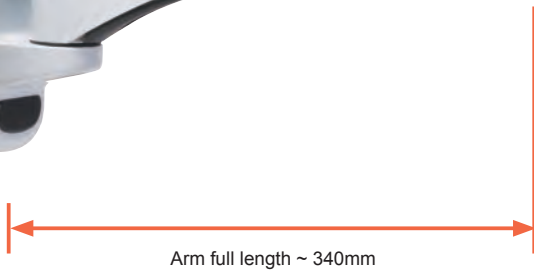
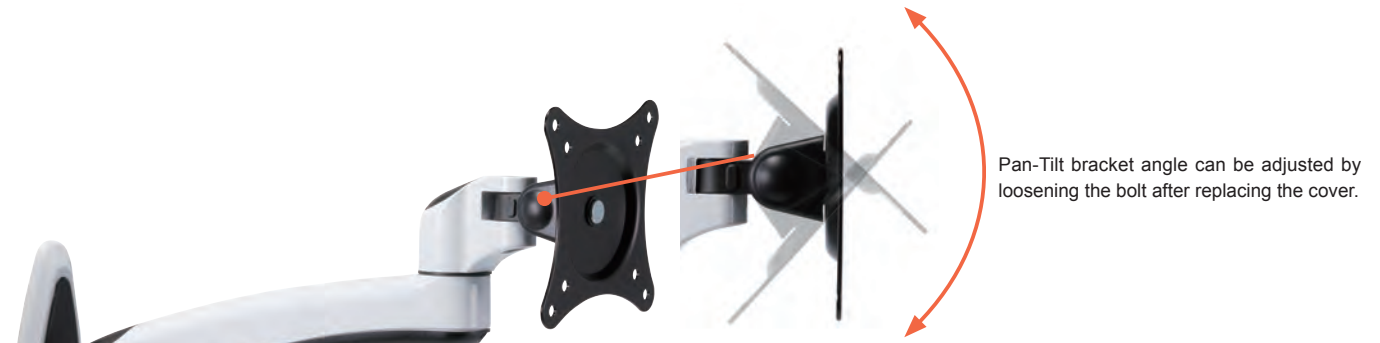


Wall mounting bracket dimensions



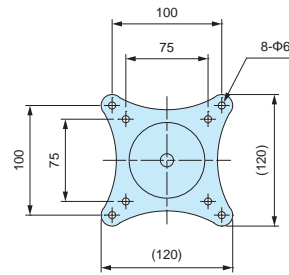
Max load : 6.5kg (including product weight, adjustable bolt firmly locked)
 Material : Steel • Plastic • Aluminium diecast
 *Wall mounting screws included.

MAR-111W

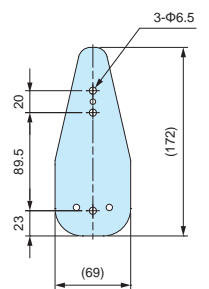


Max load : 8kg (including product weight)
 Material : Steel • Plastic • Aluminium diecast
 *Wall mounting screws included.

Pan-Tilt bracket dimensions



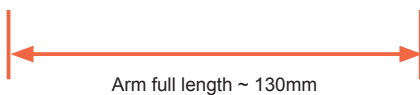
Wall mounting bracket dimensions



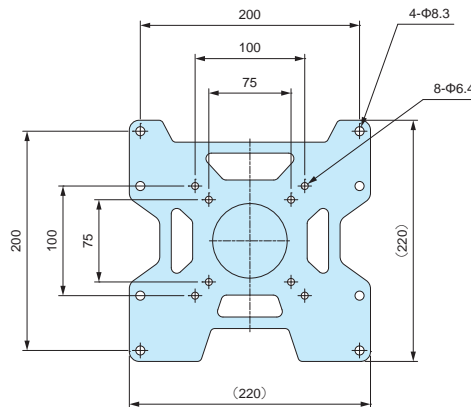
MAR-110W



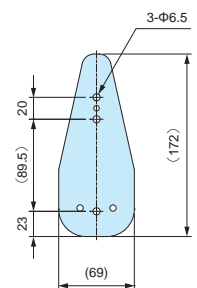
*Pan-Tilt bracket do not move up/down direction.



Pan-Tilt bracket dimensions



Wall mounting bracket dimensions



Max load : 8kg (including product weight)
 Material : Steel • Plastic • Aluminium diecast
 *Wall mounting screws included.

Product no. / Dimensions

Product no.	Arm full length	Arm color	Weight (kg)
MAR-312W	~ 612mm	Metallic gray	2.2
MAR-111W	~ 340mm	White / Black	1.0
MAR-110W	~ 130mm	White / Black	1.0

TLW series

TILT LEG



APPLICATION EXAMPLE

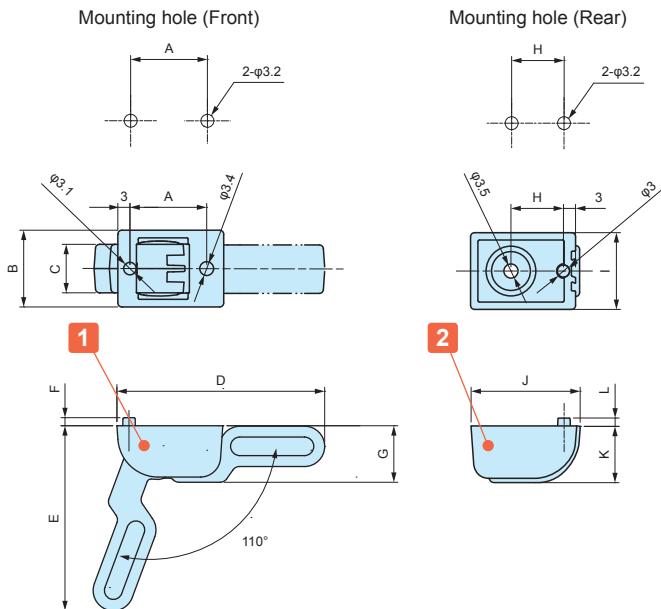
- Double shot injection molded feet with soft and well-designed rounded shape.
- Non-slip design with Elastomer (TPE) pad.
- Available in 3 different color patterns (2 color patterns for TLW-70 models).
- TLW-70E models are exclusively for use with width 185mm or larger bottom covers of EXP • EXPE • EXW • EX • EXH • EXHE aluminium enclosures.

Technical Data
Max load : 7kg

Components

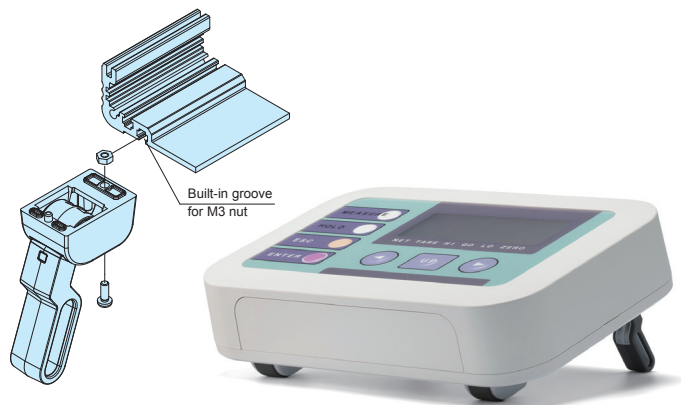
No.	Part name	Pcs	Material	Color / Finish
1	Front foot	2	PC + ABS UL94V-0 • TPE	Black & Black • Navy & Gray • Light gray & Gray
2	Rear foot	2	PC + ABS UL94V-0 • TPE	Black & Black • Navy & Gray • Light gray & Gray
-	Screw	4	Steel M3-8 pan head	Black trivalent chromate
-	Nut	4	Steel M3	Black trivalent chromate

TLW dimensions



- DXF/DWG/PDF/STP drawings available on our website.

- TLW-70E□□ models are for installation (with M3 nut) into the built-in grooves on bottom-covers of EXP • EXPE 20-6, EXH • EXHE • EX 19-4 or larger models.
- Hole milling is required to install TLW-46□□ and TLW-70□□ models.
- Max installation panel thickness : t = 3.5mm



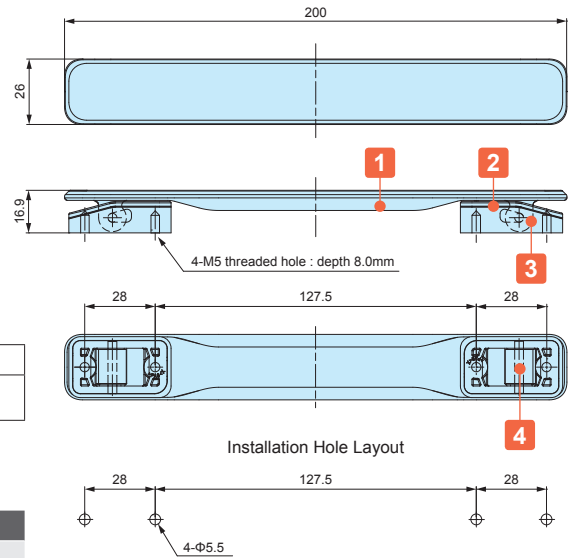
Product no. / Dimensions

Product no.	A	B	C	D	E	F	G	H	I	J	K	L	Color (plastic)	Color (TPE)	Weight (g)
TLW-46BB	19	19	12	51.2	45.9	2	14	13	19	27	14	2	Black	Black	23
TLW46-NG	19	19	12	51.2	45.9	2	14	13	19	27	14	2	Navy	Gray	23
TLW-46LG	19	19	12	51.2	45.9	2	14	13	19	27	14	2	Light gray	Gray	23
TLW-70EBB	-	25	16	75.4	69	3	21.5	-	25	39	21.5	3	Black	Black	59
TLW-70ENG	-	25	16	75.4	69	3	21.5	-	25	39	21.5	3	Navy	Gray	59
TLW-70ELG	-	25	16	75.4	69	3	21.5	-	25	39	21.5	3	Light gray	Gray	59
TLW-70BB	30	25	16	75.4	69	2	21.5	20	25	39	21.5	2	Black	Black	59
TLW-70LG	30	25	16	75.4	69	2	21.5	20	25	39	21.5	2	Light gray	Gray	59

FM200 series ELASTOMER CARRYING HANDLE



DXF/DWG/PDF/STP drawings available on our website.



Comfortable and easy to grip elastomer handle.

Product no. / Details

Product no.	
● Black	● Gray
FM200B	FM200G

Technical Data
Max load : 20kg

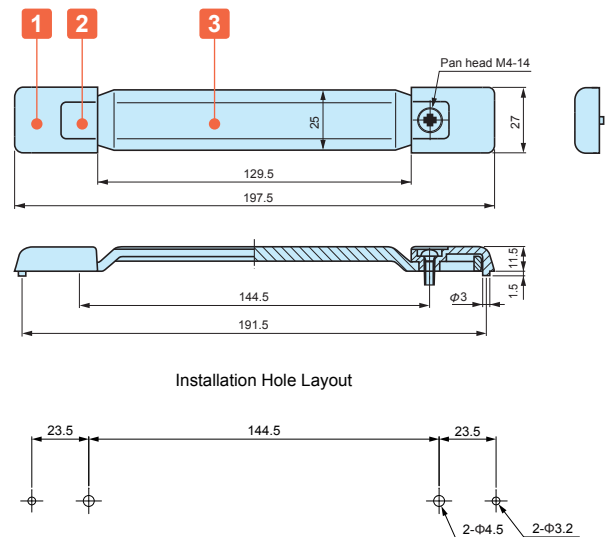
Components

No.	Part name	Pcs	Material	Color / Finish
1	Grip	1	PU	Black • Gray
2	Base	2	PA6	Black • Gray
3	Base cover	2	ABS	Black • Gray
4	Shaft	2	SWCH	Nickel plated
-	Self-tapping screw (Pan head M5-8)	4	Steel	Trivalent chromate

MH series CARRYING HANDLE



DXF/DWG/PDF drawings available on our website.



If chemicals, cutting fluid, etc. adhered to, or come into contact with areas where tensile stress is generated, there is a possibility that cracks may develop due to the synergistic effect of the chemicals and stress.

Technical Data
Max load : 20kg

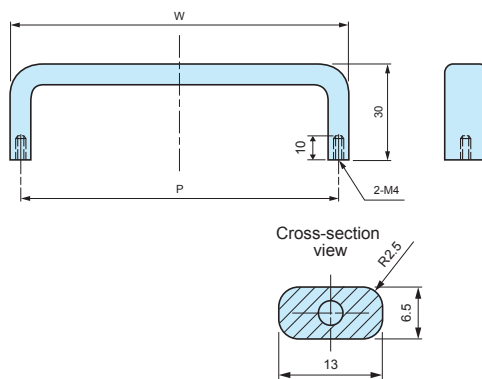
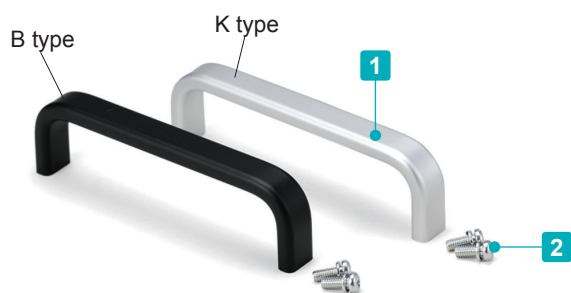
Components

No.	Part name	Pcs	Material	Color / Finish
1	Holder	2	PC + ABS • ABS	Gray • Black
2	Blind cap	2	PP + Elastomer • Elastomer	Gray • Black
3	Grip	1	PP + Elastomer • Elastomer	Gray • Black
-	Screw (Pan head M4-14)	2	Steel	Trivalent chromate
-	Nut (M4)	2	Steel	Trivalent chromate
-	Spring washer	2	Steel	Trivalent chromate

Product no. / Details

Product no.	
● Black	● Gray
MH-197B	MH-197G

OH SERIES ALUMINIUM HANDLE



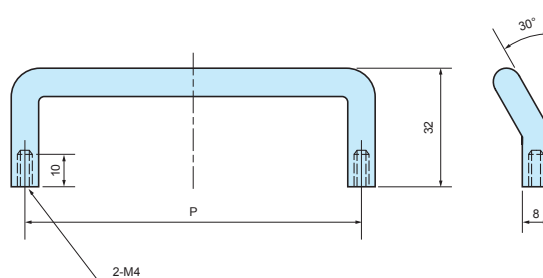
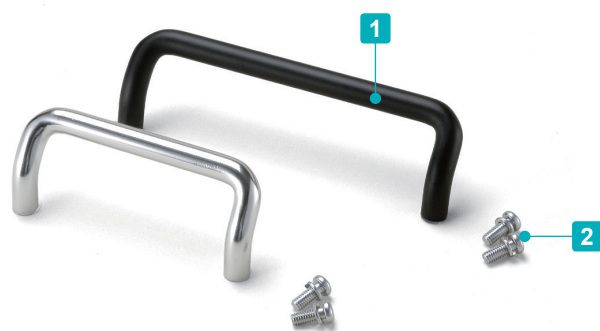
Components

No.	Part name	Pcs	Material	Color / Finish
1	Handle	1	Extruded aluminium A6063S-T5	Matte anodized
2	Screw (M4-10 Pan head with spring washer)	2	Steel	Trivalent chromate

Product no. / Dimensions

Product no.		P	W	Pack of
● Black matte anodized	● Silver matte anodized			
OH- 55B	OH- 55K	55	61.5	2
OH- 70B	OH- 70K	70	76.5	2
OH- 85B	OH- 85K	85	91.5	2
OH-100B	OH-100K	100	106.5	2
OH-120B	OH-120K	120	126.5	2
OH-140B	OH-140K	140	146.5	2
OH-170B	OH-170K	170	176.5	2

KH SERIES ANGLED ALUMINIUM HANDLE



Components

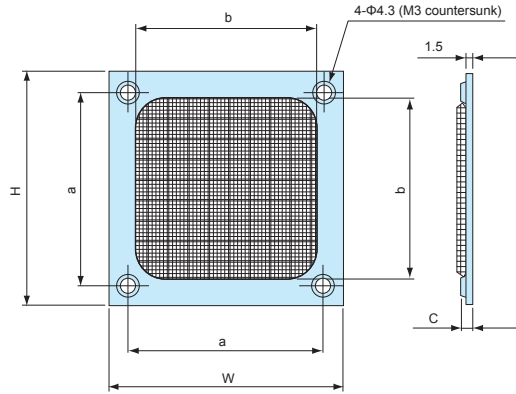
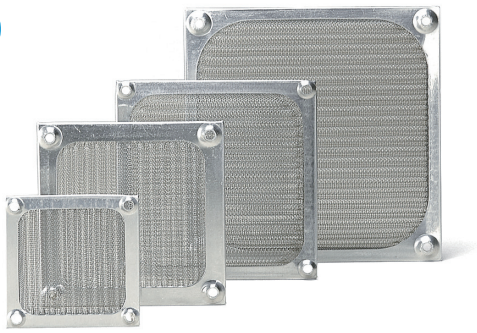
No.	Part name	Pcs	Material	Color / Finish
1	Handle	1	Extruded aluminium A5056S	Polished • Matte anodized
2	Screw (M4-10 Pan head with spring washer)	2	Steel	Trivalent chromate

Product no. / Dimensions

Product no.		P	Pack of
● Silver polished	● Black matte anodized		
KH- 70S	KH- 70B	70	2
KH-100S	KH-100B	100	2

EMF SERIES

EMC SHIELDED FAN DUST FILTER



■ Dust filter for a cooling fan hole as EMC shield purpose.

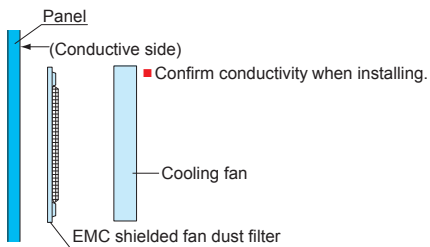
Components

Frame material	Filter material	Mesh
Aluminium / Unfinished	Stainless steel	30

■ Mesh 30 = 30 openings in a 1 square inch area (25.4 x 25.4mm).

Product no. / Dimensions

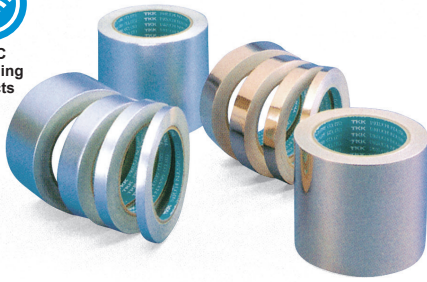
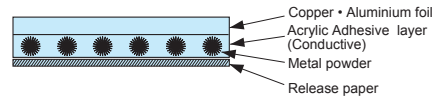
Product no.	W	H	a	b	c	Matching fan size (mm)
EMF- 60	60	60	50	47	3.5	60.0 x 60.0
EMF- 80	83.8	83.8	71.5	69	3.5	80.0 x 80.0
EMF- 90	92	92	82.5	78	3.5	92.0 x 92.0
EMF-120	119	119	104.8	104.8	3.5	120.0 x 120.0



APPLICATION EXAMPLE



CUS,CUL,ALS,ALL SERIES**CONDUCTIVE COPPER • ALUMINIUM FOIL TAPE**

EMC
Shielding
Effects■ **Construction**■ **Characteristic**

Contents	Copper	Aluminium
Foil thickness (µm)	35	50
Adhesive layer thickness (µm)	60	60
Overall thickness (µm)	95	110
Adhesive force (gf/25mm) 180° peel test on SUS	1300	1300
Contact resistance value (Ω/25mm/2kgf)	0.003	0.005

- Flexible copper and aluminium tape.
- Conductive adhesive layer maintains conductivity.
- Copper tape can be soldered onto a metal foil.
- Copper and aluminium tape are UL510 (FR) certified products.

Usage

- Grounding and shielding for enclosures.
- Grounding and shielding for cable harnesses or connectors.
- EMI shielded room.
- Can be used for measuring shield characteristics in an emergency situation.

COPPER FOIL TAPE**Product no. / Dimensions**

Product no.	Width	Length
CUS- 8T	8.0	2m
CUS-13T	13.0	2m
CUS-25T	25.0	2m
CUL- 8T	8.0	20m
CUL-13T	13.0	20m
CUL-25T	25.0	20m
CUL-50T	50.0	20m

ALUMINIUM FOIL TAPE**Product no. / Dimensions**

Product no.	Width	Length
ALS- 8T	8.0	2m
ALS-13T	13.0	2m
ALS-25T	25.0	2m
ALL- 8T	8.0	20m
ALL-13T	13.0	20m
ALL-25T	25.0	20m
ALL-50T	50.0	20m