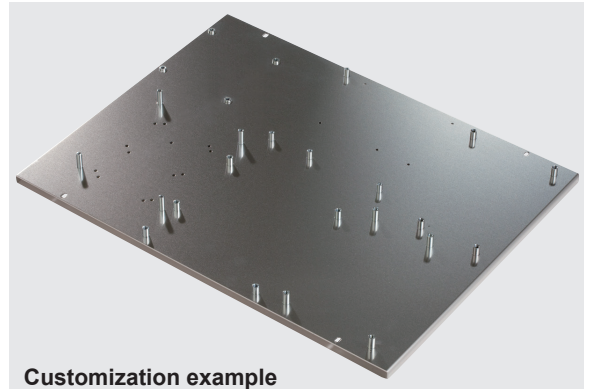
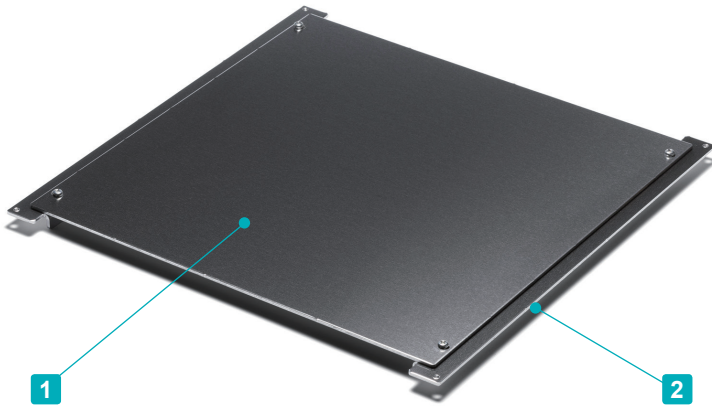


AUC series

MOUNTING PLATE for AU□ series



Customization example

■ See page CUSTOM-9 ~ CUSTOM-11 and our website for further details.

■ Mounting plate for AU, AUP, AUPE, AUX, AUXE, AUG, AUGE and AUGH series.

Components

No.	Part name	Pcs	Material	Finish
1	Mounting plate	1	Aluminium A1050P t=2.0	Unfinished
2	L-bracket	2	Aluminium A1050P t=2.0	Unfinished

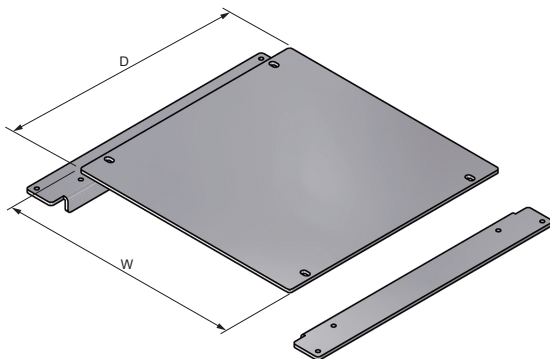
Included screw :

- Corner block M3 flat head : Nickel plated x 4
- Mounting plate M3-5 pan head : Trivalent chromate x 4

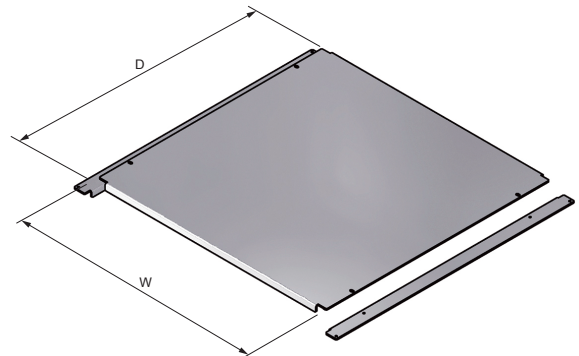
■ DXF/DWG/PDF drawings available on our website.

AUC dimensions

Non-reinforced (N) type



Reinforced (Y) type



Product no. / Details

Product no.	W	D	Enclosure W x D	Reinforce ment	Weight (g)
AUC16-16	108	108	160×160	N	102
AUC16-20	108	148	160×200	N	138
AUC16-25	108	198	160×250	N	181
AUC16-30	108	248	160×300	N	226
NEW AUC16-36	108	308	160×360	N	279
NEW AUC16-43	108	378	160×430	N	340
AUC20-16	148	108	200×160	N	126
AUC20-20	148	148	200×200	N	170
AUC20-25	148	198	200×250	N	224
AUC20-30	148	248	200×300	N	279
AUC20-36	148	308	200×360	N	345
AUC20-43	148	378	200×430	N	422
AUC25-16	198	108	250×160	N	155
AUC25-20	198	148	250×200	N	210
AUC25-25	198	198	250×250	N	278
AUC25-30	198	248	250×300	N	346
AUC25-36	198	308	250×360	N	428
AUC25-43	198	378	250×430	N	524
AUC30-16	248	108	300×160	N	184
AUC30-20	248	148	300×200	N	249
AUC30-25	248	198	300×250	N	331
AUC30-30	248	248	300×300	N	413

Product no.	W	D	Enclosure W x D	Reinforce ment	Weight (g)
AUC30-36	248	308	300×360	N	512
AUC30-43	248	378	300×430	N	626
AUC30-50	248	448	300×500	N	741
NEW AUC36-16	308	108	360×160	N	219
AUC36-20	308	148	360×200	N	297
AUC36-25	308	198	360×250	N	395
AUC36-30	308	248	360×300	N	494
AUC36-36	308	308	360×360	N	581
AUC36-43	308	378	360×430	N	749
AUC36-50	308	448	360×500	N	886
NEW AUC43-16	378	108	430×160	Y	287
AUC43-20	378	148	430×200	Y	353
AUC43-25	378	198	430×250	Y	470
AUC43-30	378	248	430×300	Y	587
AUC43-36	378	308	430×360	Y	728
AUC43-43	378	378	430×430	Y	918
AUC43-50	378	448	430×500	Y	1,082
AUC50-30	448	248	500×300	Y	681
AUC50-36	448	308	500×360	Y	814
AUC50-43	448	378	500×430	Y	1,061
AUC50-50	448	448	500×500	Y	1,257
AUC60-36	548	308	600×360	Y	1,021
AUC60-43	548	378	600×430	Y	1,279

### How to install AUC mounting plate

1. Install L-bracket onto countersunk screw hole on corner block.

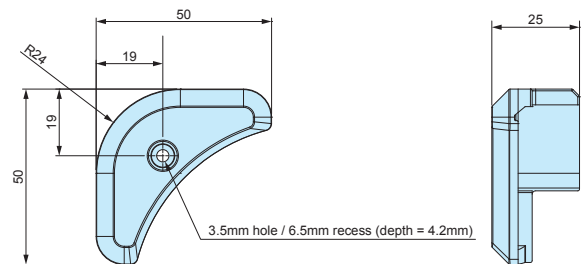
2. Install mounting plate onto L-bracket with screws.



## AUCG series CORNER GUARD for AU□ series ★ ★ NEW



### AUCG dimensions



■ DXF/DWG/PDF drawings available on our website.

- Spare corner guard for AUG and AUGE series. AUCG corner guard can also be installed on AU, AUP, AUPE, AUX, and AUXE series enclosures.
- 4 colors available: Black, Gray, Navy, and Red. Retailed as a pack of 8pcs.

#### Product no.

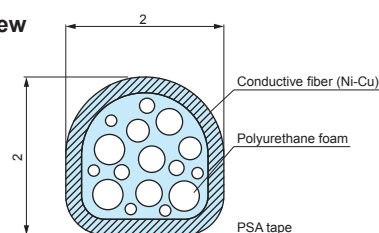
Product no.				Weight (g)	Pack of
● Black	● Gray	● Navy	● Red		
AUCG-1B	AUCG-1G	AUCG-1N	AUCG-1R	9.5	8

## AEG series EMC SHIELDING GASKET for AU□ series ★ ★ NEW



- Spare EMC shielding gasket for AUPE, AUXE, and AUGE series enclosures. Installation on AUP series is possible to allow it to be EMC shielded.

### Cross section view



#### Product no.

Product no.	Material	Color	Sales unit
AEG-1000	Conductive fiber UL94V-0	Metallic gray	1000mm x 1 pc