

NOTICE

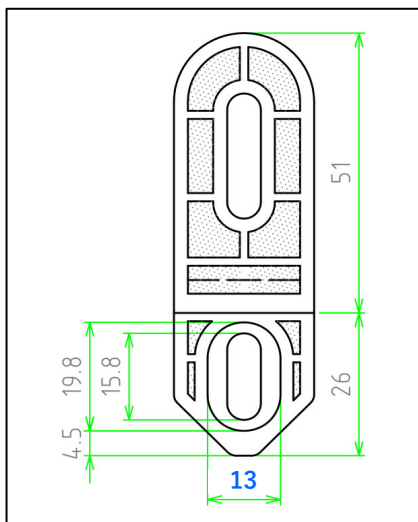
BFL series Mounting Bracket Changes to Dimensions

■ Affected series / models

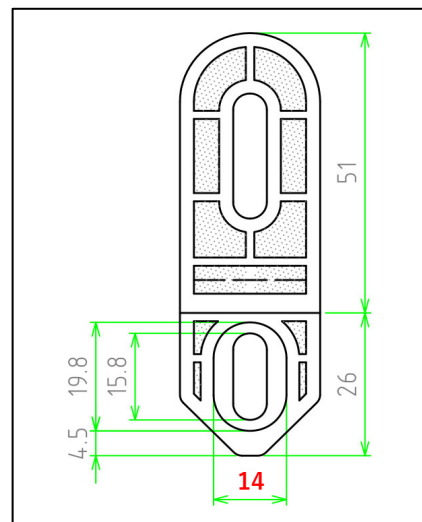
Product no.
BFL-2G
BFL-2-21G
BFL-2S
BFL-2-21S

■ Change : Dimensions

Current (Old) Dimensions



New Dimensions



- Purpose: To ensure consistent quality throughout via streamlined supply chain and materials.
- Effective Date : Once current inventory has been depleted.
- Note 1: No change in product's installation.
- Note 2: No changes to item product number or pricing.

Thank you for your understanding.
For more information, kindly contact us at: sales@takachi-el.co.jp