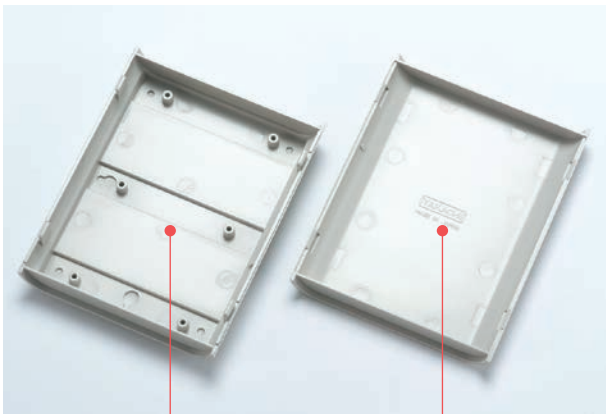




Technical Data
Protection class: IP40
Operating temperature: -10°C ~ +60°C



1

2

- Rounded shape design.
- Suitable for wall-mount communication device usage.
- Snap on / off cover. No screws are required.

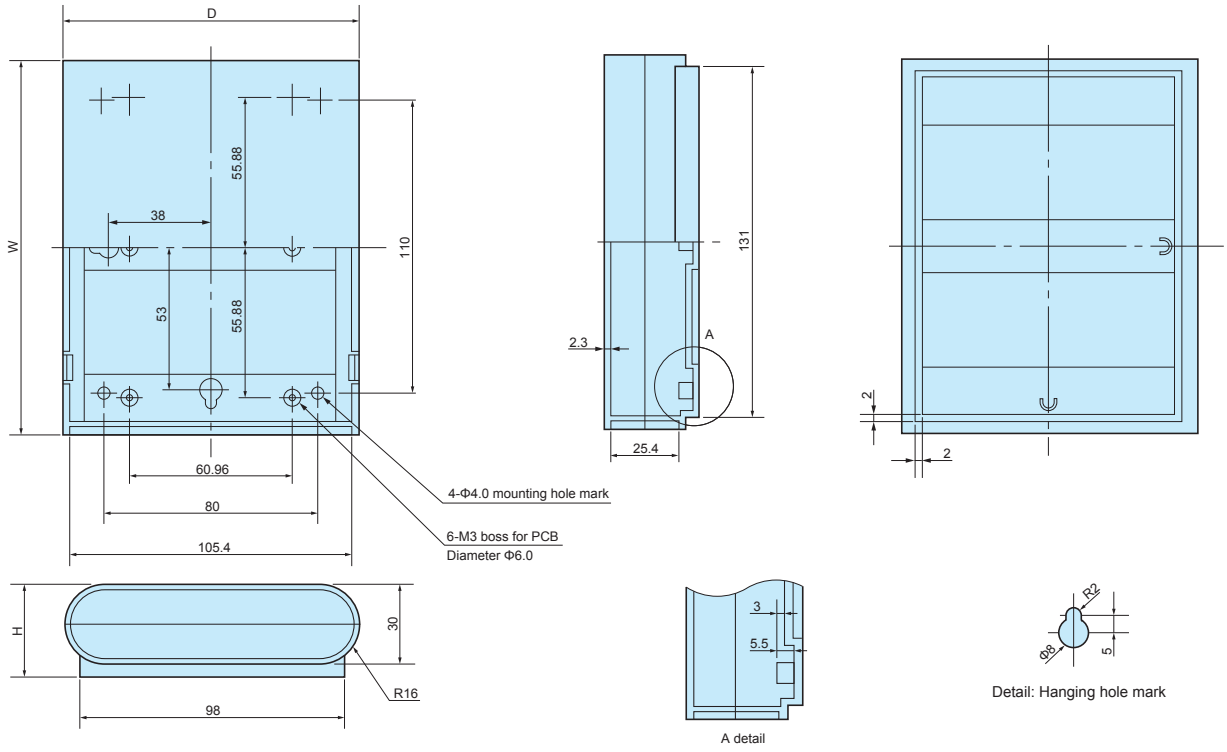
Components

No.	Part name	Material	Color / Finish
1	Cover	ABS UL94HB	Light gray • Dark gray • White
2	Base	ABS UL94HB	Light gray • Dark gray • White

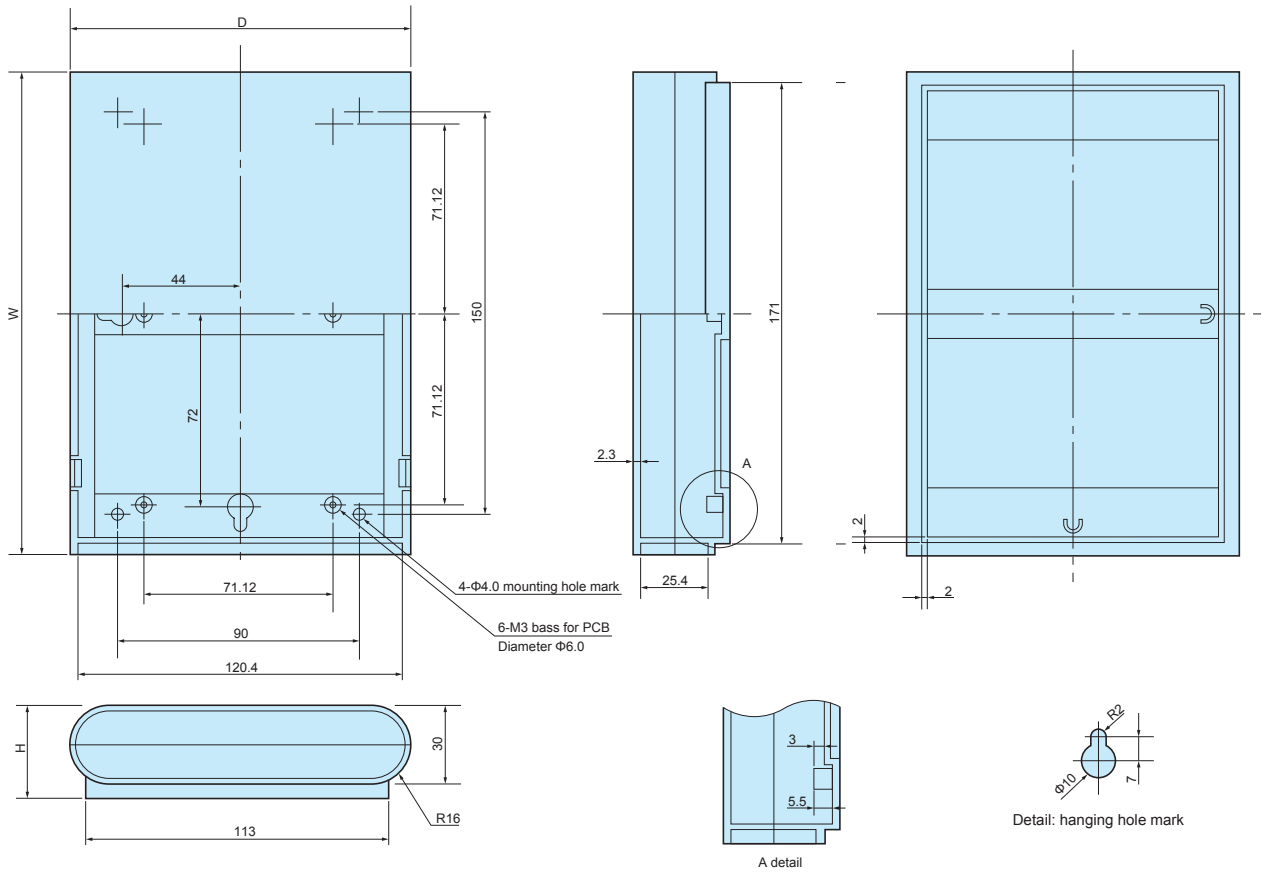
SU dimensions

DXF/DWG/PDF drawings available on our website.

SU-140



SU-180



Product no. / Dimensions

Product no.			Dimensions			Weight (g)
● Light gray	● Dark gray	● White	W	H	D	
SU-140G	SU-140C	SU-140W	140	35	110	100
SU-180G	SU-180C	SU-180W	180	35	125	140