

CF SERIES

SLOPED ENCLOSURE



- Simple designed box with 10° angle of inclination for operational ease.
- Both the Slide or Screwed panel side can be utilized as a front panel.
- Rubber feet can be attached in any position based on your design requirements.



Low-cost digital printed overlay customization is available with a short lead time. Refer to page Custom 1 ~ 2 for more details.

Components

No.	Part name	Pcs	Material	Color / Finish
1	Side plate	2	ABS UL94V-0	Black • Gray
2	Front frame	1	Extruded aluminium A6063S-T5	Black • Silver / Anodized
3	Rear frame	1	Extruded aluminium A6063S-T5	Black • Silver / Anodized
4	Slide panel	1	Aluminium A1100P t=1.5	Black / Painted
			Aluminium A1100P t=1.5	Silver / Hairline brushed & Anodized
5	Screwed panel	1	Aluminium A1100P t=1.5	Black / Painted
			Aluminium A1100P t=1.5	Silver / Hairline brushed & Anodized
6	Screw	12	Steel	Black trivalent chromate • Nickel plated
7	Rubber feet	4	Rubber	Black

■ Please peel off the protection sheet cover on both panels before application.

Product no. / Dimensions

Product no.		W	H1	H2	D	a	Weight (kg)
● Black	● Gray/Silver						
CF 7-11BB	CF 7-11GS	70	28.4	48.3	111	57	0.15
CF11-11BB	CF11-11GS	110	28.4	48.3	111	97	0.21
CF16-11BB	CF16-11GS	160	28.4	48.3	111	147	0.29
CF22-11BB	CF22-11GS	220	28.4	48.3	111	207	0.38
CF28-11BB	CF28-11GS	280	28.4	48.3	111	267	0.47
CF12-18BB	CF12-18GS	120	32.4	66.2	181.3	104	0.38
CF18-18BB	CF18-18GS	180	32.4	66.2	181.3	164	0.53
CF27-18BB	CF27-18GS	270	32.4	66.2	181.3	254	0.76
CF35-18BB	CF35-18GS	350	32.4	66.2	181.3	334	0.97
CF43-18BB	CF43-18GS	430	32.4	66.2	181.3	414	1.17

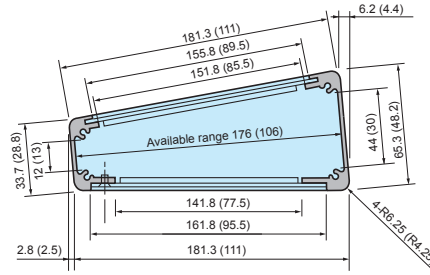
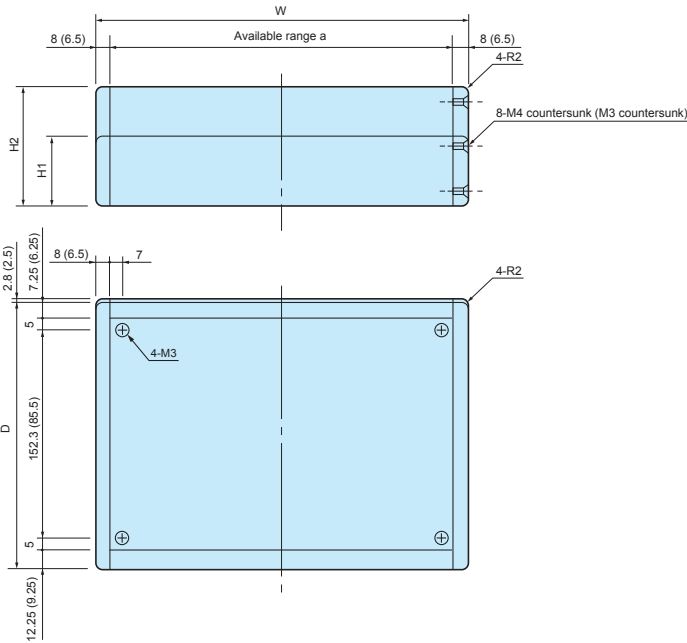
Product no.		W	H1	H2	D	a	Weight (kg)
● Black	● Gray/Silver						
CF15-23BB	CF15-23GS	150	39.6	79.7	230.9	131	0.52
CF21-23BB	CF21-23GS	210	39.6	79.7	230.9	191	0.7
CF27-23BB	CF27-23GS	270	39.6	79.7	230.9	251	0.88
CF36-23BB	CF36-23GS	360	39.6	79.7	230.9	341	1.14
CF45-23BB	CF45-23GS	450	39.6	79.7	230.9	431	1.41
CF21-28BB	CF21-28GS	210	49.8	98.6	281	191	0.93
CF28-28BB	CF28-28GS	280	49.8	98.6	281	261	1.17
CF36-28BB	CF36-28GS	360	49.8	98.6	281	341	1.46
CF45-28BB	CF45-28GS	450	49.8	98.6	281	431	1.77

CF dimensions

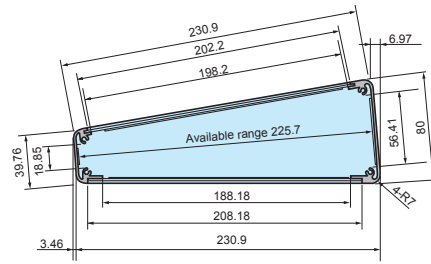
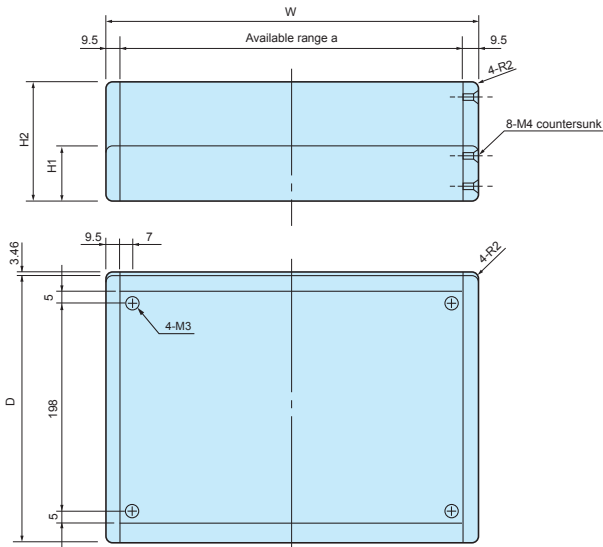
DXF/DWG/PDF drawings available on our website.

CF□-11 * () value = CF□-11 dimensions

CF□-18



CF□-23



CF□-28

