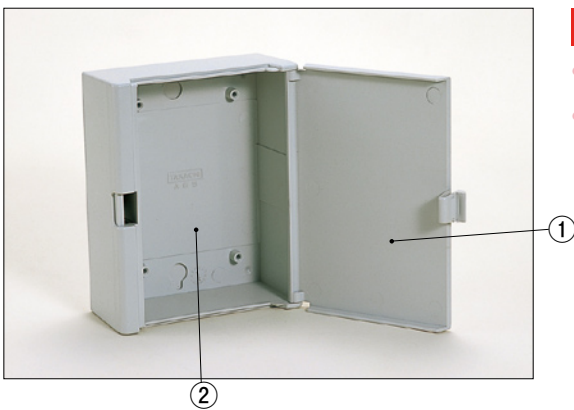
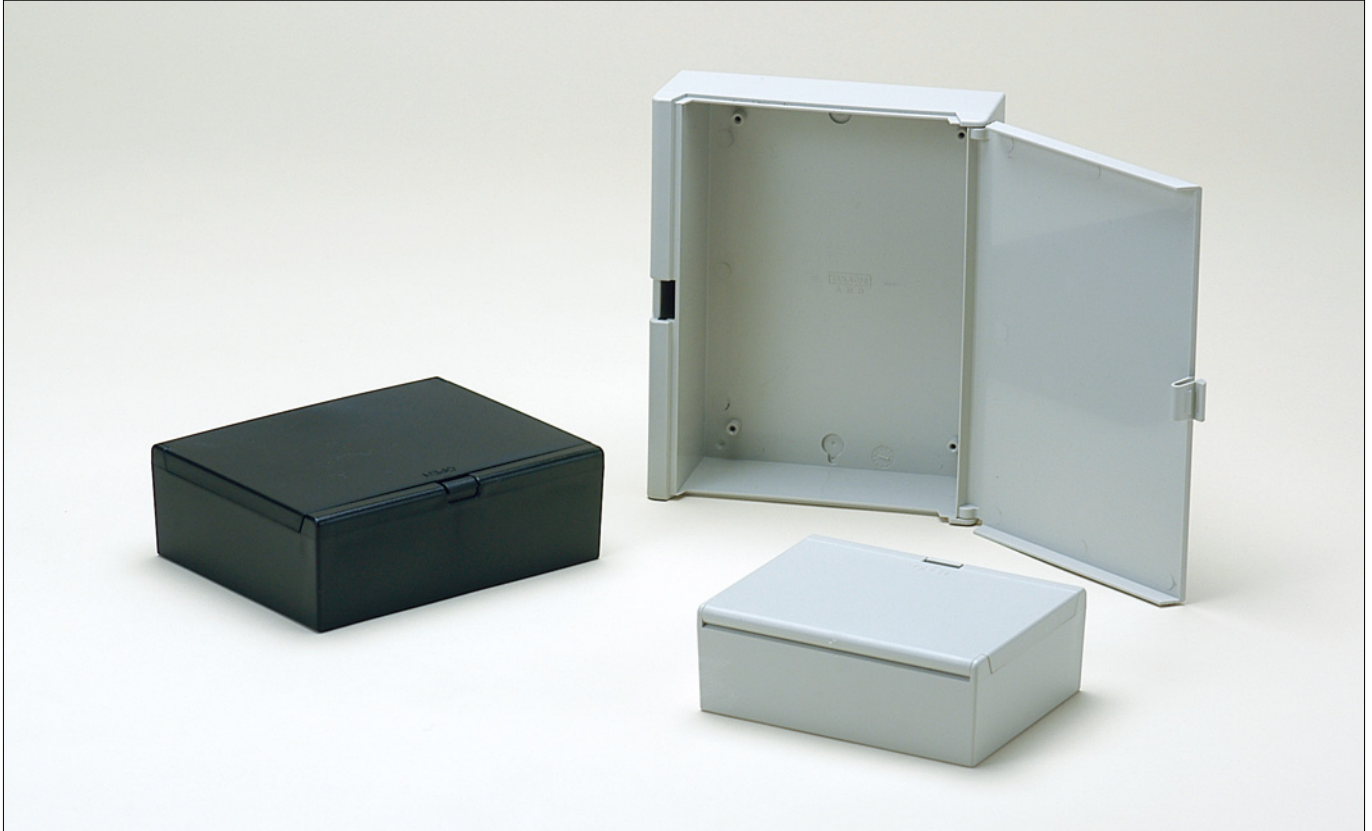


OP SERIES

OP OPEN-CLOSING PLASTIC BOX



FEATURE

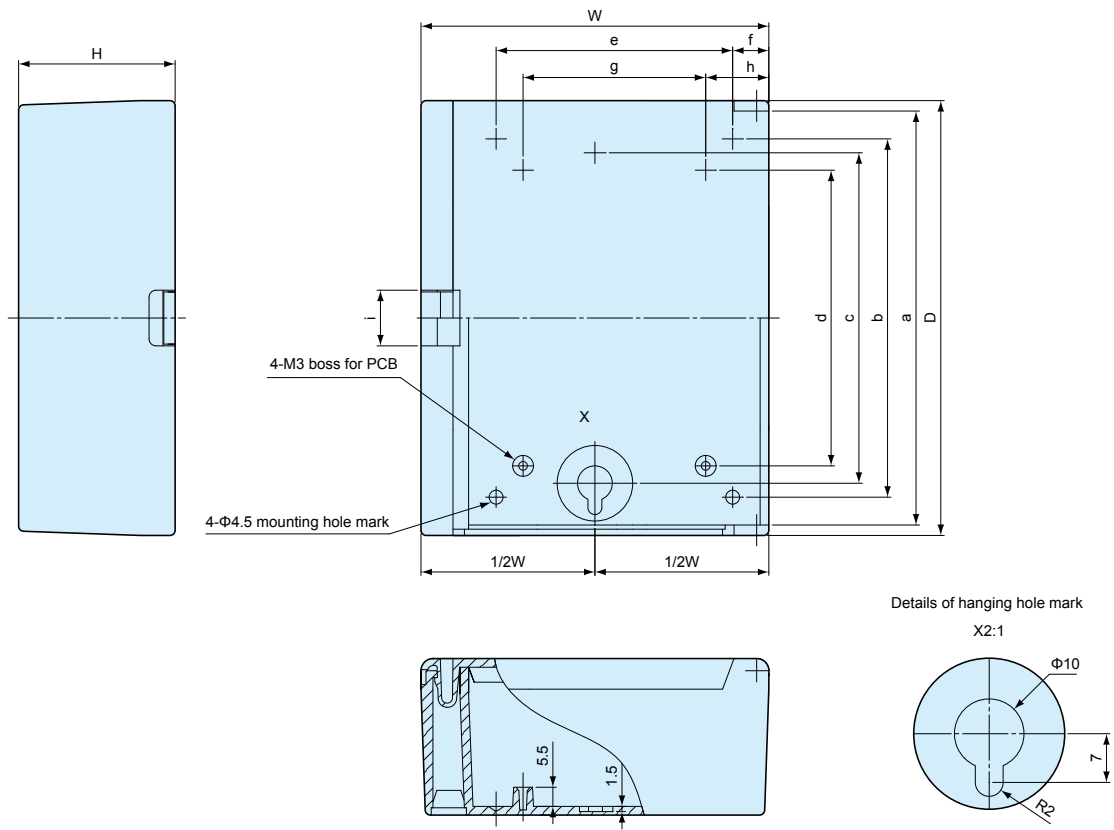
- Easy to open-close by hinge.
- General purpose case for desk-top use, wall-mount.

Components

Ref. #	Part name	Pcs	Material	Color / Finish
1	Top cover	1	ABS (UL94HB)	Light gray · Black
2	Base	1	ABS (UL94HB)	Light gray · Black

OP Dimensions

• CAD data is downloadable from our web.



Color Type

Color code	Color
G	Light gray
B	Black

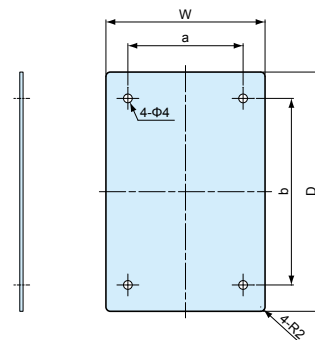
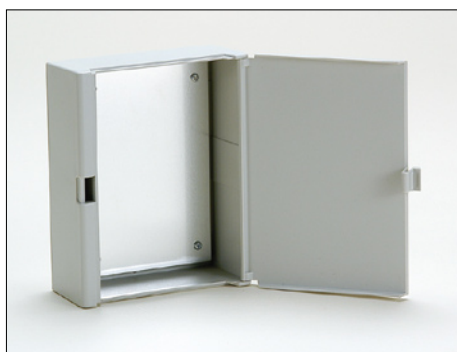
Part no. / Dimensions

• Please suffix color code at the end of part number □ when ordering OP series.

Part no.	W	H	D	a	b	c	d	e	f	g	h	i	Weight(g)
OP-125□	100	45	125	119	103	95	85	68	10.4	52.5	18.6	16	130
OP-150□	120	50	150	144	128	120	110	88	10.4	72.5	18.6	16	185
OP-180□	145	55	180	174	158	150	140	110	12.5	98	18.6	18	275

OP OPTIONAL PARTS

OPP Mounting plate



Part no. / Dimensions

Part no.	W	D	a	b	Material	Finish	Box
OPP-125	72.5	109	52.5	85	Aluminium t1.5	Unfinished	OP-125
OPP-150	92.5	134	72.5	110	Aluminium t1.5	Unfinished	OP-150
OPP-180	115.5	164	98	140	Aluminium t1.5	Unfinished	OP-180

• Include M3×6 tapping screw × 4