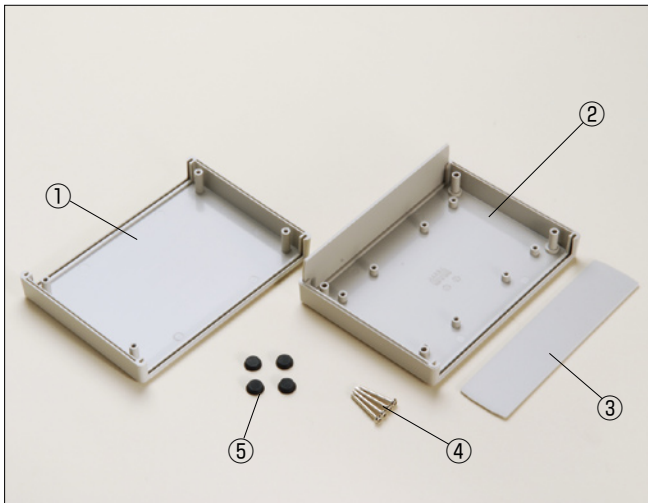


PW SERIES

PW PLASTIC CASE



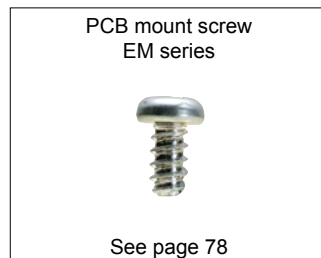
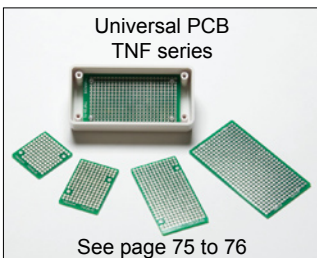
FEATURE

- Flat panel, easy for hole milling.
- Please refer to P75-76 to find suitable PCB.

Components

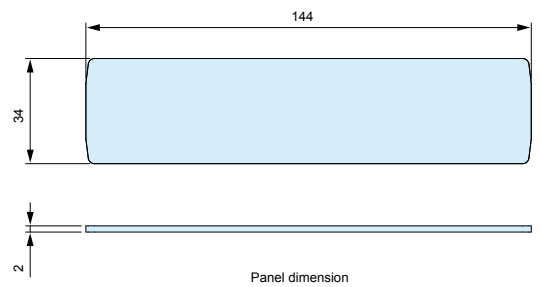
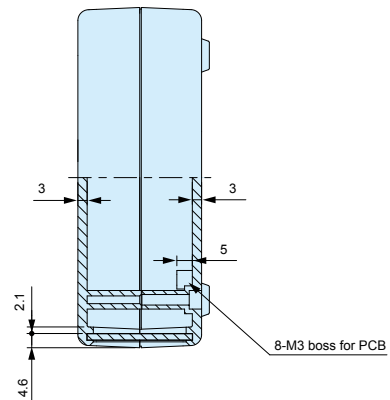
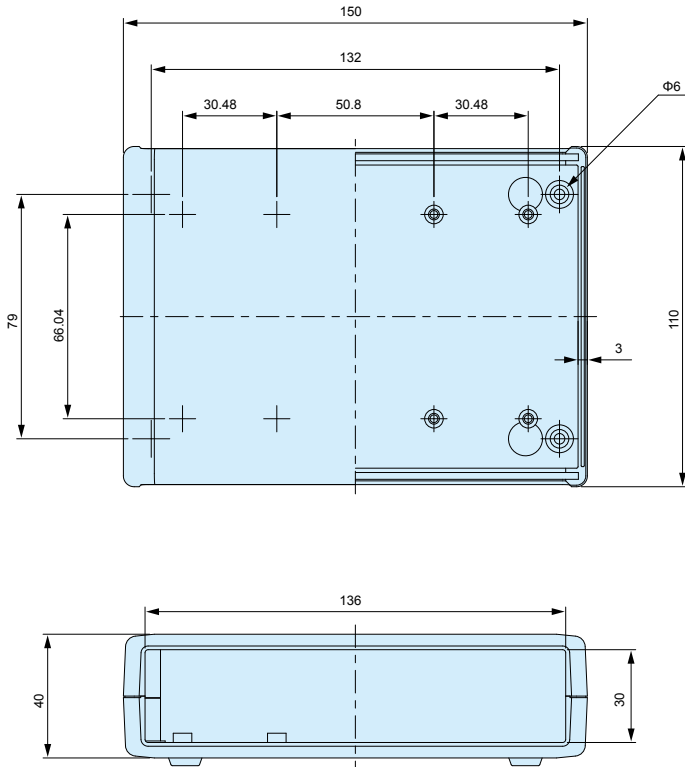
Ref. #	Part name	Pcs	Material	Color / Finish
1	Top cover	1	ABS (UL94HB)	Light gray · Black
2	Bottom cover	1	ABS (UL94HB)	Light gray · Black
3	Panel	2	ABS (UL94HB)	Light gray · Black
4	Screw	4	M3×25 Steel	Nickel plated · Black trivalent chromate
5	Rubber feet	4	Rubber	Black

Accessories (Optional parts)



PW Dimensions

• CAD data is downloadable from our web.



Color Type

Color code	Color
B	Black
S	Light gray

Part no. / Dimensions

Part no.	W	H	D	Weight(g)
PW15-4-11S	150	40	110	155
PW15-4-11B	150	40	110	155