

MB SERIES

FEATURE

- Simple and low-cost aluminium case.
- Available in 43 sizes.

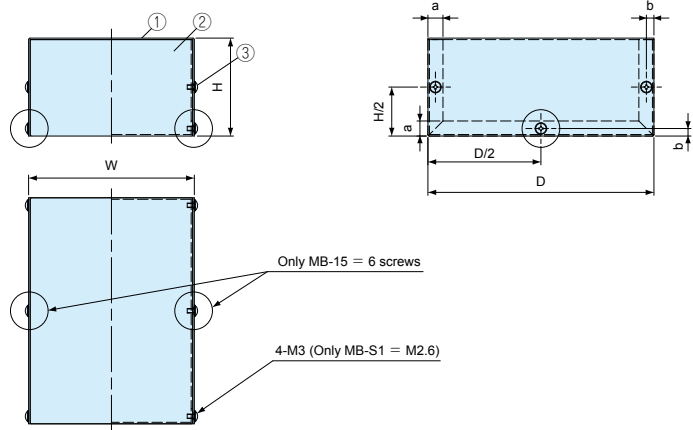
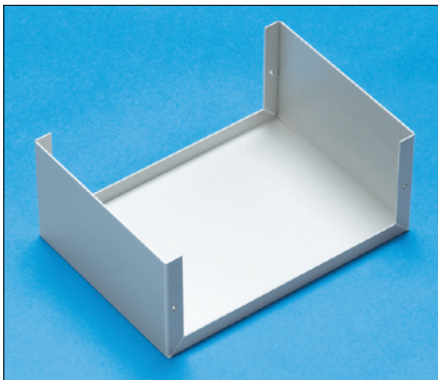
MB ALUMINIUM CASE



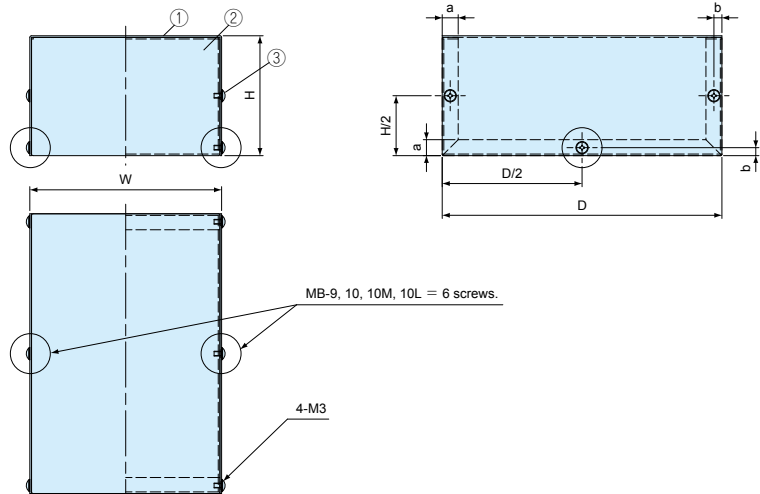
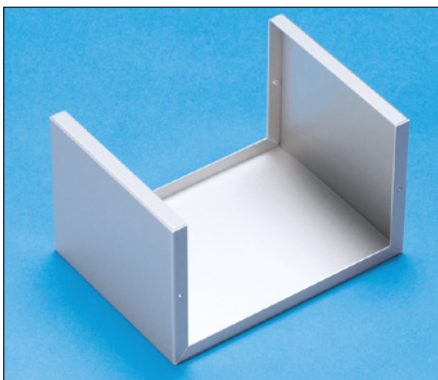
MB Aluminium case dimensions

• CAD data is downloadable from our web.

Base type A



Base type B



Components

Ref. #	Part name	Pcs	Material	Color / Finish
1	Cover	1	Aluminium	Silver painted
2	Base	1	Aluminium	Silver painted
3	Screw	4 ~ 6	Brass M3 · M2.6	Nickel plated
	Washer	4 ~ 6	Brass M3 · M2.6	Nickel plated

Part no. / Dimensions

Part no.	W	H	D	a	b	Thickness(t)	Screw pcs	Base type	Weight (g)
MB-S1	35	25	45	10	5	1.0	4	A	23
MB-M1	40	30	55	10	5	1.0	4	A	32
MB-1	50	40	70	10	5	1.0	4	A	51
MB-2S	60	45	85	10	5	1.0	4	A	69
MB-2	70	50	100	10	5	1.0	4	A	92
MB-3	90	60	125	10	5	1.0	4	A	142
MB-4	110	65	150	10	5	1.0	4	A	192
MB-5S	120	50	175	10	5	1.0	4	B	200
MB-5	120	75	175	10	5	1.0	4	B	252
MB-6S	140	50	200	10	5	1.0	4	B	250
MB-6	140	75	200	10	5	1.0	4	B	312
MB-7S	160	60	250	10	5	1.0	4	B	358
MB-7	160	85	250	10	5	1.0	4	B	431
MB-8	190	85	300	10	5	1.2	4	B	673
MB-9	210	90	350	10	5	1.2	6	B	843
MB-10	230	100	400	10	5	1.2	6	B	1,051
MB-10M	280	120	430	12	6	1.5	6	B	1,713
MB-10L	330	140	480	12	6	1.5	6	B	2,252
MB-11S	60	50	120	10	5	1.0	4	A	97
MB-11	80	55	150	10	5	1.0	4	A	144
MB-12S	80	70	180	10	5	1.0	4	A	190
MB-12	100	65	200	10	5	1.0	4	A	228
MB-13	110	75	250	10	5	1.0	4	B	317
MB-14S	50	45	160	10	5	1.0	4	A	103
MB-14	55	40	250	10	5	1.0	4	A	153
MB-15	75	55	325	10	5	1.0	6	A	270
MB-21S	80	70	90	10	5	1.0	4	A	111
MB-21	100	90	120	10	5	1.0	4	B	189
MB-22	120	100	160	10	5	1.0	4	B	277
MB-23	150	120	200	10	5	1.2	4	B	494
MB-24	180	140	230	10	5	1.2	4	B	665
MB-25	210	160	260	12	6	1.5	4	B	1,091
MB-26	240	180	290	12	6	1.5	4	B	1,381
MB-31	80	55	80	10	5	1.0	4	A	91
MB-32	140	60	140	10	5	1.0	4	B	214
MB-33	200	80	200	10	5	1.2	4	B	492
MB-51	80	25	110	10	5	1.0	4	A	89
MB-52	110	30	140	10	5	1.0	4	A	129
MB-53	130	30	180	10	5	1.0	4	A	183
MB-54	150	30	210	10	5	1.0	4	A	236
MB-61	90	25	90	10	5	1.0	4	A	72
MB-62	120	25	120	10	5	1.0	4	A	115
MB-63	150	30	150	10	5	1.0	4	A	176

Accessories (Optional parts)

