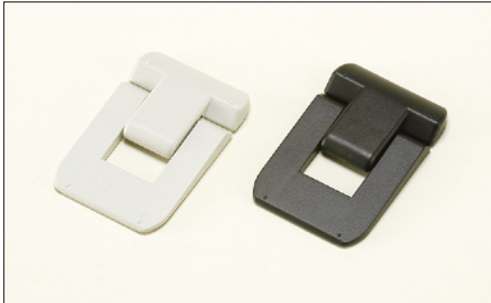
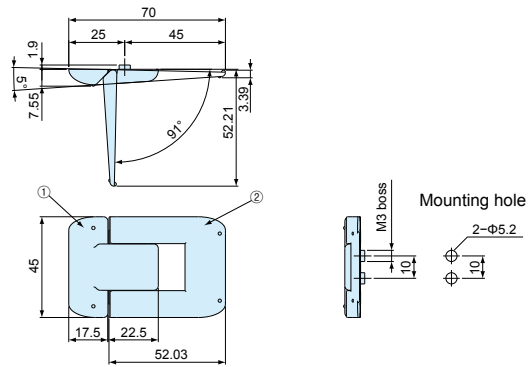


# TI·TL SERIES

## TI TILT STAND



### Dimensions



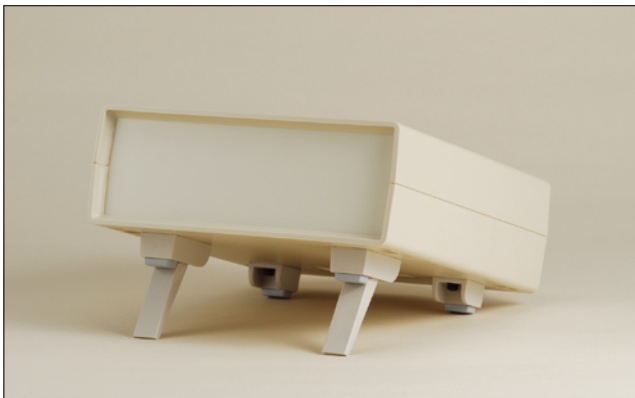
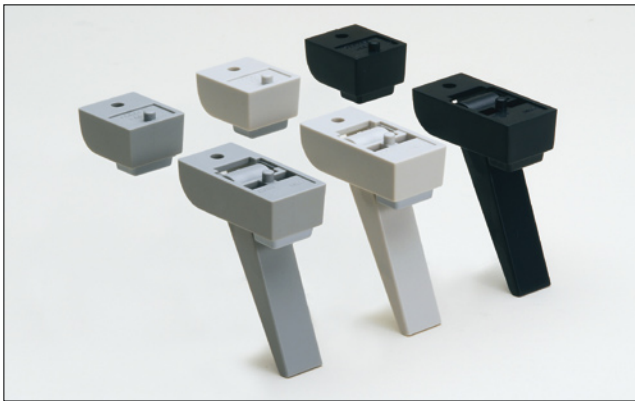
### Components

Ref. #	Part name	Pcs	Material	Color / Finish
1	Base	1	ABS	Black · Light gray
2	Leg	1	ABS	Black · Light gray
—	Screw	2	M3 × 6 Tapping screw	Trivalent chromate

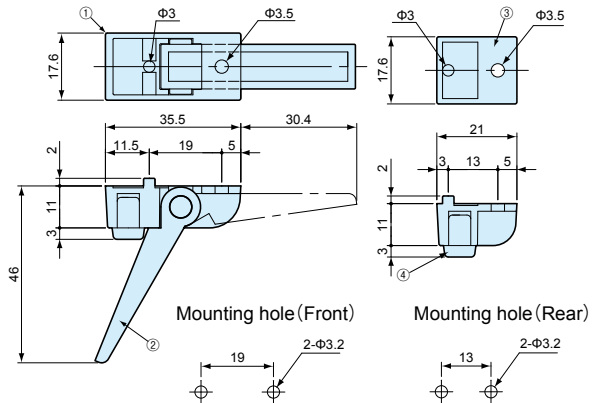
### Part no. / Dimensions

Part no.	Color	Unit
TI-70B	Black	1set
TI-70S	Light gray	1set

## TL-45 TILT LEG



- EPDM (Black color) may bleed.
- Maximum loading weight 7kg.



### Components (1set)

Ref. #	Part name	Pcs	Material	Color / Finish
1	Front feet	2	ABS	Black · Gray · Light gray
2	Leg	2	ABS	Black · Gray · Light gray
3	Rear feet	2	ABS	Black · Gray · Light gray
4	Rubber feet	4	EPDM	Black · Gray
—	Screw M3×8	4	Steel	Black trivalent chromate

### Part no. / Dimensions

Part no.	Color	Rubber feet Color	Unit
TL-45BB	Black	Black	1set
TL-45GG	Gray	Gray	1set
TL-45SG	Light gray	Gray	1set